

## IMPORTANT

*For all operations on the AIRBAG or PRETENSIONERS, refer to section 88.*

*Take care not to cause impacts under the body and take the necessary precautions to protect the computers (see section AIRBAG).*

*Renew the steering wheel mounting bolt each time it is removed.*

## HEAT SHIELDS

*Heat shields must be replaced, whether this is by mechanical fitters or bodywork fitters.*

## TIGHTENING TORQUES

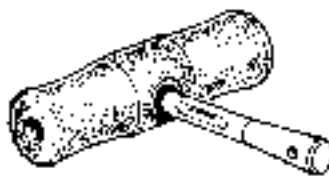
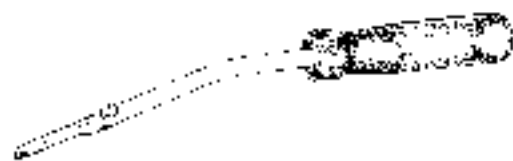




*The recommended tightening torques must be observed.*

## PRODUCTS


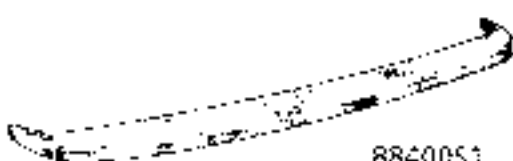
*Read all precautions for the use of products with care and follow the safety instructions, using the appropriate equipment (gloves, mask etc...)*

Tooling recommended for replacing the windscreen

EQUIPMENT

	Description	Supplier's Part Number	Approved Number M.R. 500 **
 8727051	Pulling handle		
 8727052	Retaining tool Approved Number 626700	STHALWILLE STW 10351	55 70 00
 8727053	Roll of cutting wire (piano wire)		
 8727451	Pair of suckers for fitting the windscreen into position	STOKVIS VALOREM BF 802 STAHWILLE STW 10352	58 23 00 55 70 01
 9252951	Electric knife for removing windows		
 9252352	Windscreen blade	FEIN	600 500

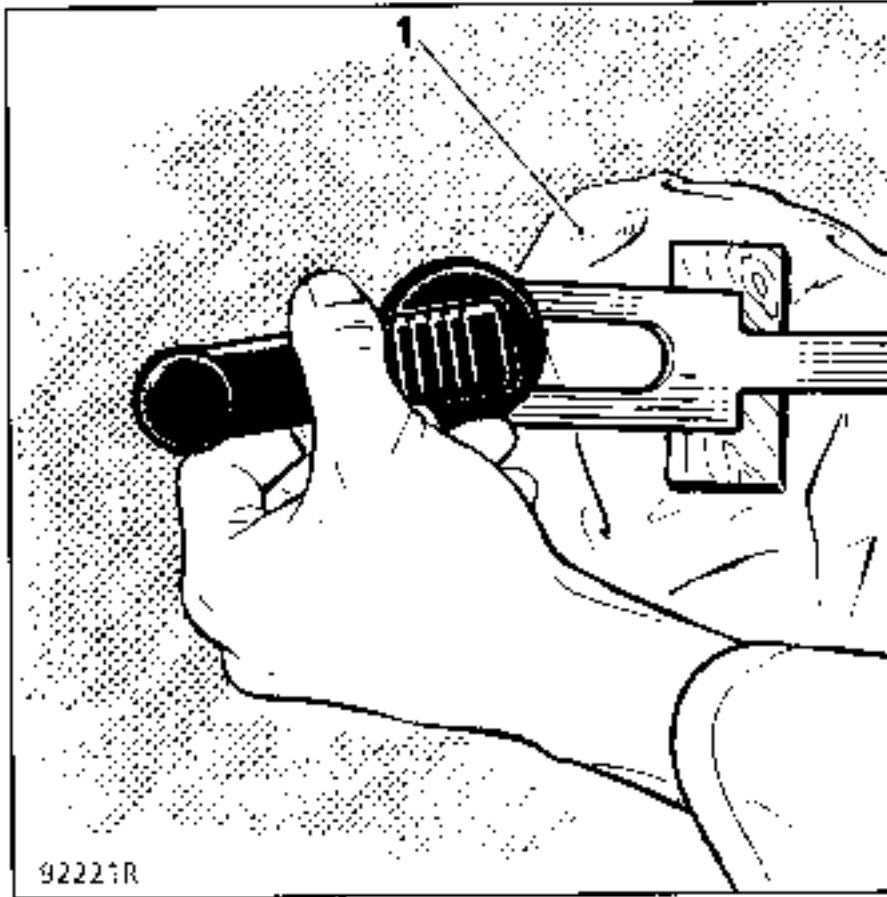
SPECIAL TOOLING

	Description	Renault Tool Number	Part Number
 8870051	Needle threader	Car. 1033	00 00 103 300
 8840051	Dashboard protector	Car. 1218	00 00 121 800

---

**BONDING WINDOWS AND PRODUCT PART NUMBERS**  
(Refer to Technical Note n° 371 A : ( 77 11 177 250 )

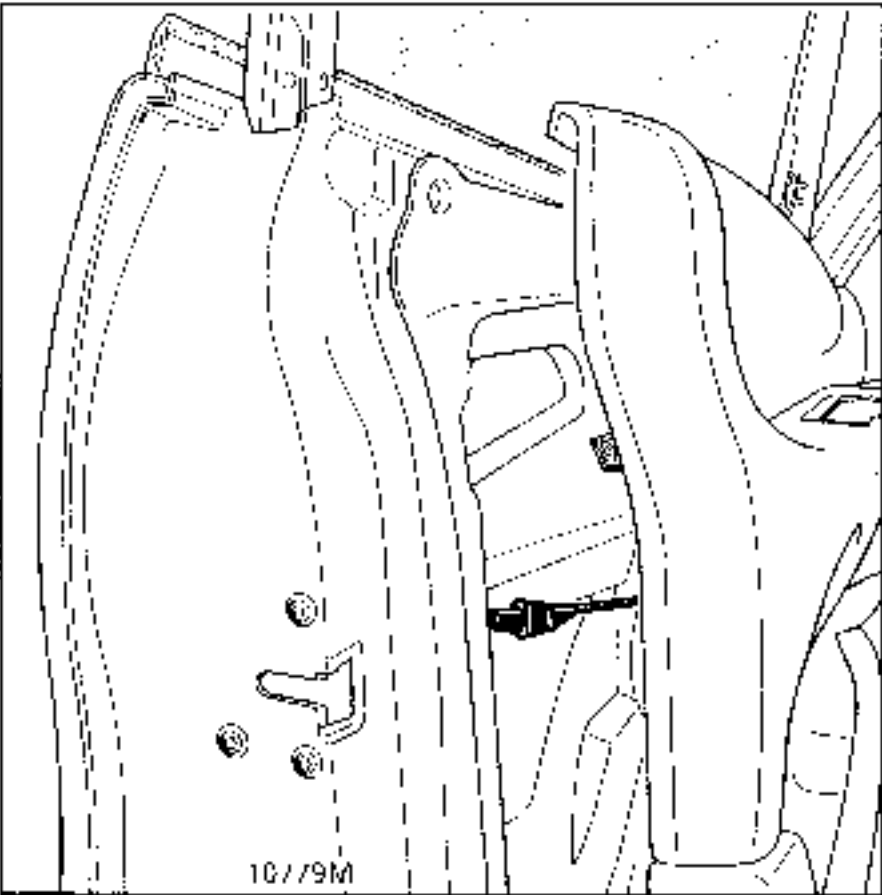
REMOVAL



Using a forked tool (example FACOM D115), lift to remove the winder, having taken care to protect the trim using a cloth (1) and fitting a block between the cloth and the tool.

**REMOVING THE FRONT DOOR HANDLE**

- Remove:
- the door lining as described in section 72 A,



- the linkage.

**REPLACING THE HANDLE**

Countersink the ventilation duct retaining pop rivet to a diameter of 5 mm.

Press on the two lower clips on the rear ventilation outlet.

Remove the vent.

Unclip the opening linkage.

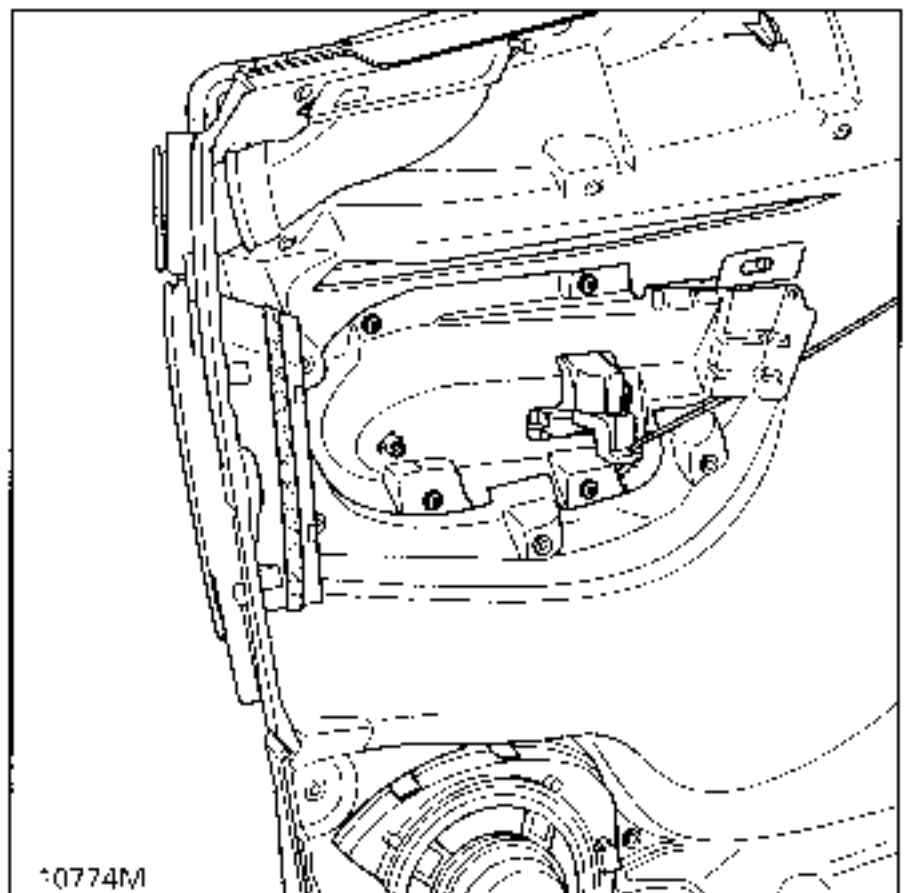
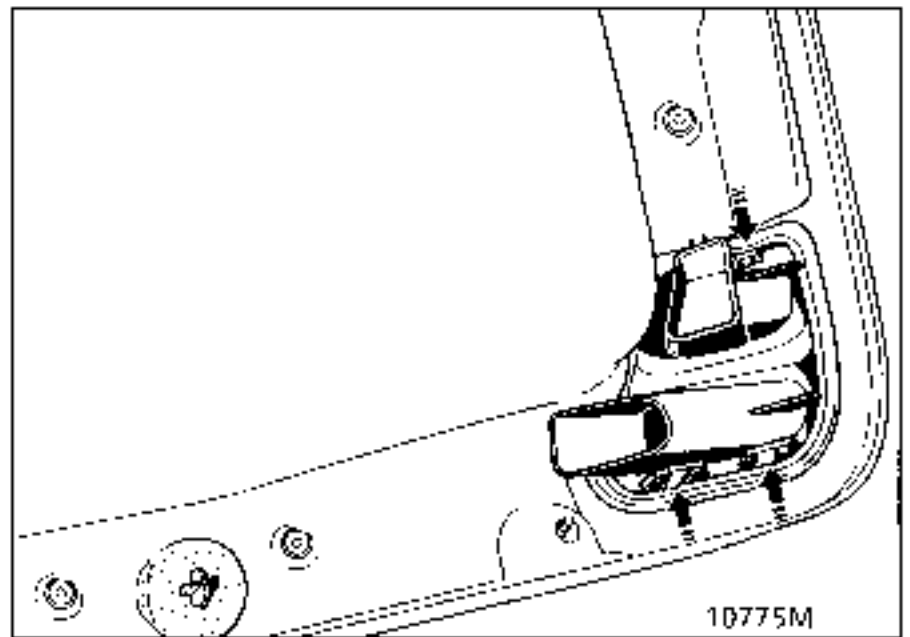
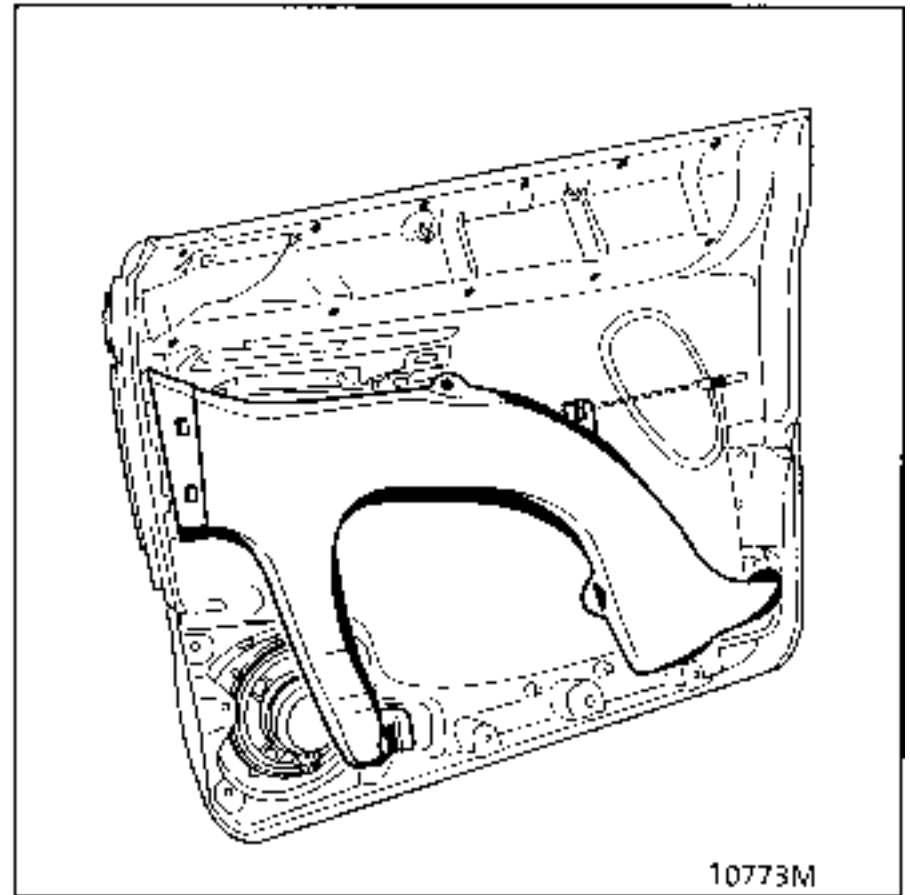
Remove the duct.

Countersink the 9 crimps to 5 mm diameter.

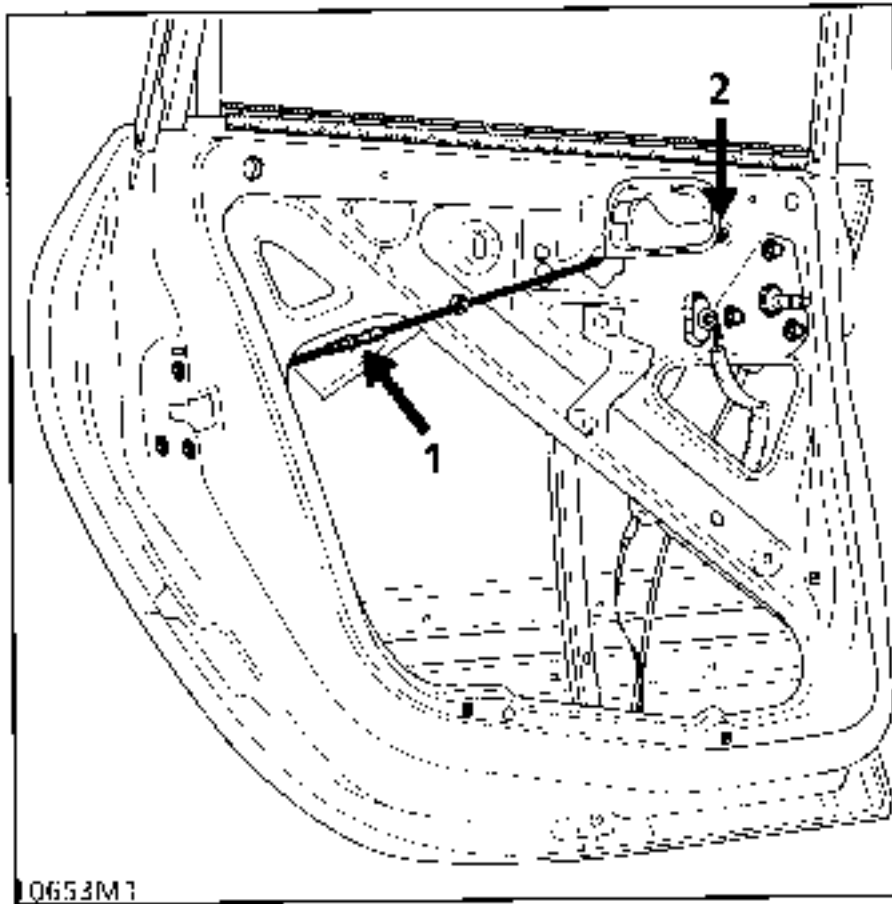
Remove the opening control assembly.

**REFITTING**

- Fit:
- the new assembly,
  - the 9 rubber rings, diameter 6. 77 03 080 006.



### REMOVING THE REAR DOOR HANDLE



Remove the door lining as described in section 72 B.

Release the interior opening linkage (1).

Remove :

- the vinyl,
- mounting bolt (2) for the lock on the body.

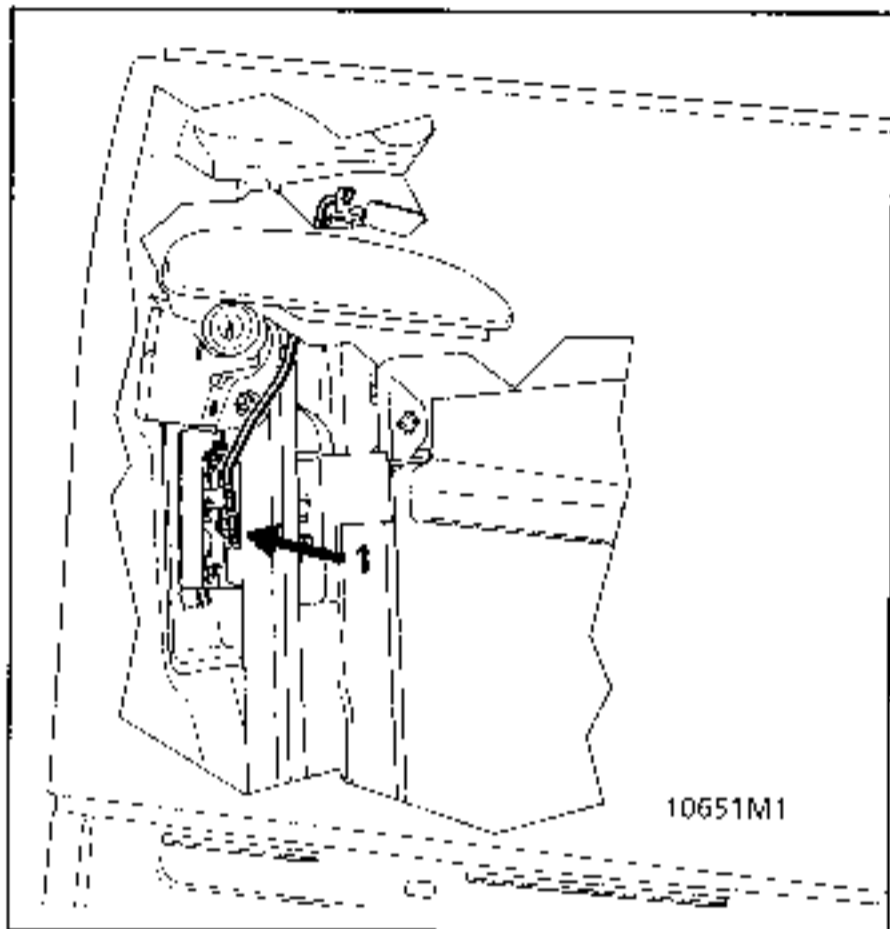
### REFITTING

Refitting is the reverse of removal.

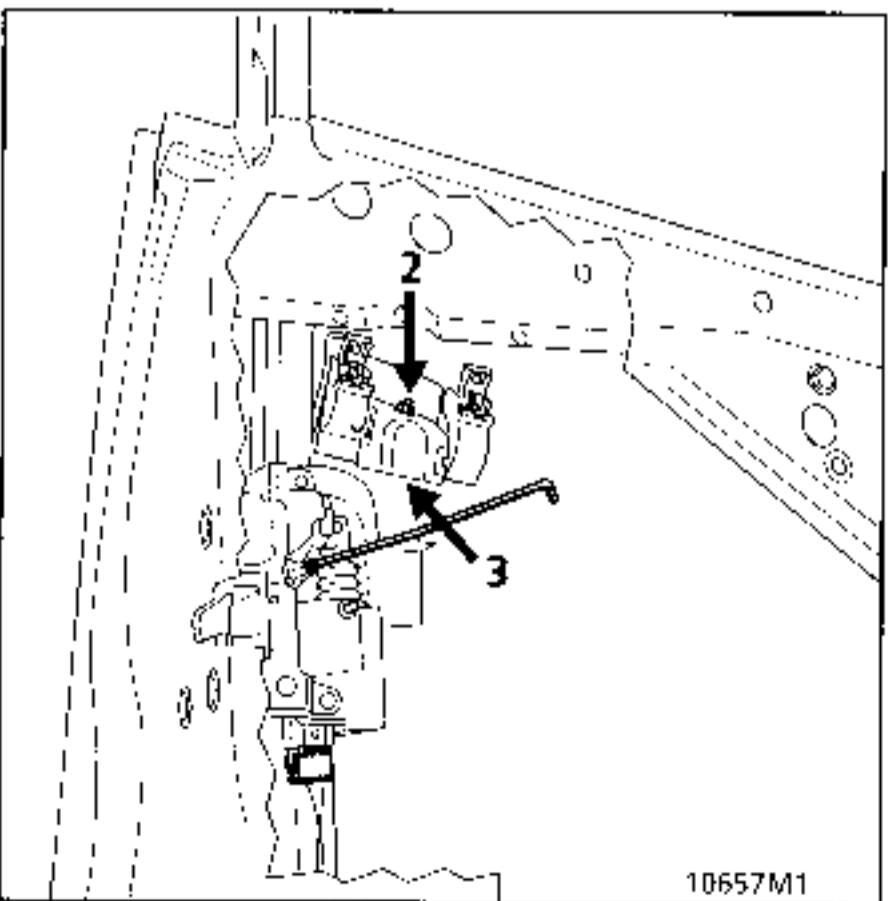
**REMOVAL**

Remove:

- the door lining as described in section 72 A,
- the linkage,
- the one-touch unit,
- the complete vinyl assembly.



Release the opening linkage (1) from the lock.  
Remove nut (2) then release the retaining plate (3)  
on the panel.

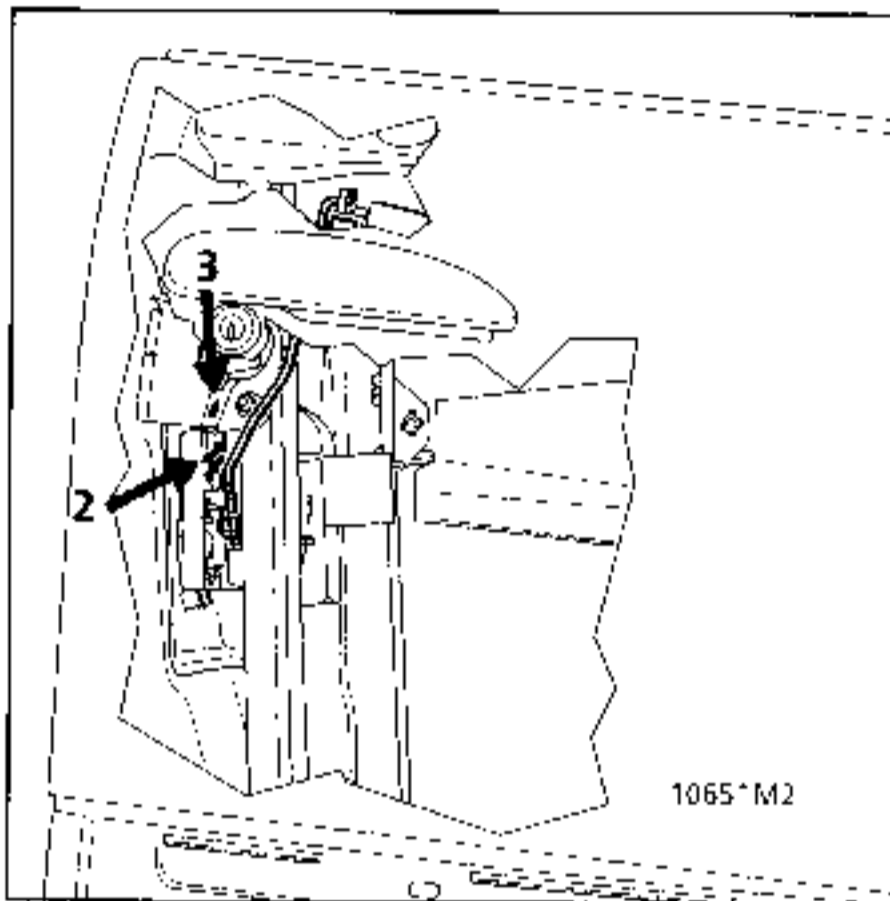


Remove the handle with the linkage (1), pivoting  
it upwards.

**REMOVING THE LOCK BARREL**

Remove:

- the door lining as described in section 72 A,
- the linkage,
- the one-touch unit,
- the complete vinyl assembly.



Release the locking linkage (2).

Remove the mounting bolt (3) for the pin.

Remove the lock barrel with the linkage.

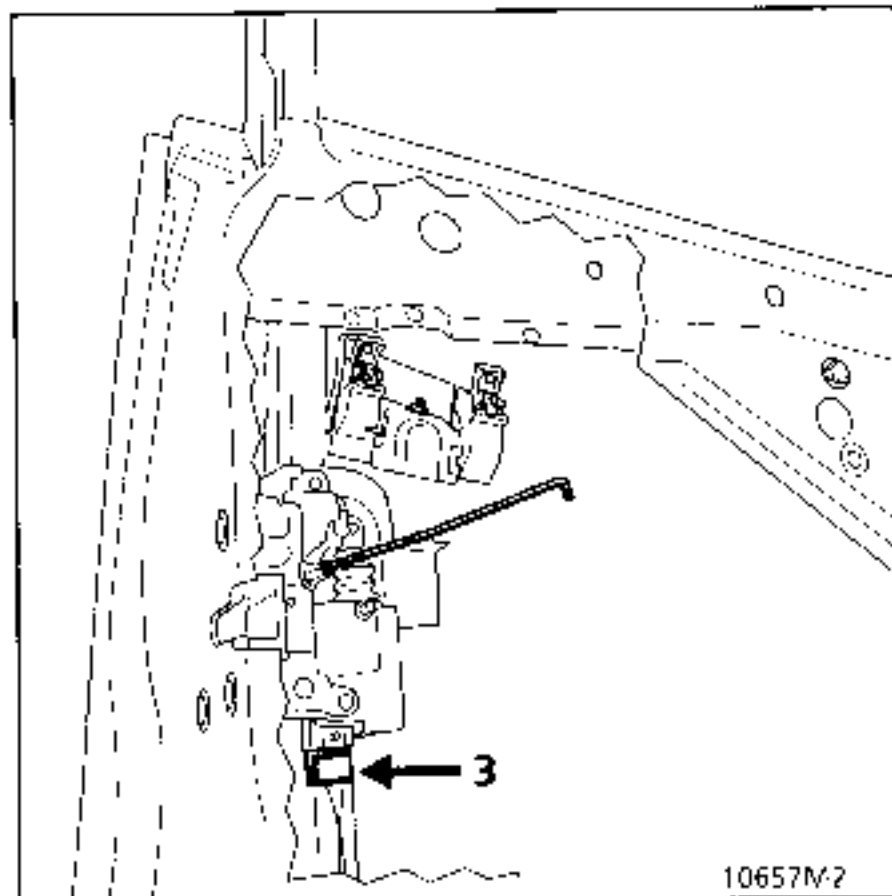
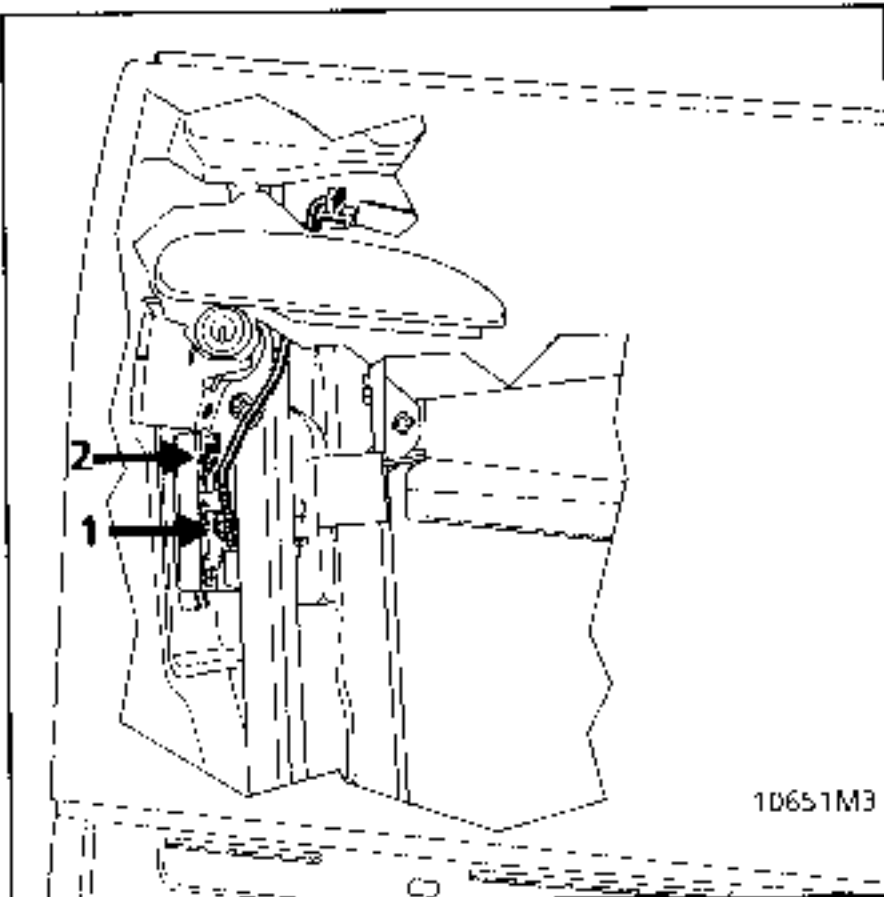
**REFITTING**

Refitting is the reverse of removal.

**ELECTRIC DOOR LOCK**

Remove:

- the door lining as described in section 72 A,
- the linkage,
- the one-touch unit,
- the complete vinyl assembly.



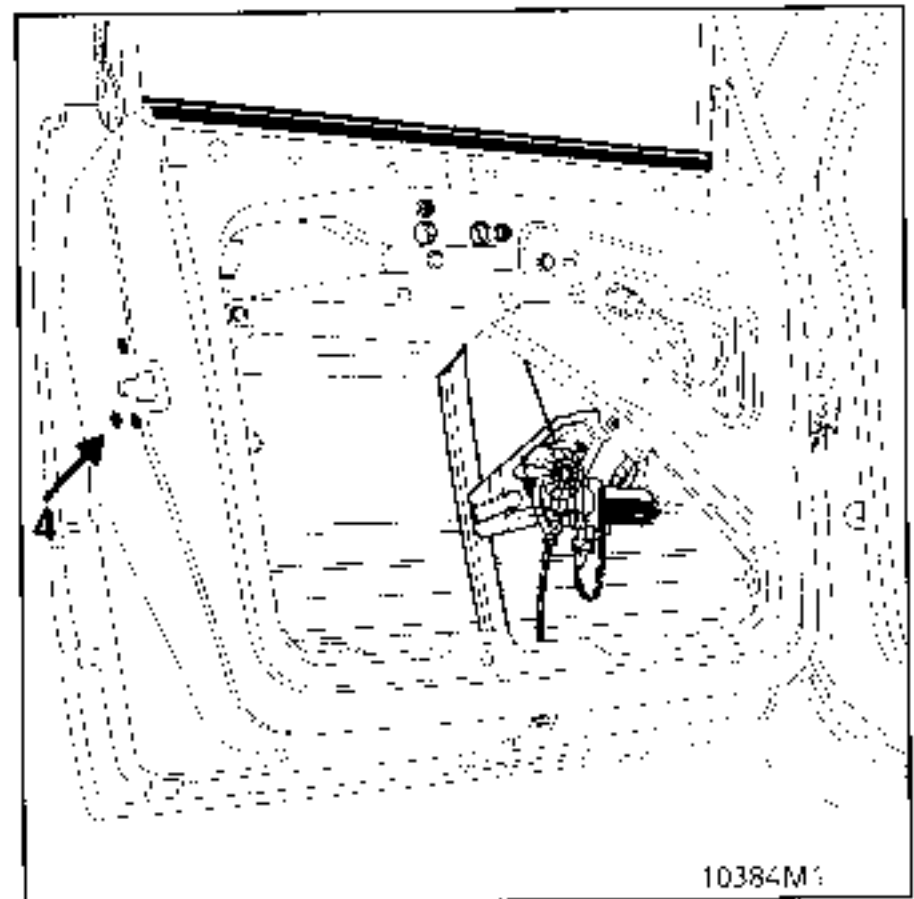
**REMOVING THE LOCK**

Release:

- the exterior opening linkage (1),
- the exterior locking linkage (2).

Disconnect the wiring (3).

To remove the electric locking motor, remove the lock mounting bolts (4).



**REFITTING**

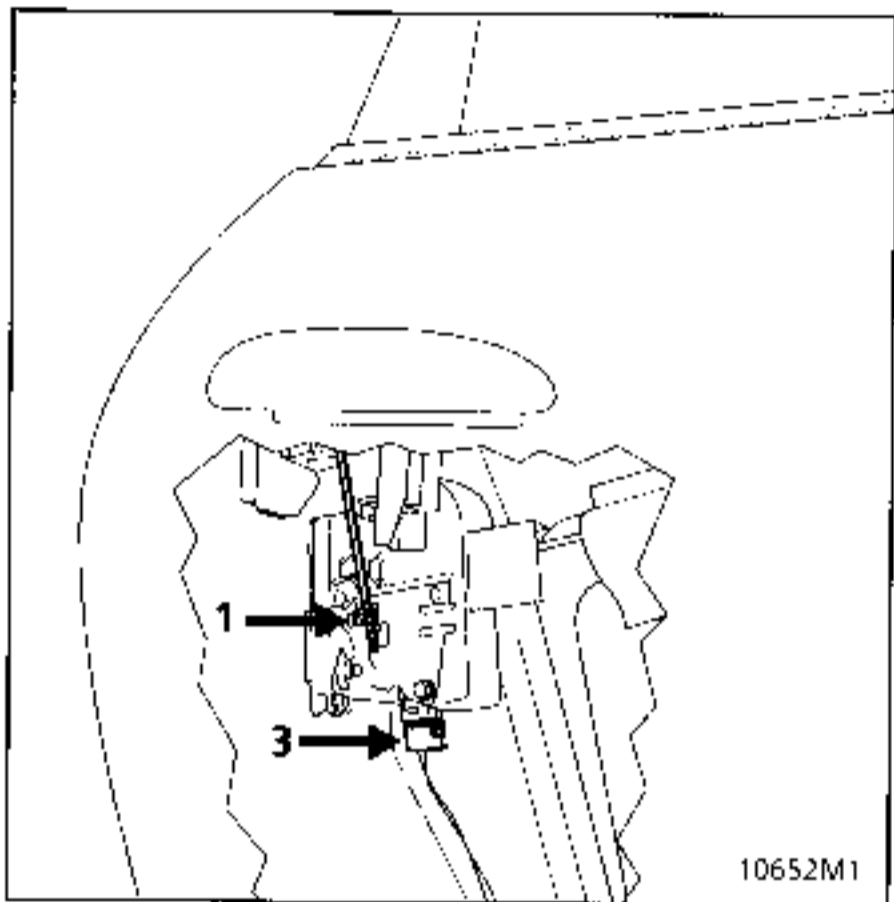
Refitting is the reverse of removal.



### ELECTRIC DOOR LOCK

Remove:

- the door lining as described in section 72 A,
- the interior opening linkage (2),
- the complete vinyl assembly.



### REMOVING THE LOCK

Release:

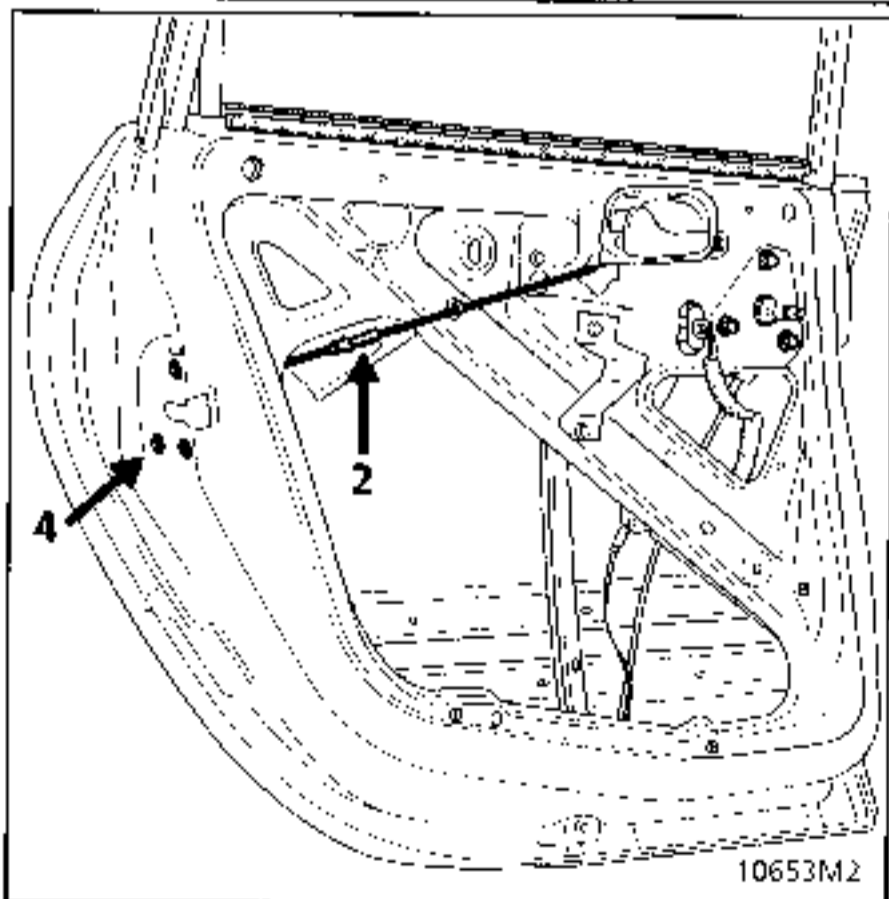
- the exterior opening linkage (1).

Disconnect the locking motor wiring (3).

To remove the electric locking motor, remove the lock mounting bolts (4).

### REFITTING

Refitting is the reverse of removal.



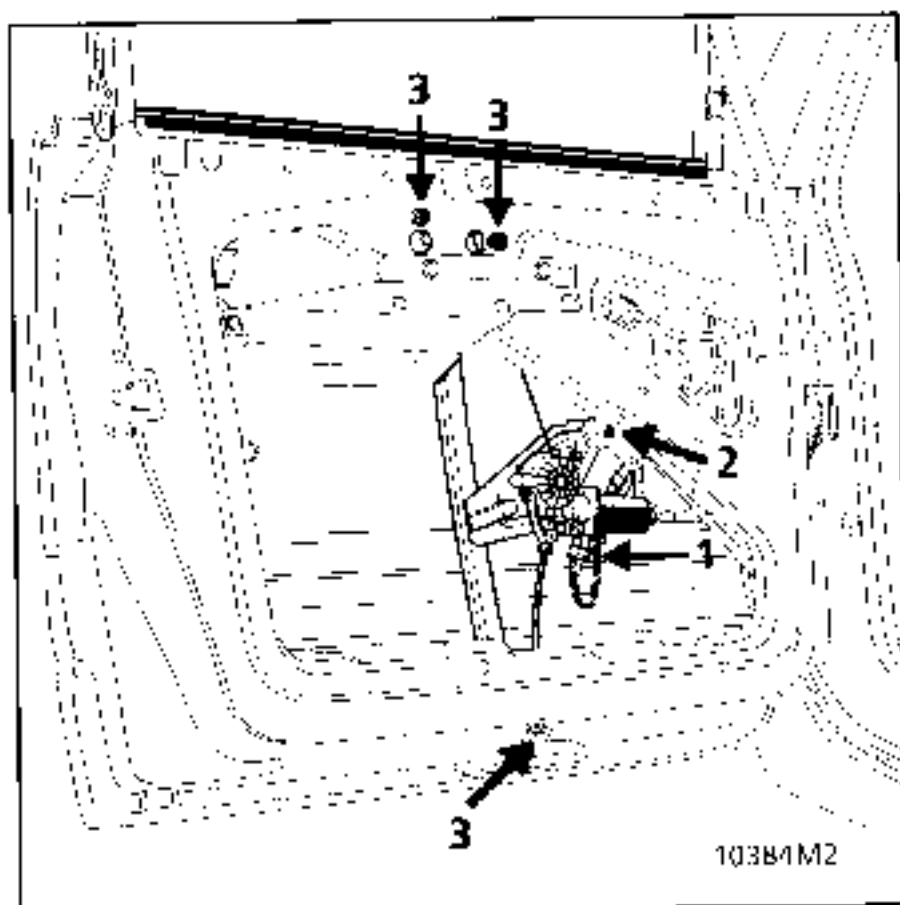
## Door exterior handle

Removal is identical to the method for the front door.

## REMOVING THE ELECTRIC WINDOW

Remove:

- the door lining as described in section 72 A,
- the linkage,
- the one-touch unit,
- the complete vinyl assembly.



The window glass should be removed to make removing the electric mechanism easier (see section 54).

Release then disconnect the motor feed wiring (1).

Remove the mountings for the motor (2) and the rail (3).

Tilt the assembly and remove it via the door box section opening.

## ADJUSTMENT

Fit the mechanism into the door box section.

Fit the mounting nuts and bolts.

Lock the mounting bolt (2) for the motor and the bolts (3) for the rail.

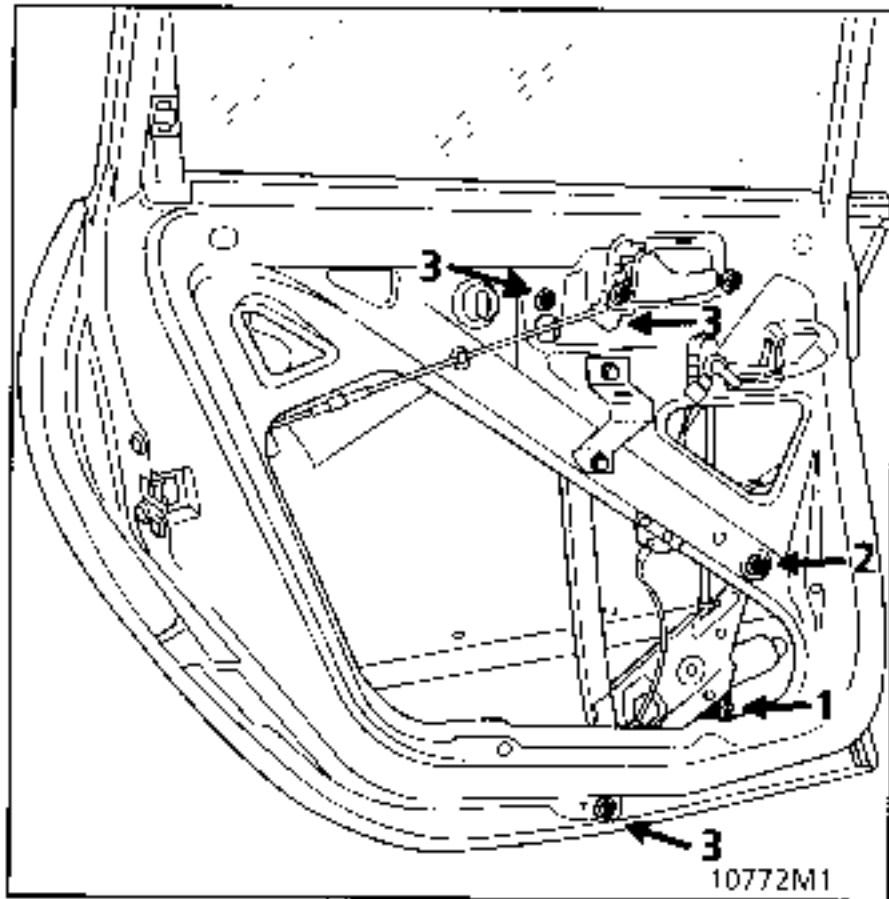
Reconnect and reclip the wiring (1).

For refitting and adjusting the front door window glass, see section 54.

### REMOVING THE ELECTRIC WINDOW

Remove:

- the door lining as described in section 72 A,
- the interior opening linkage,
- the complete vinyl assembly.



The window glass should be removed to make removing the electric mechanism easier (see section 54).

Release then disconnect the motor feed wiring (1).

Remove the mountings for the motor (2) and the rail (3).

Tilt the assembly and remove it via the door box section opening.

### ADJUSTMENT

Fit the complete mechanism into the door box section.

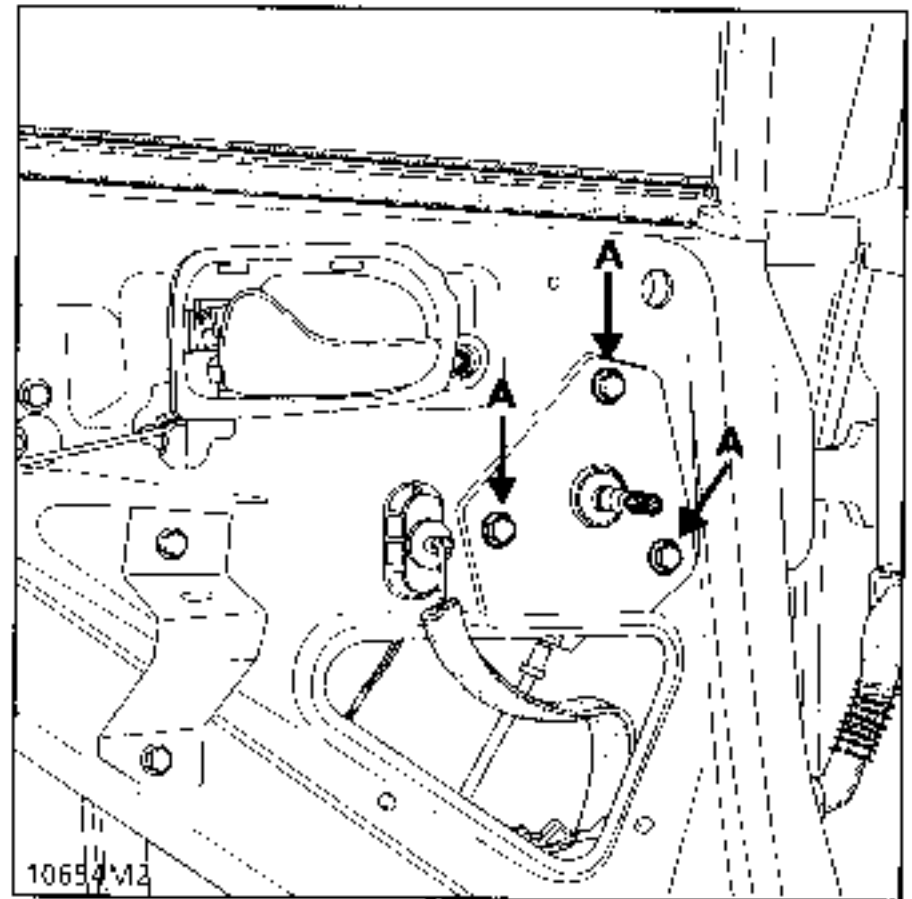
Fit the mounting nuts and bolts.

Lock the mounting bolt (2) for the motor and the bolts (3) for the rail.

Reconnect and reclip the wiring (1).

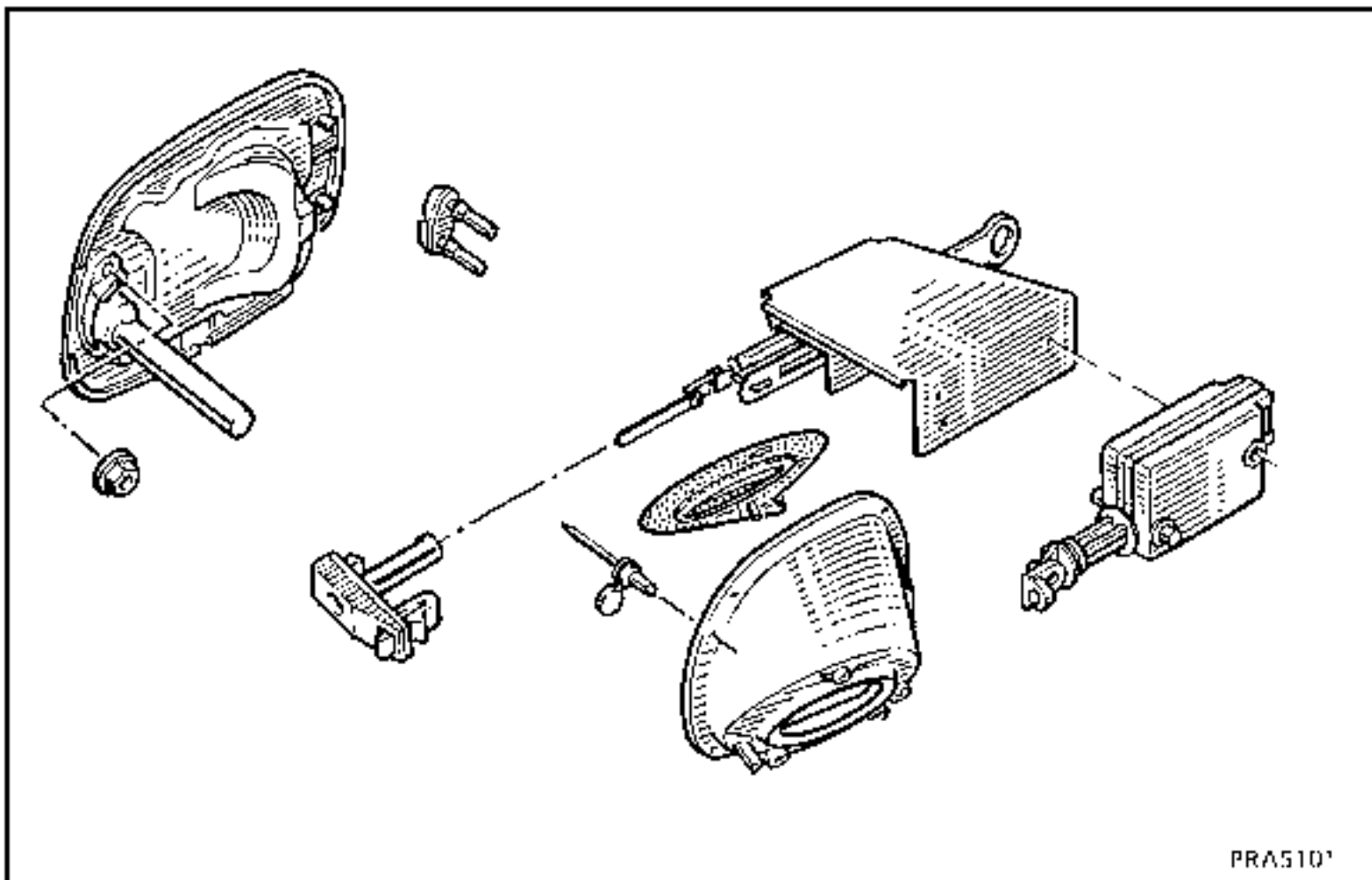
For refitting and adjusting the rear door window glass, see section 54.

### REMOVING THE MANUAL WINDER



This does not differ from the electrical version, except in the removal of :

- the handle,
- the 3 mechanism mounting bolts (A).



To reach the mechanism, the rear right hand wheel arch mudguard must be removed, which is mounted on the chassis by 6 rivets.

**REMOVAL**

From the outside:

Open the bonnet (see section 48).

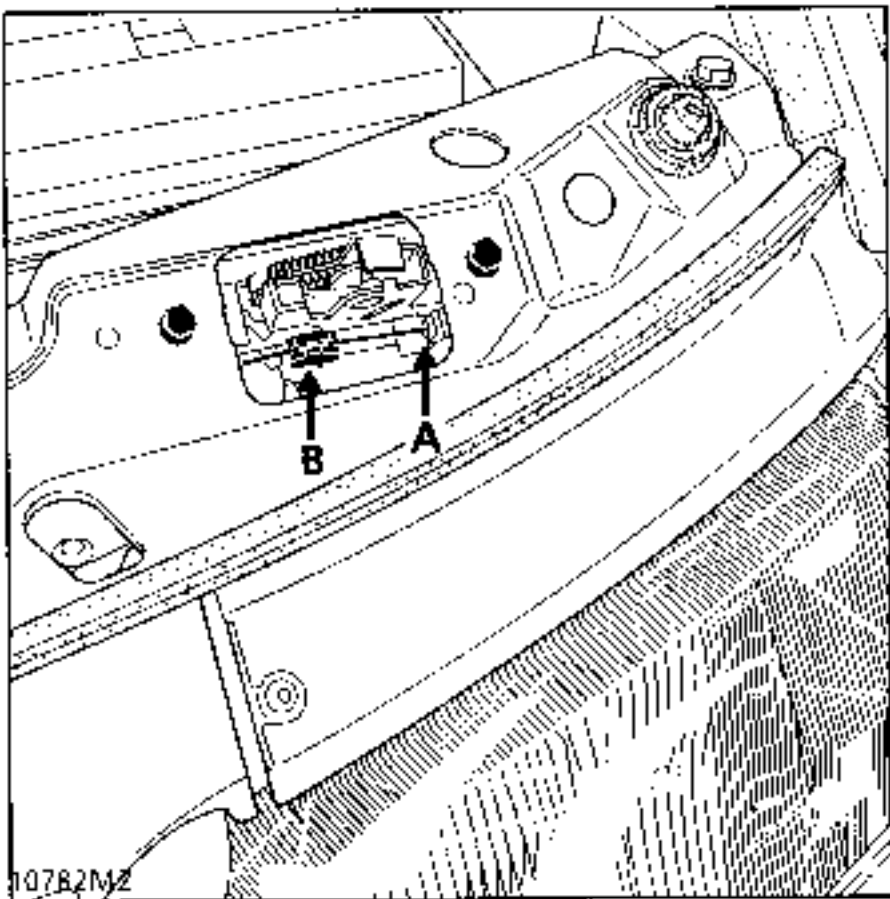
Remove the clipped-on anti-theft protection.

Release:

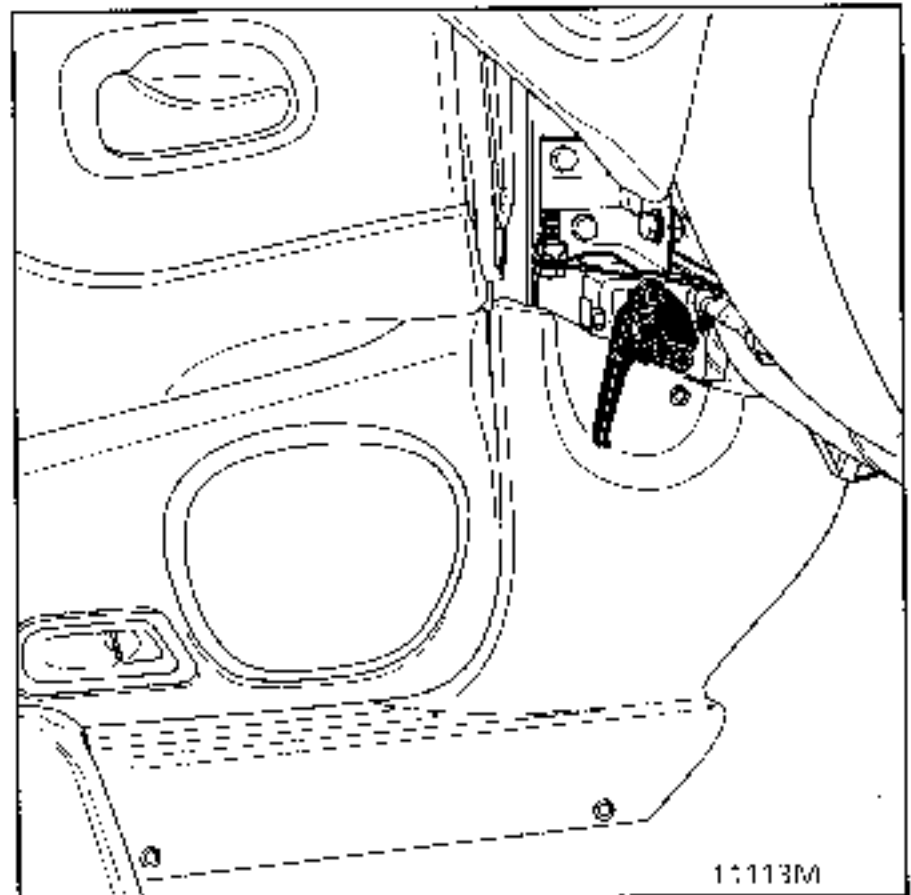
- the cable sleeve stop (A).
- the cable from the stop at (B).

Remove:

- the front left hand mudguard,
- the cable guides in the scuttle panel.



From the inside:



Protect the driver's seat.

Remove:

- the lower left hand console,
- the mounting bolt for the control plate.

Pull the cable sleeve control assembly into the passenger compartment.

**REFITTING**

Refit the control plate mounting bolt.

Pull the cable sleeve assembly into the engine compartment.

Check the cable guides are correctly fitted in the scuttle panel.

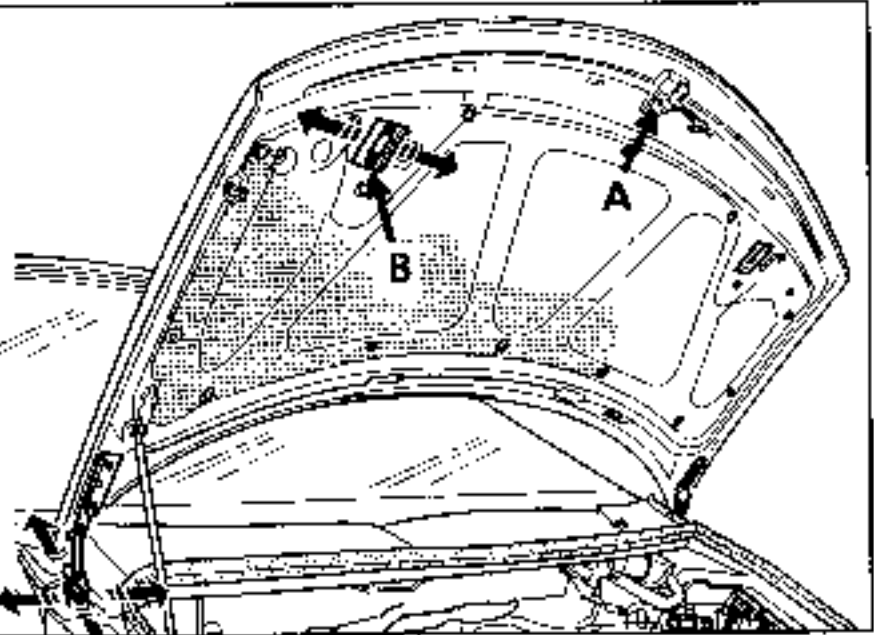
Attach the cable to the lock (B).

Replace the cable sleeve stop (A).

Check the assembly operates correctly.

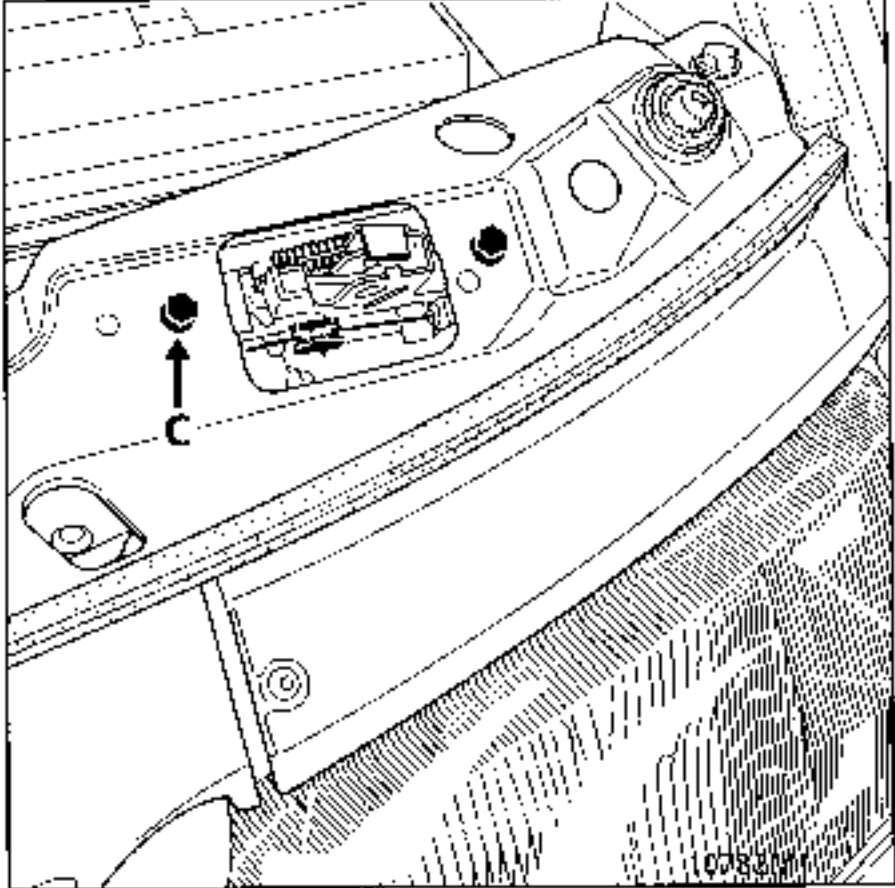
Refitting is then the reverse of removal.

REMOVAL



Remove the safety mechanism (A).

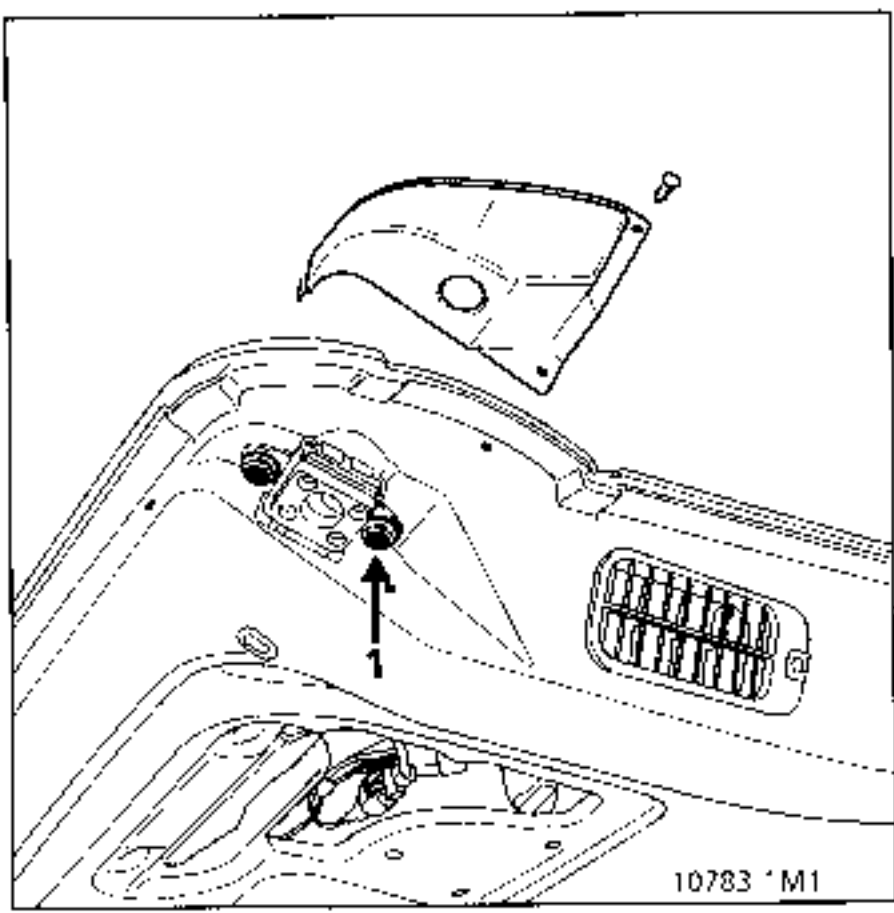
Adjust the catch (B).



Remove the bonnet lock (C).

**IMPORTANT:** Check the safety mechanism is correctly positioned and operates correctly - this is vital.

**REMOVAL**



- Remove:
- the tailgate trim.
  - the vinyl.

Release the lock opening linkages.

- Remove:
- the unit (3 clips),
  - the mounting bolts (1) for the left and right hand locks.

Remove the locks by pivoting them.

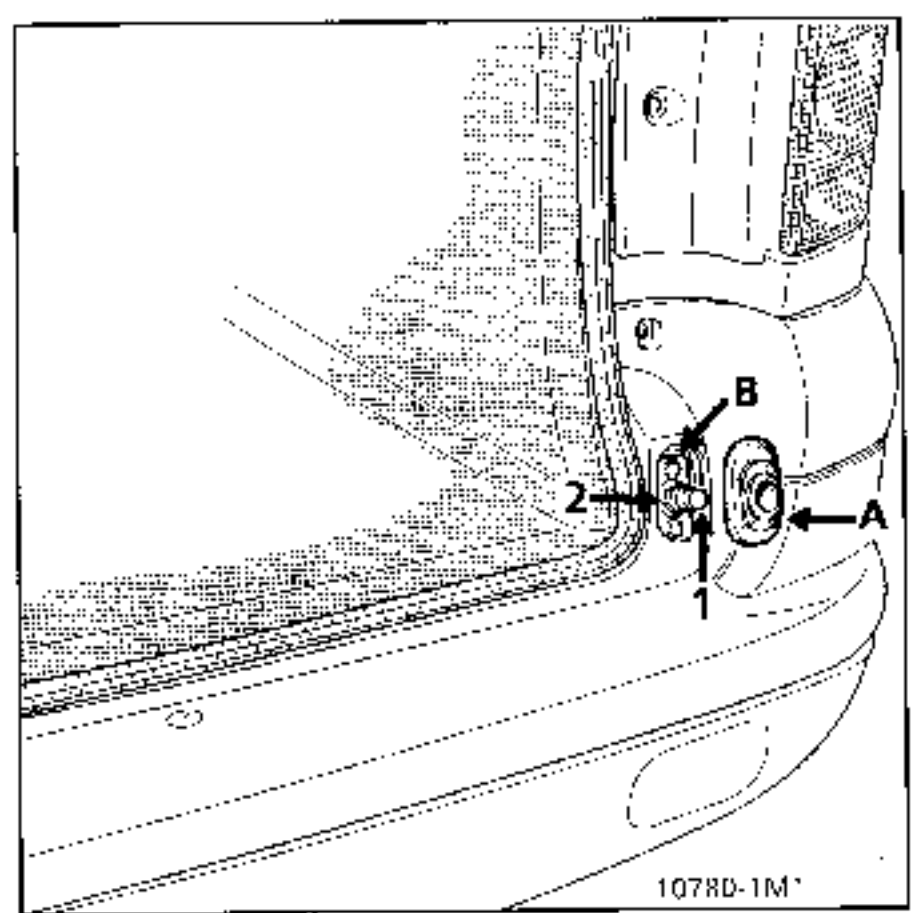
**REFITTING**

Refitting is the reverse of removal.

**ADJUSTING THE LOCKS**

The opening synchronisation and handle travel adjustment is simply made by attaching the linkages.

**LOCKING PIN**

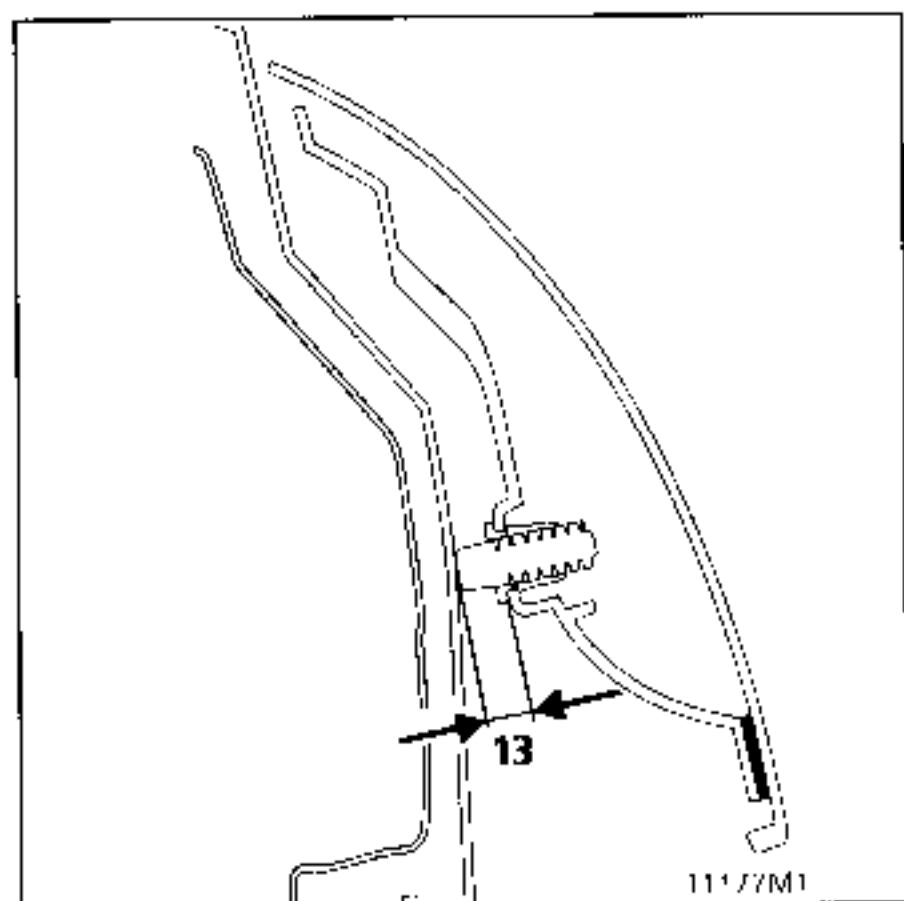


- Remove:
- the protective gailer (A),
  - the 2 mounting bolts (B).

The pin (1) is adjusted by tightening or slackening it, after releasing the lock nut (2).

Ensure the clearance between the wings and tailgate is correct :  $5 \pm 1\text{mm}$ .

**ADJUSTING THE TAILGATE STOPS**



The rear screen wiper mechanism must be removed to reach the opening window lock.

Remove:

- the wiper arm mounting nut,
- the wiper arm from its pin using tool Elé.1294,
- the wiper pin cover and then its central nut and spacer.

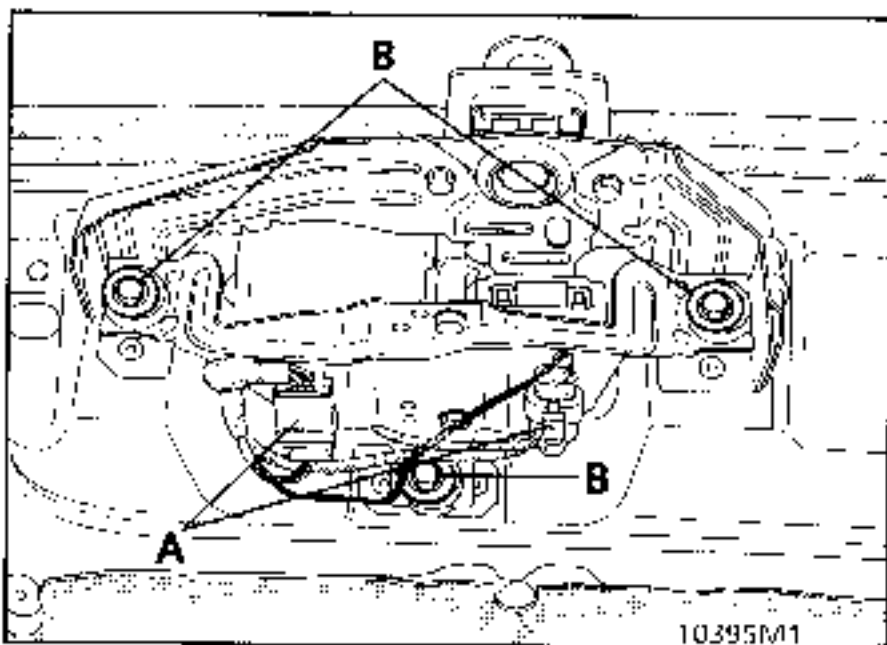
Disconnect the washer pipe.

Remove:

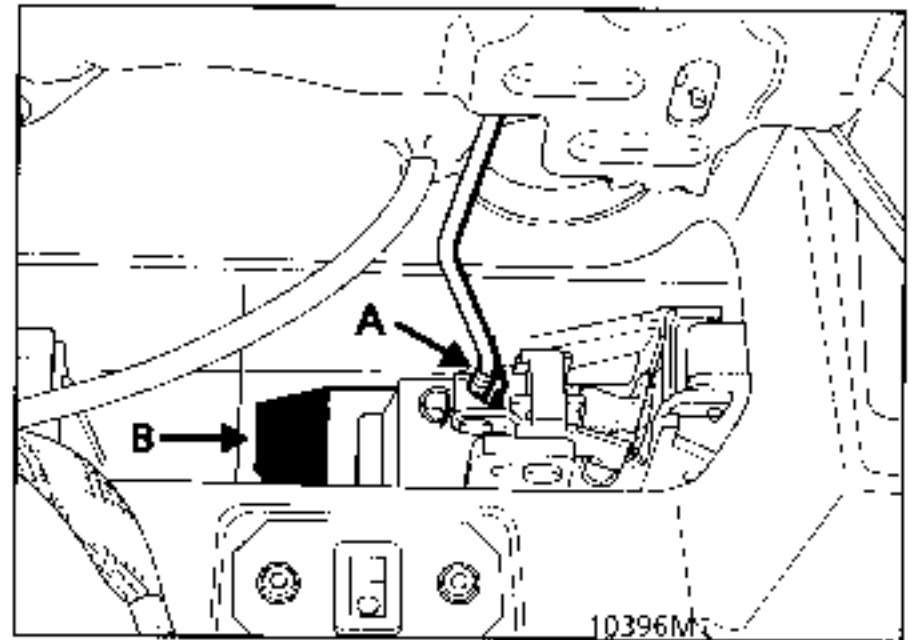
- the motor shaft nut,
- the tailgate inner lining, see section 73.  
**IMPORTANT**, if the vehicle has an opening window, remove the lock cover.

Disconnect the connector(s) (A) for the rear wiper.

Remove the 3 mounting bolts (B) for the mechanism assembly and motor.



### Removing the opening window handle.

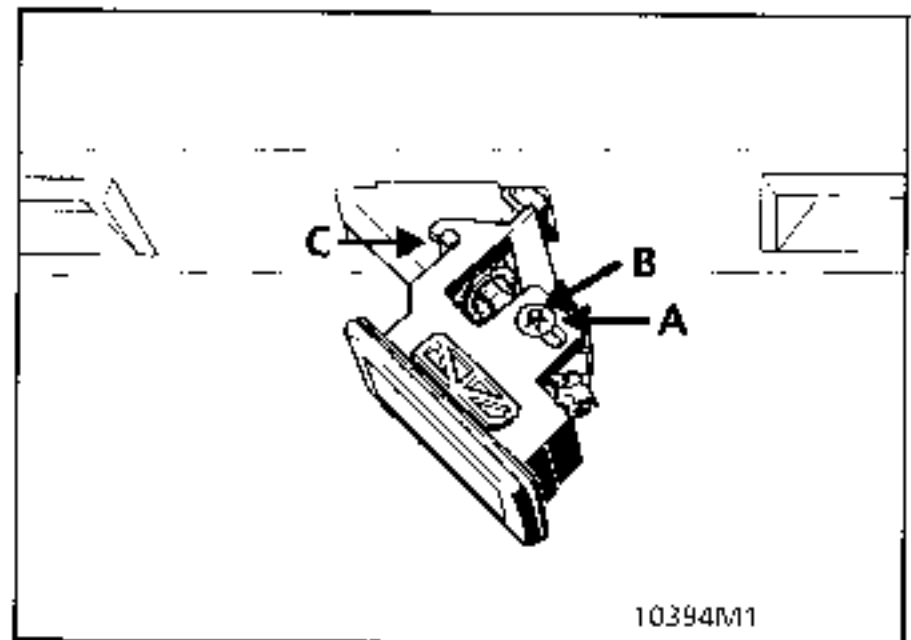


Release the opening linkage (A).

Remove clip (B) as shown in the diagram.

Remove the handle with the motor.

### REMOVING THE LOCKING MOTOR



At (A) remove the rubber ring then push the two pins (B) and (C).

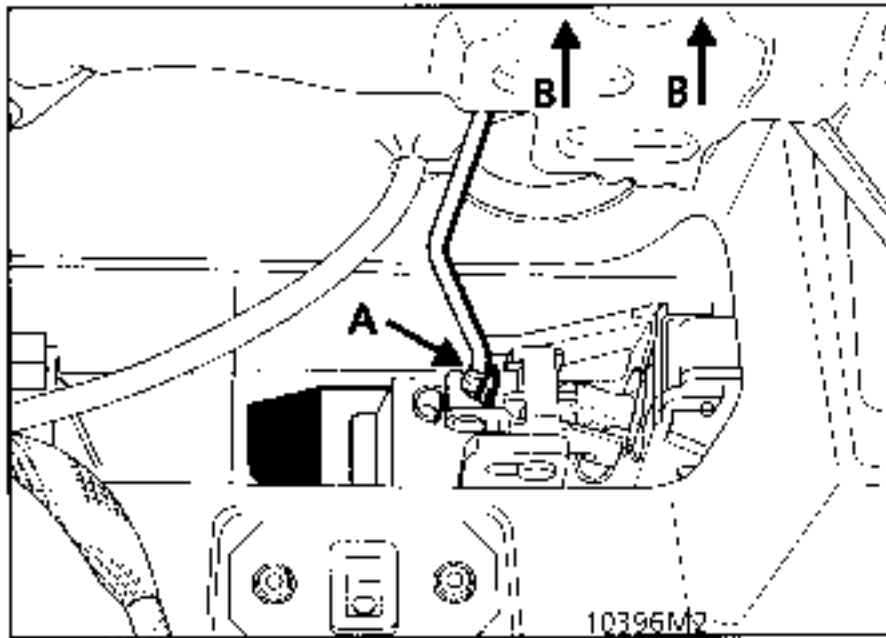
Remove the motor.

### REFITTING

Refitting is the reverse of removal.



### REMOVING THE OPENING WINDOW LOCK



Release the opening linkage (A).

Remove the two 10 mm hexagonal bolts (B).

Remove the lock.

### REFITTING THE MECHANISM ASSEMBLY AND MOTOR

Ensure the motor is in the park position before refitting the wiper arm.

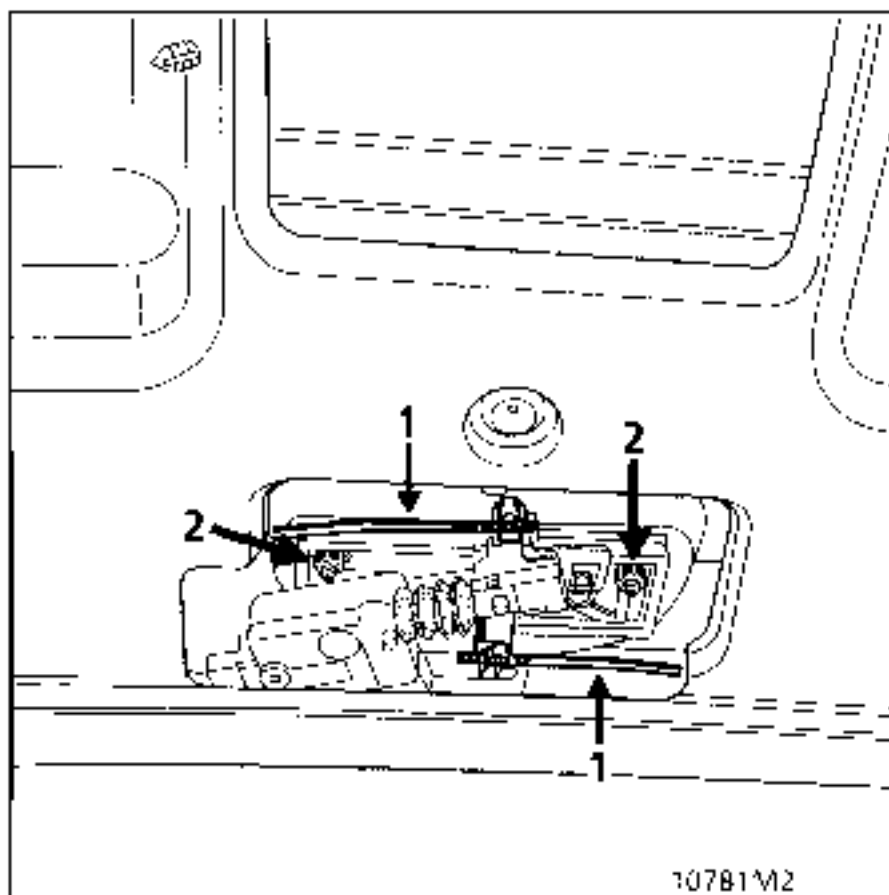
When there is no opening window, position the wiper arm on the park position marker on the window.

When there is an opening window, position the wiper arm on the park stop.

### Tightening torques

- Motor shaft nut 8 N.m (+ 20%)
- Wiper arm nut 12 N.m(20%)

**REMOVAL**



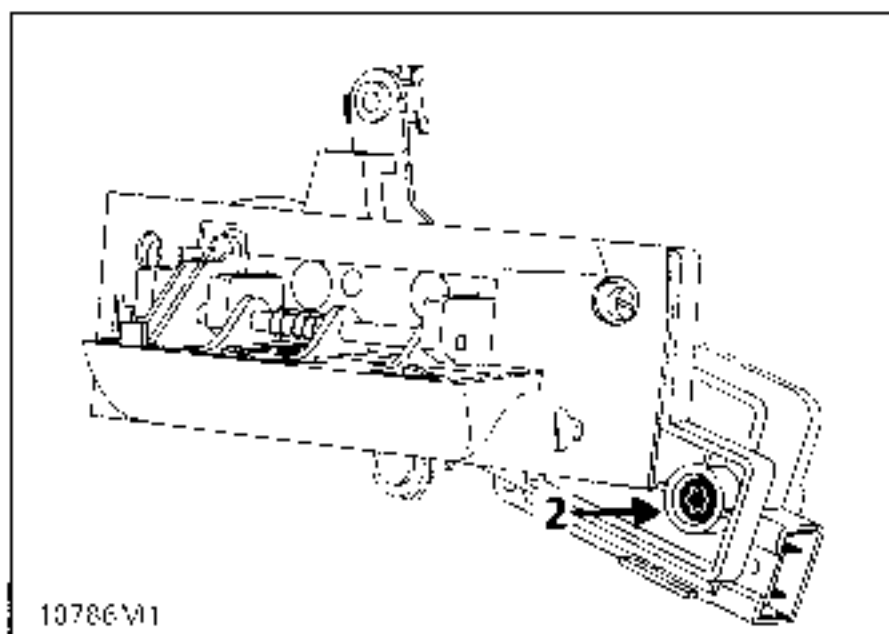
Remove:

- the linkages at (1),
- the two mounting bolts (2) then remove the handle assembly.

**REMOVING THE LOCKING MOTOR**

Disconnect the wiring.

Remove the mounting bolt (2).



**REFITTING**

Refitting is the reverse of removal.



Using a screwdriver, separate the retaining clip claws without removing the clip from its position.

## MAINTENANCE

### Frame / glass seal:

All rubber seals require a minimum amount of maintenance to ensure their efficiency over time and to avoid premature wear which affects their sealing capacity.

Regularly clean the seal and glass if necessary then coat the seal with glycerine or a spray product for seal maintenance.

### Rails :

These must be regularly cleaned of all dirt or obstructions (dead leaves, ...) which could prevent the glass from sliding correctly.

### Deflector:

Check that the water drain openings are not obstructed.

**BLINDS**

**REMOVAL**

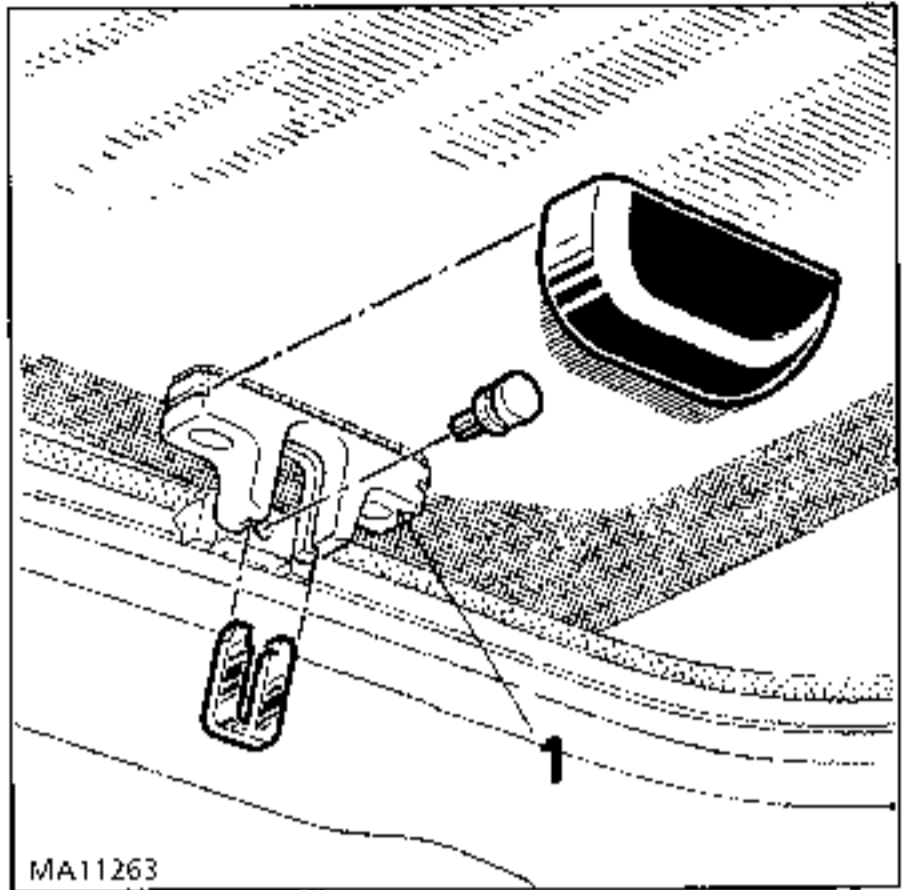
Remove the motor cover (3 clips at the front, unclip at the rear).

Slacken the exterior retaining flange bolts.

**REFITTING**

Roll the blind up on its mounting, reposition it in the centre flange.

Before refitting the exterior flange, turn the rod approximately 16 turns to create the necessary torsion for the automatic return mechanism.

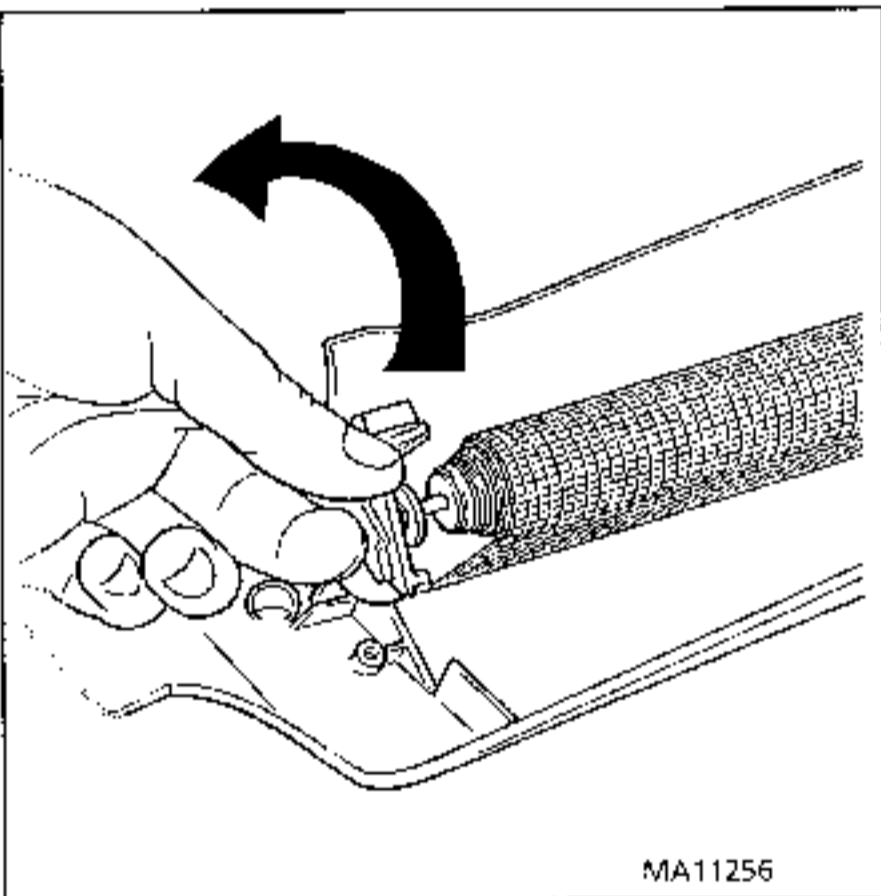


MA11263

Push the glass forward (approximately 5 cm before the position where the sunroof is closed). Tilt the glass to give a small vertical opening which will make removing the ramps easier. Insert a shim.

The opening must not exceed a maximum of 20 cm to prevent the pads at the front of the sunroof being damaged.

Remove the 2 ramps. Slacken the 2 bolts and remove the ramp, lifting it with a screwdriver.



MA11256

**REMOVING THE GLASS**

Open the window slightly.

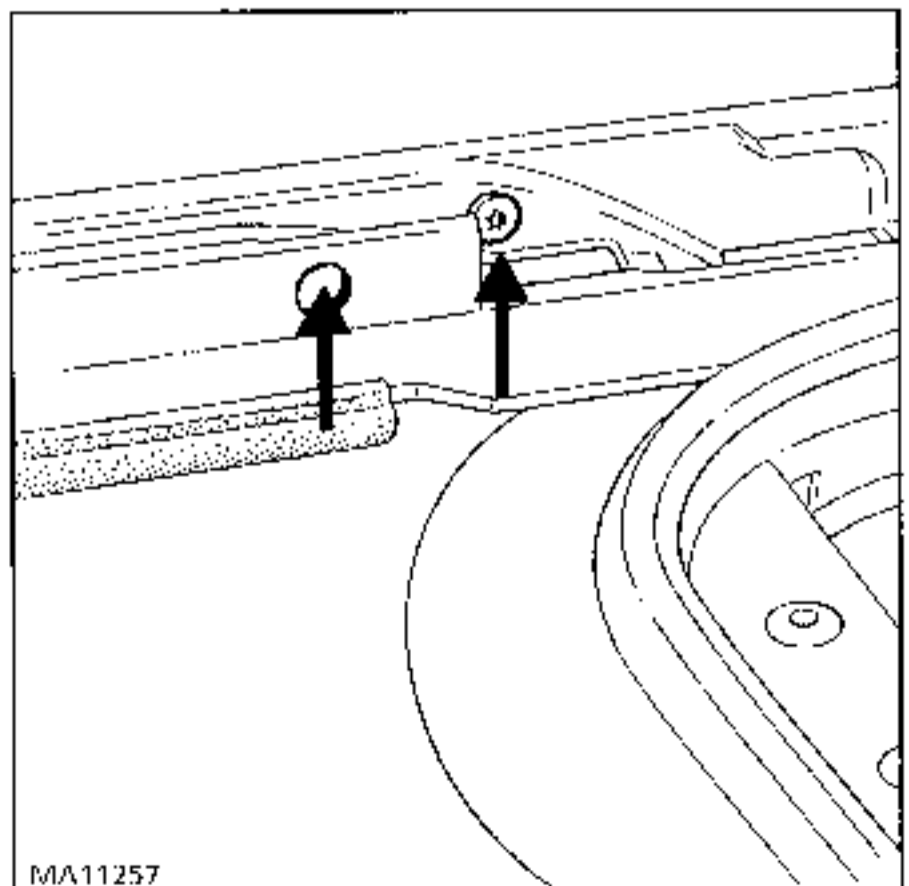
Remove the release mechanism.

Remove the connecting cover.

Remove the caliper and shaft.

Remove the fixed mechanism bases (1) located on the left and right hand sides of the window. Note the fitting position: tab on outside.

Slacken the retaining bolt for each bar on the glass and push the bars towards the rear.



MA11257

Now push the glass towards the rear until the pads at the front of the glass are positioned at the locations left empty by the ramps.

Remove the glass.

### REFITTING

Refitting is the reverse of removal.

Replace the seal for the fixed mechanism bases.

### REPLACING THE DRIVE CABLES

#### REMOVAL

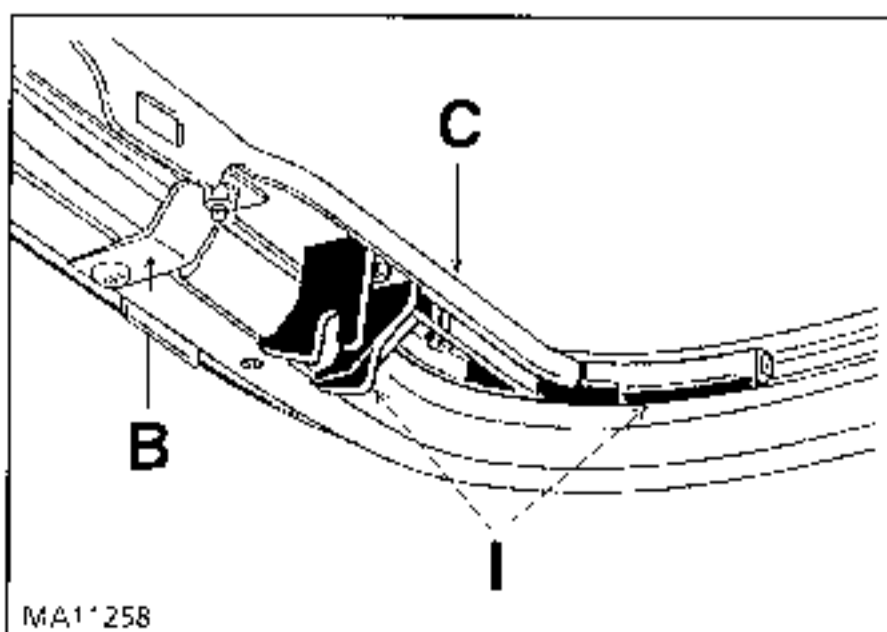
Remove the glass.

Remove the motor cover.

Remove:

- the motor,
- the drive pad at the front end of each cable. Remove the two bolts then unclip,
- each stop (I) at the rear of the pads located on the right and left hand sides of the frame: remove the rivet, remove the bracket (B), lift the motor mounting plate (C) and remove the stop,
- the centre cable retaining brackets and those retaining the pipes. Note the fitting direction of each pipe.

Pull the cables to remove them.



#### REFITTING

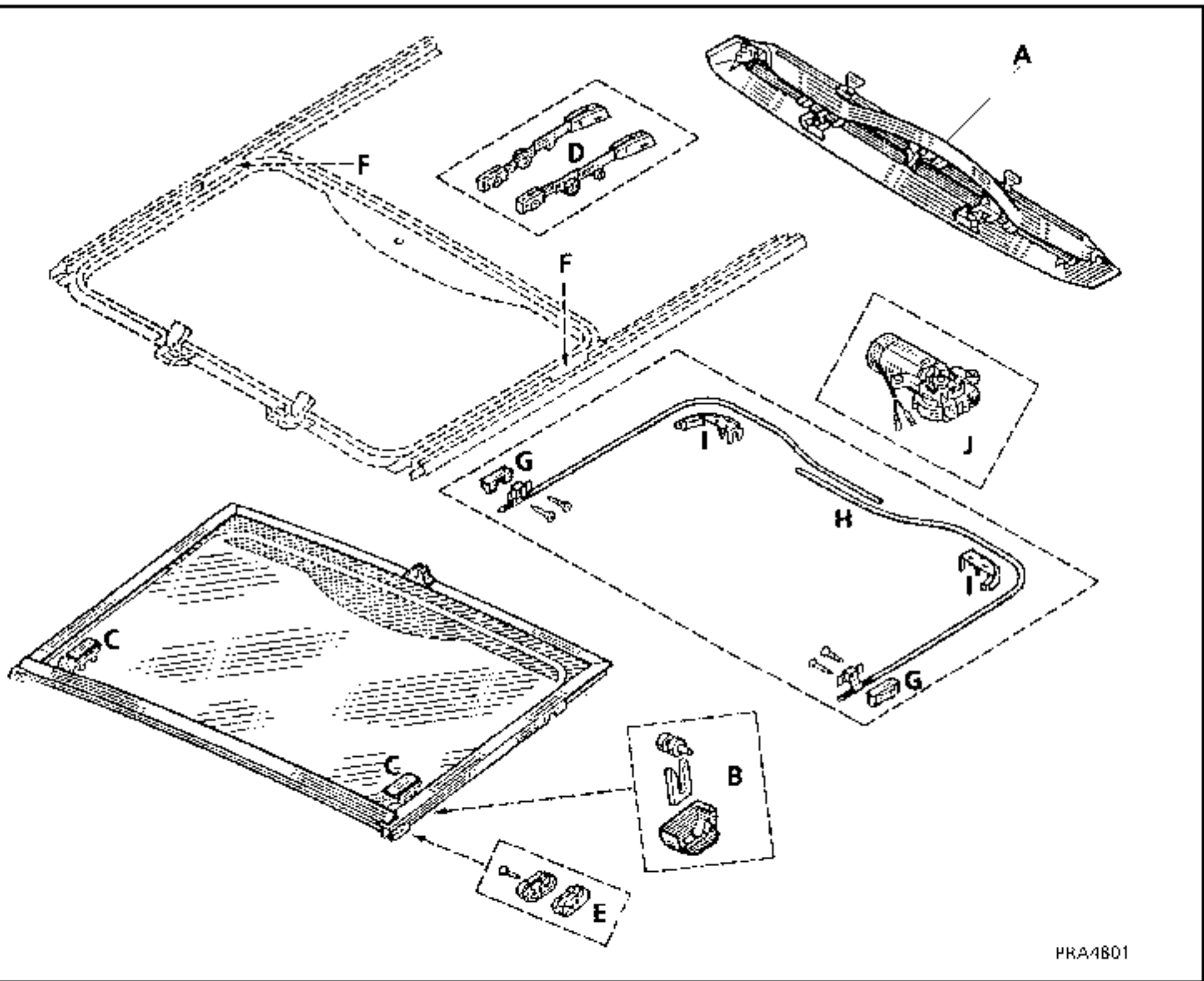
Refitting is the reverse of removal.

**Take note of the following instructions:**

Each pipe has one fitting direction: the shoulder machined at 90° should be on the opposite side to the motor. On the motor side, the shoulder should be positioned in a special slit.

Once the cables have been refitted, set these pads at the rear stop.

To refit the motor, turn its shaft if necessary using a hexagonal wrench.



PRA4B01

- A Motor cover
- B Release mechanism
- C Fixed mechanism bases
- D Bars
- E Front pads
- F Ramps
- G Drive pads
- H Cable
- I Rear cable stop
- J Motor

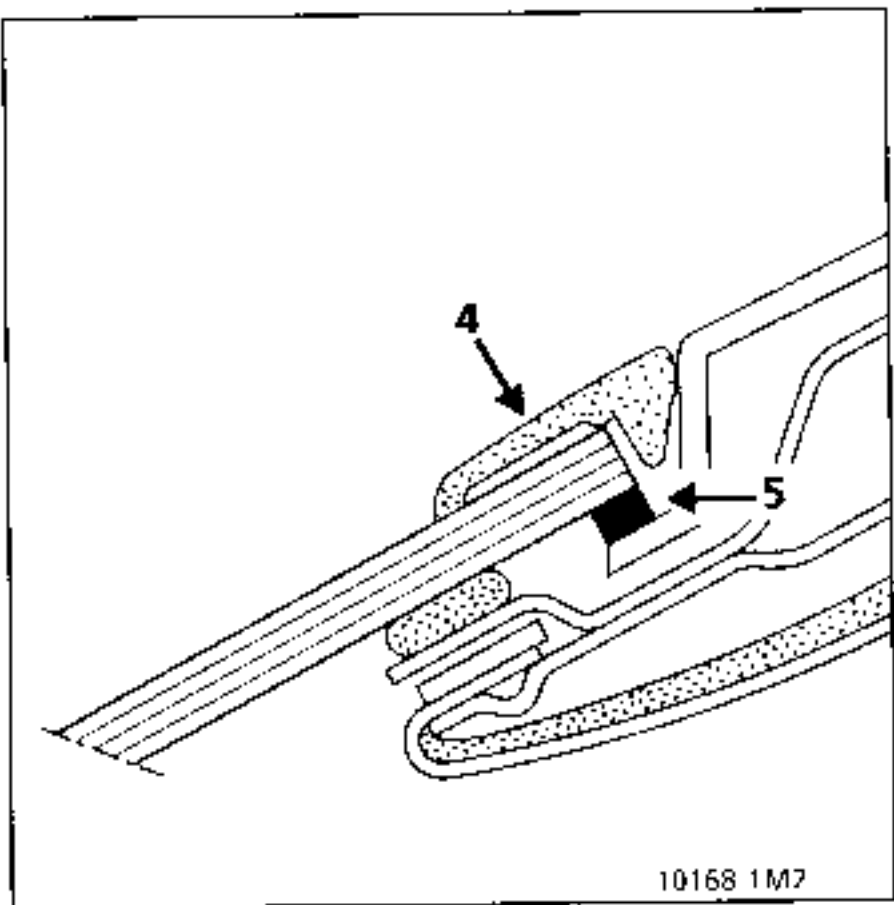
**REPLACEMENT**

The windscreen is bonded to the bodywork by a bead of adhesive sealant (1).

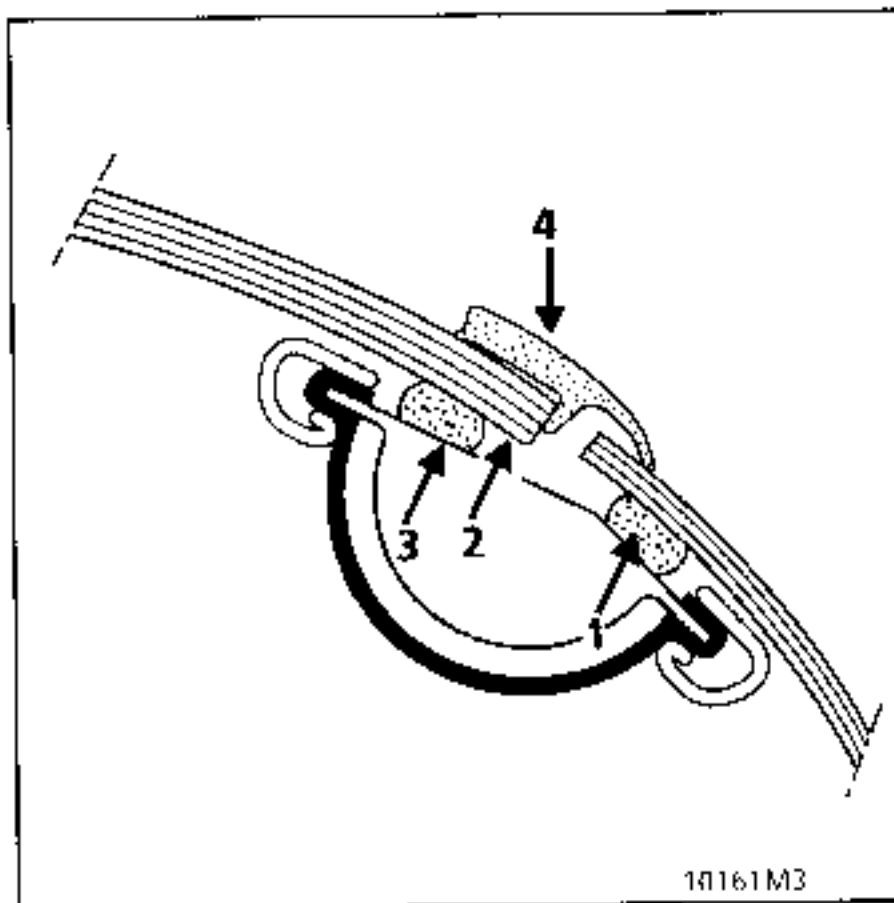
The enamelled section (2) on the inside ensures the bonded section has a good appearance.

Glass adhesive primer (3), applied to the enamelled section (2), ensures the bond between the adhesive seal and the glass is good.

**Windscreen pillar**



**Fitting the windscreen at the roof**

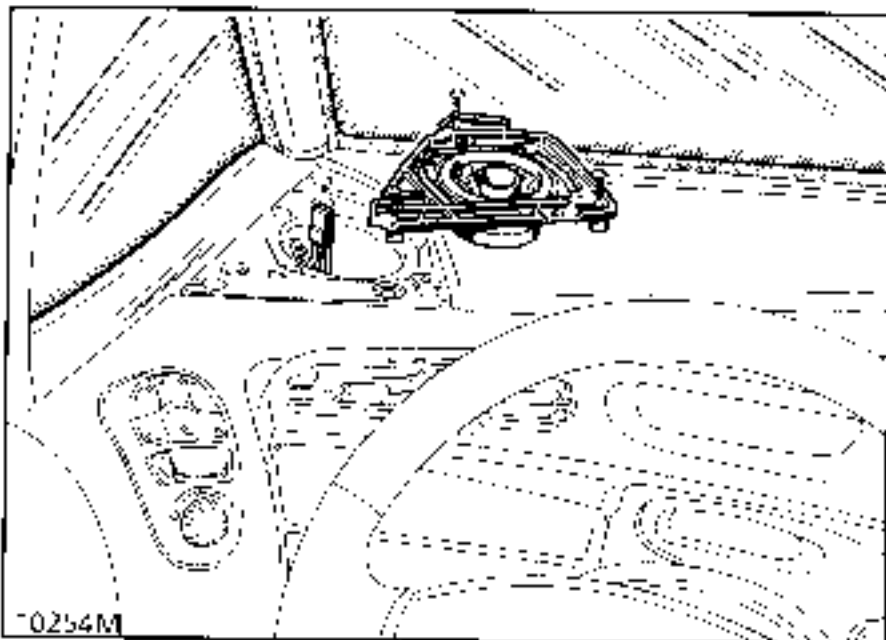


Key:

- 1 Adhesive seal
- 2 Enamelled section
- 3 Adhesive primer
- 4 Windscreen trim
- 5 Positioning stops



REMOVAL

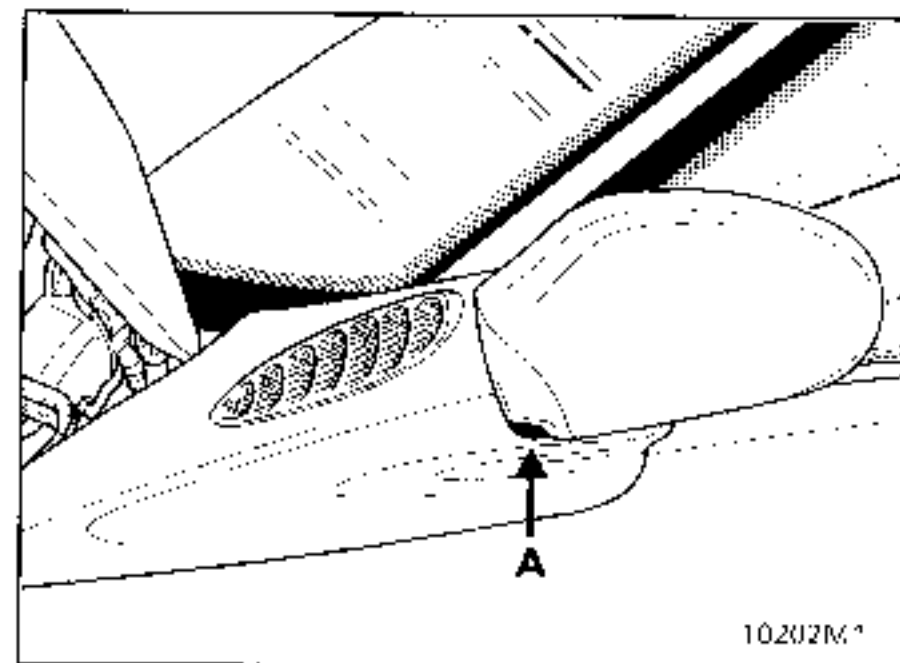


Unclip the speaker grilles.

Remove:

- the speaker mountings,
- the dashboard front section (see section 57 A).

Disconnect the rear view mirror connectors.



On the outside, fold the rear view mirror back then slacken the hexagonal bolt for each rear view mirror (A).

Remove:

- the windscreen wipers using tool FACOM Elé. 1294-01,

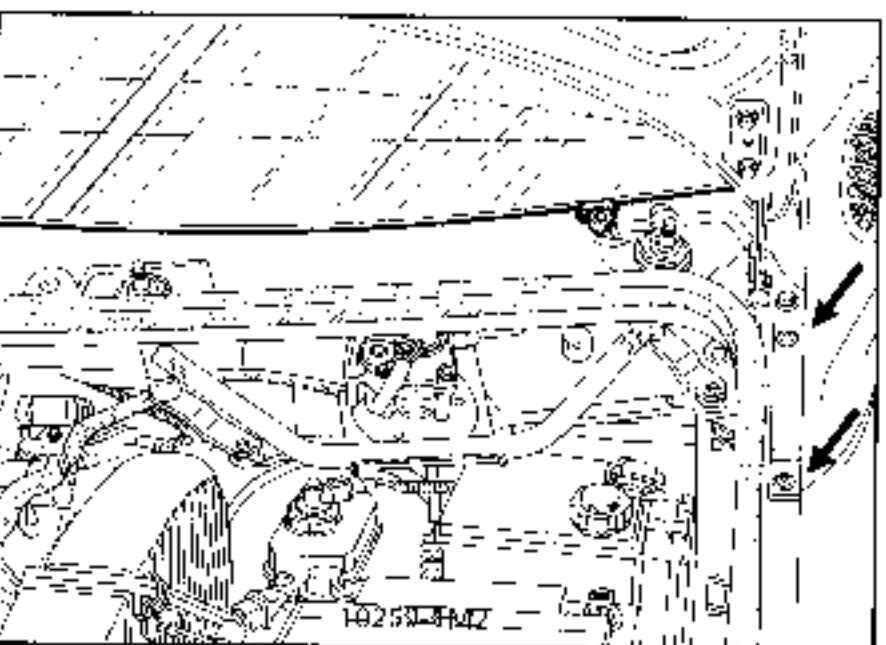
Disconnect the washer pipes.

- the scuttle panel grille (see section 42-7).

Release the rubber trims around the windscreen aperture.

Protect the areas surrounding the windscreen with wide adhesive tape (roof, deflectors, wings).

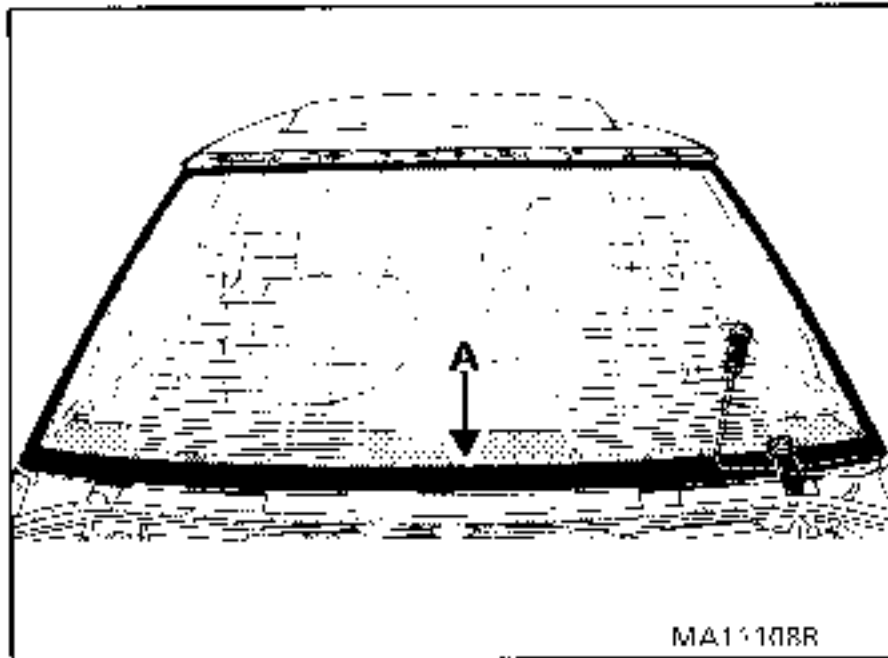
Close the bonnet.



Protect the front wings.

Open the bonnet and slacken the 2 Torx bolts for each rear view mirror.

Remove the windscreen using piano wire.



Insert the piano wire in a lower corner under the deflector pillar.

Pull the wire upwards to cut along the first pillar.

Cut the bead at the top.

Come down again to cut the second pillar.

Finish at the lower section.

Remove the windscreen.

**NOTE :**

When cutting, ensure the piano wire is correctly fitted under the windscreen, especially in the corners.

**Important:** take care when cutting by the chassis identification plate (A).

**CLEANING THE WINDSCREEN APERTURE**

Using a 15 to 20 mm wide spatula, sharpened to a cutting edge, cut and smooth off the adhesive seal so a layer 0.5 to 1 mm thick remains on the joint.

**NOTE :**  
A layer of adhesive must be left on the joint as it is used as a base for the new bead of adhesive.

Blow out the windscreen aperture to remove any loose particles of seal remaining.

**NOTE :** use dry air free of all traces of oil.

**PREPARATION OF THE APERTURE**

If the aperture has been damaged down to the galvanised metal, apply metal primer on this area only.

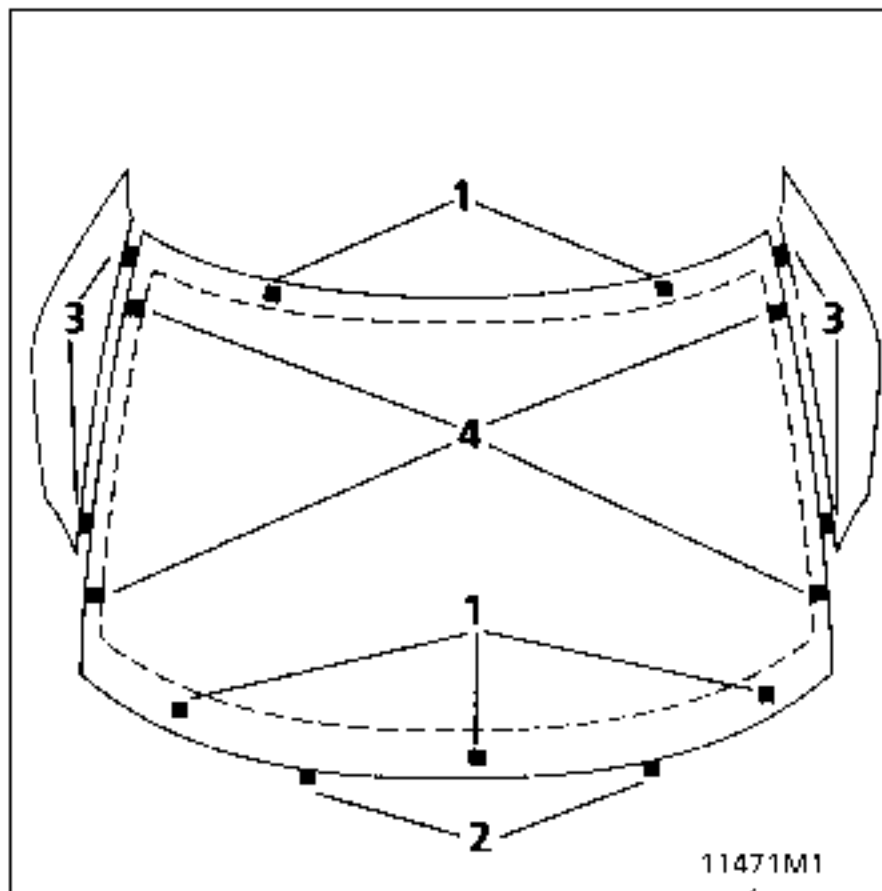
**Do not allow primer to contaminate the adhesive seal.**

If, when the windscreen was removed, the pillar finishing trims were damaged, renew them.

**SHIM LOCATION AND BONDING**

Bond the positioning shims onto the aperture.

- 1 = 5 shims      thickness – 4 mm
- 2 = Eccentric pad
- 3 = 4 shims      thickness – 5 mm
- 4 = 4 shims      thickness – 1mm



**PREPARATION OF THE WINDSCREEN**

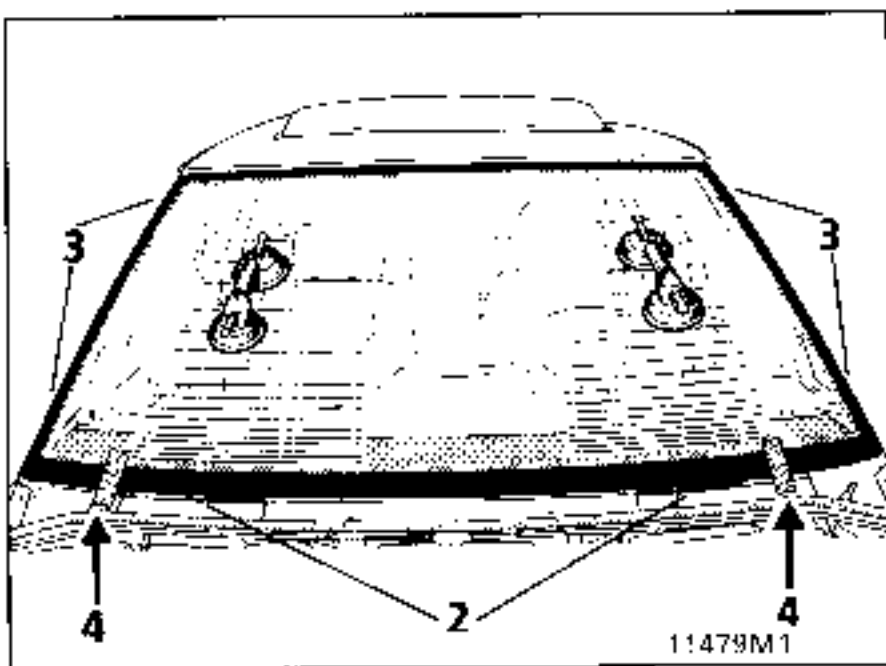
**Presentation prior to fitting:**

Before any preparation, offer up the bare windscreen to determine its central position in the aperture.

Check the shims are fitted to the aperture.

Using suckers, position the windscreen, resting it on the shims, then centre it between the deflectors using the shims (3) between each deflector and the windscreen.

Use adhesive tape (4) to mark the final position and cut the tapes.



- 2 = Eccentric pad
- 3 = 4 shims thickness 5mm

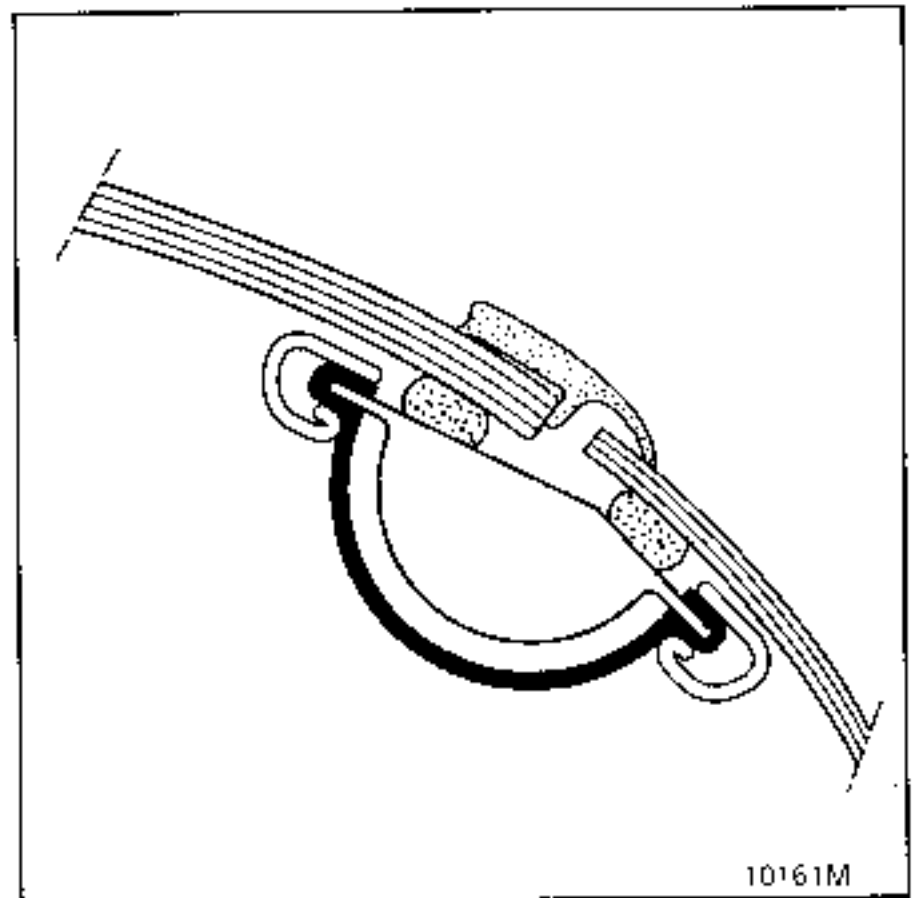
**Flush fitting between windscreen and deflectors**

The correct positioning of the windscreen determines the appearance and quality of the trim bonding.

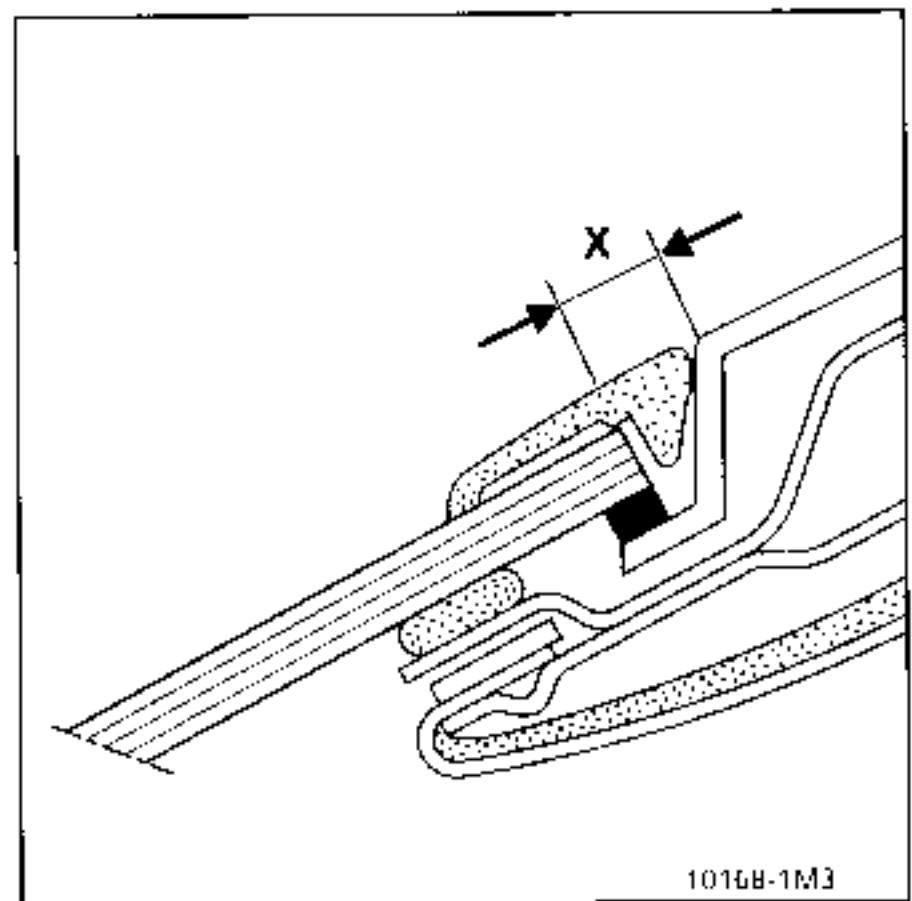
The interior trim strips must be fitted the correct way round to avoid interference with the windscreen ("snail" at passenger compartment side).

Check the flush fitting is correct around all edges, especially the lower section.

**Correct flush fitting**



**Clearance between windscreen and roof**  
X is between 9 and 10mm



Remove the marked-up windscreen.

**NEW WINDSCREEN**

Degrease the edge and enamelled section of the windscreen over a width of **30 mm**.

Wait for the solvents to evaporate.

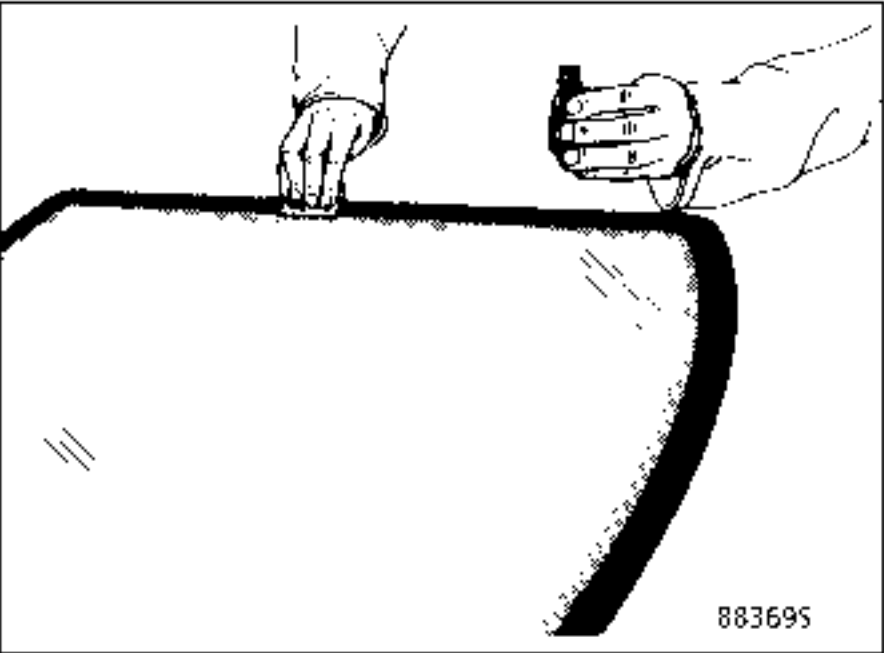
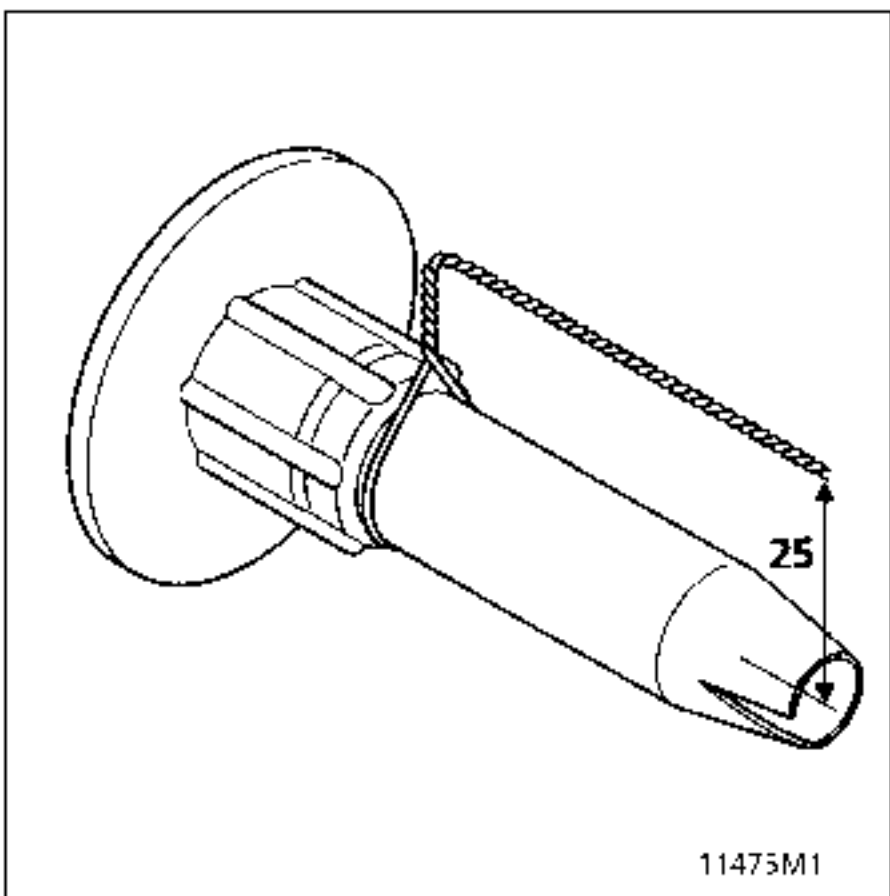
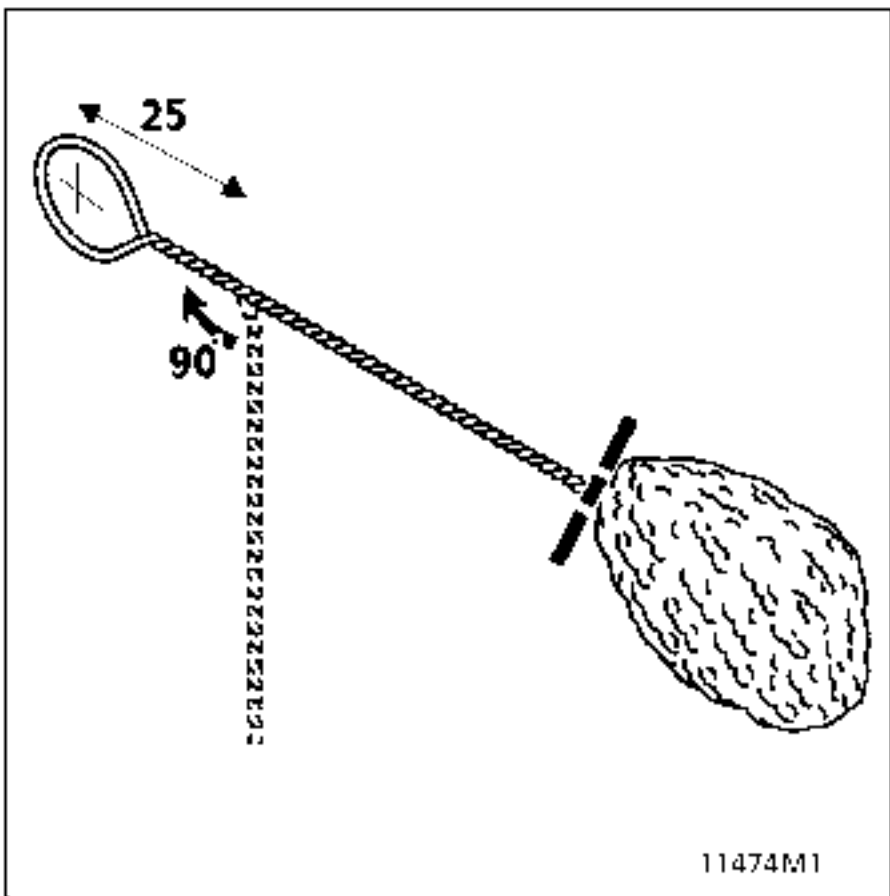
Apply a coat of primer **approximately 15 to 20 mm** wide at the sides and lower edge of the windscreen and **30 mm** wide at the top of the windscreen.

Leave to dry for approximately 5 minutes.

Carry out any necessary retouching of primer if the areas have not been correctly covered.

**Making a tool for extruding the bead at the upper edge.**

Locally made extrusion guide.

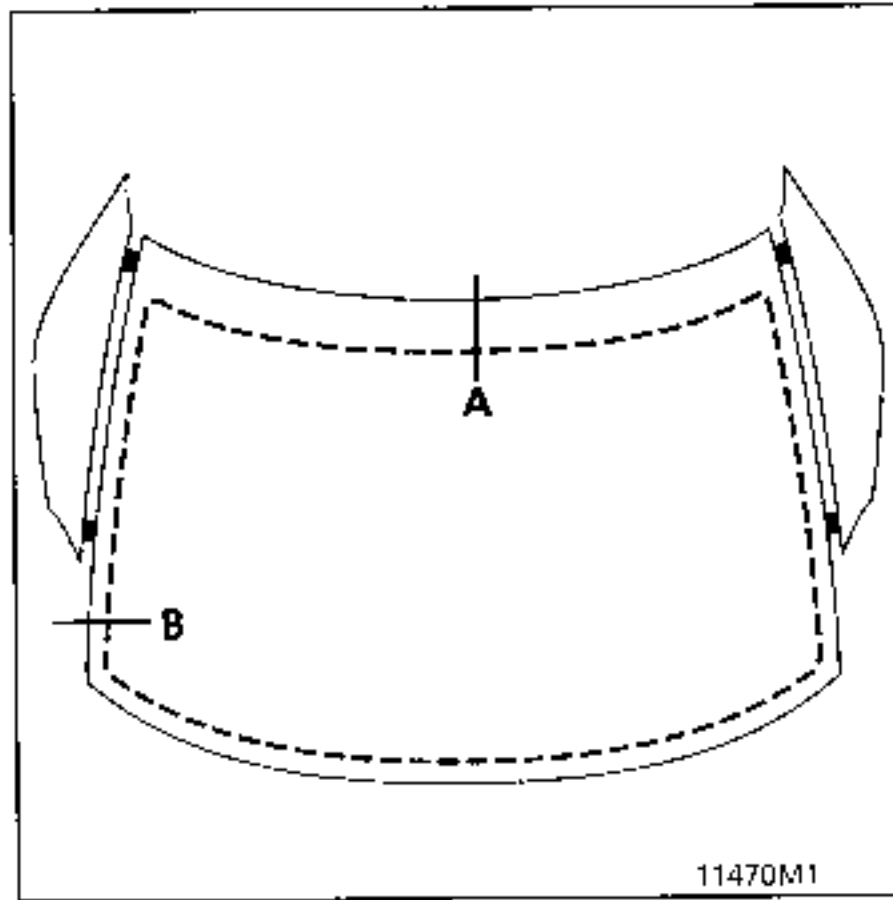


**Note:**

If the windscreen has an area which has already been coated with primer, which can be used as a guide for bonding, degrease and apply a coat of primer to these areas.

**EXTRUDING THE BEAD**

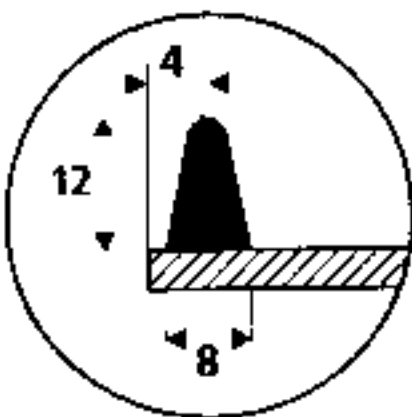
**IMPORTANT** - ensure the bead is correctly positioned at 4 mm (distance) from the three lower edges and at 25 mm (distance) from the upper edge using the locally made nozzle.



11470M1

**B**

**A**

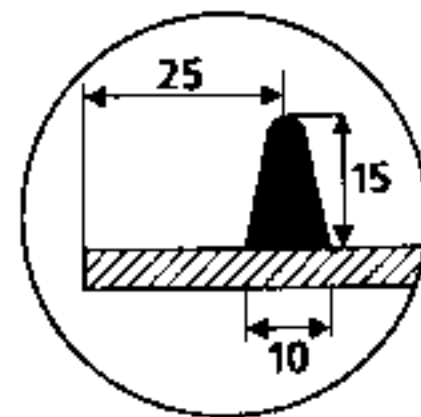


11476M1

Use the cut nozzle supplied in the kit.

**VERY IMPORTANT :**

Hold the gun so a uniform bead is produced (triangle 12 X 8).



11476-1M1

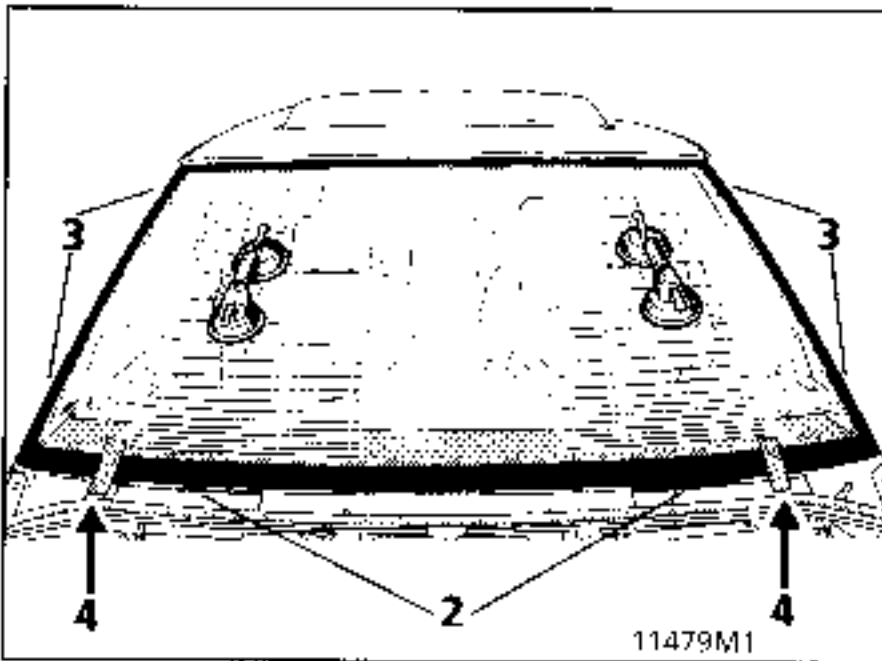
Use the locally made guide tool - see page 54.6

**VERY IMPORTANT :**

If the distance of 25 mm at the upper edge is not observed, there is a risk of water leakage and the windscreen breaking.

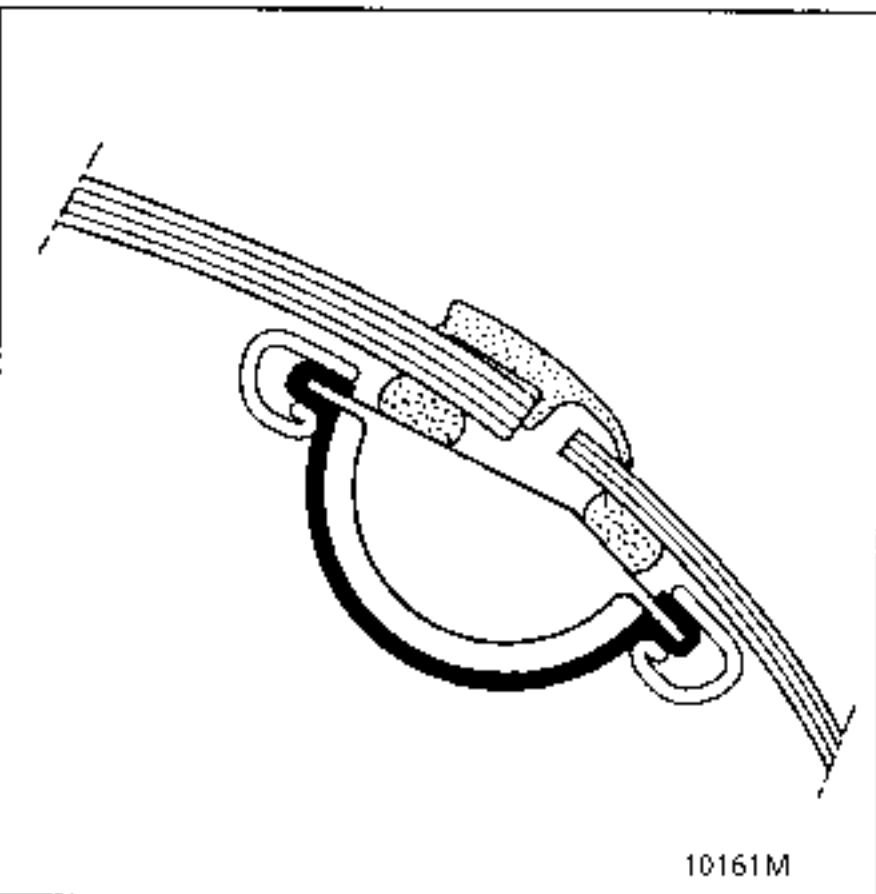
**FITTING THE WINDSCREEN**

Fit the windscreen into the aperture and centre it using the lower reference marks (4) and the shims between the windscreen and the deflectors (3).



Press with moderate pressure around the edge of the windscreen to ensure contact with the positioning shims for depth and height (2)

The windscreen should protrude 1 mm beyond the edge of the deflectors.



**Without waiting,** check the windscreen is sealed using a water spray.

If there is a leak, note the location, dry the bead off using an air spray.

Extrude a bead of adhesive of diameter 3 mm from one end to the other of the leaking area over approximately 30 mm and smooth off using a spatula dipped in soapy water.

Check the windscreen is sealed once more.

**NOTE :** the vehicle should be kept off the road (depending on the product used) for:

One pot = 3 to 4 hours

Two pot = 30 minutes

**ADVICE:**

Use this delay to run water over the edge of the windscreen to accelerate polymerisation of the adhesive seal (humidity).

**FITTING (cont)**

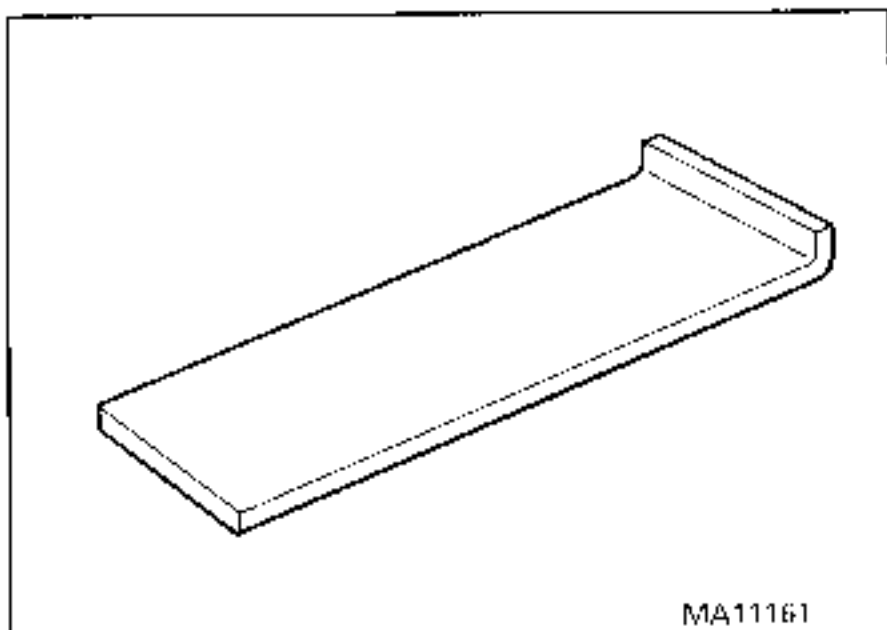
**Dashboard front section**

The foam is bonded to the windscreen aperture before the windscreen is fitted.

**FITTING THE TRIM STRIPS**

**Tooling to be used:**

- Tool for fitting finishing key (2) -locally made - panel thickness 0.7 mm.



- Roller (for wallpaper) to apply pressure to the trim strips.
- Infrared lamps (IR) or stove for preheating the trim strips.

**Preparation of the glass**

ALL PREPARATION WORK MUST BE CARRIED OUT ON CLEAN, DRY GLASS.

Degrease the bonding zone using a clean cloth soaked in heptane degreaser.

Leave to dry for 5 minutes (at 20°C).

Using an applicator from the bonding kit, apply the primer, avoiding any overflow (clean off any excess after fitting the trim strip using heptane or a razor blade).

Leave to dry for 10 minutes (at 20°C).

**DO NOT TOUCH THIS AREA AGAIN**

**Preparation of the trim strips**

OPTIMUM ADHESION IS OBTAINED WHEN THEY ARE BONDED AT A TEMPERATURE BETWEEN + 30°C AND + 40°C.

The trim strips must therefore be preheated (under lamps, in a stove or on a radiator) just before they are bonded.

**Bonding the trim strips**

The protective film on the adhesive should be peeled back as the strip is fitted. After the operation, press down hard on the adhesive using a roller.

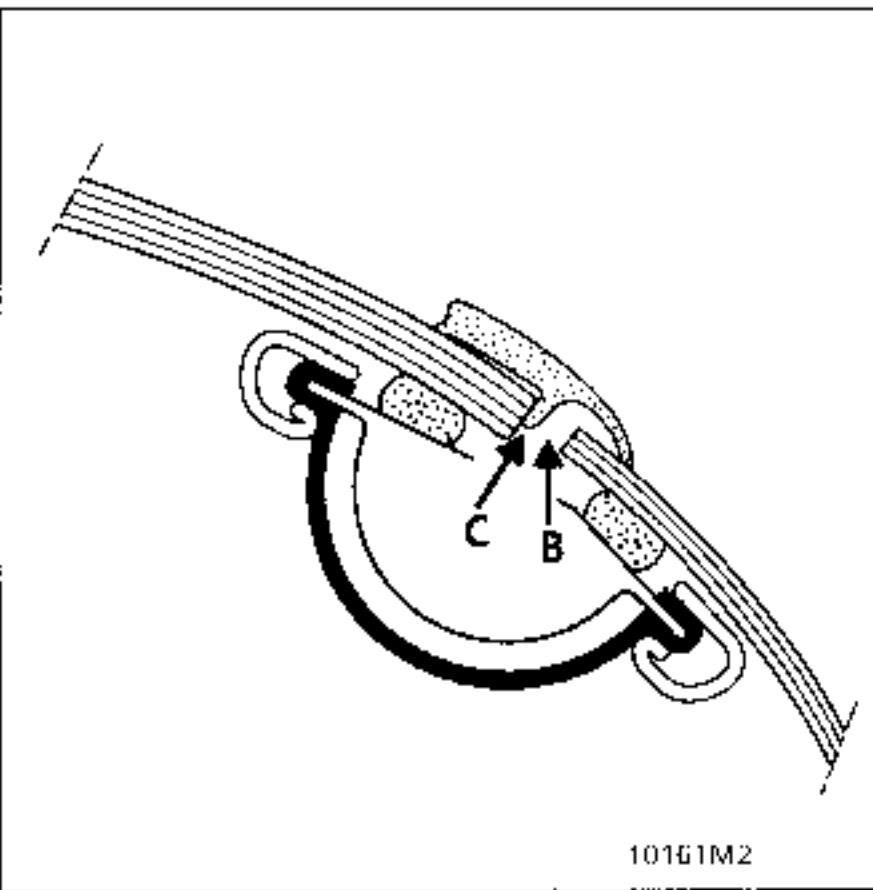
IF THE ADHESIVE PEELS OFF, THE TRIM STRIP MUST BE RENEWED.



### Fitting the windscreen trim strips

**Important:**

Use a water spray to check the windscreen is sealed and retouch if necessary before fitting the trim.



**Important:** Do not apply windscreen adhesive in the rain channel (B) or in the upper corners to allow:

- the heel of the trim strip (C) to be fitted,
- water to drain away.

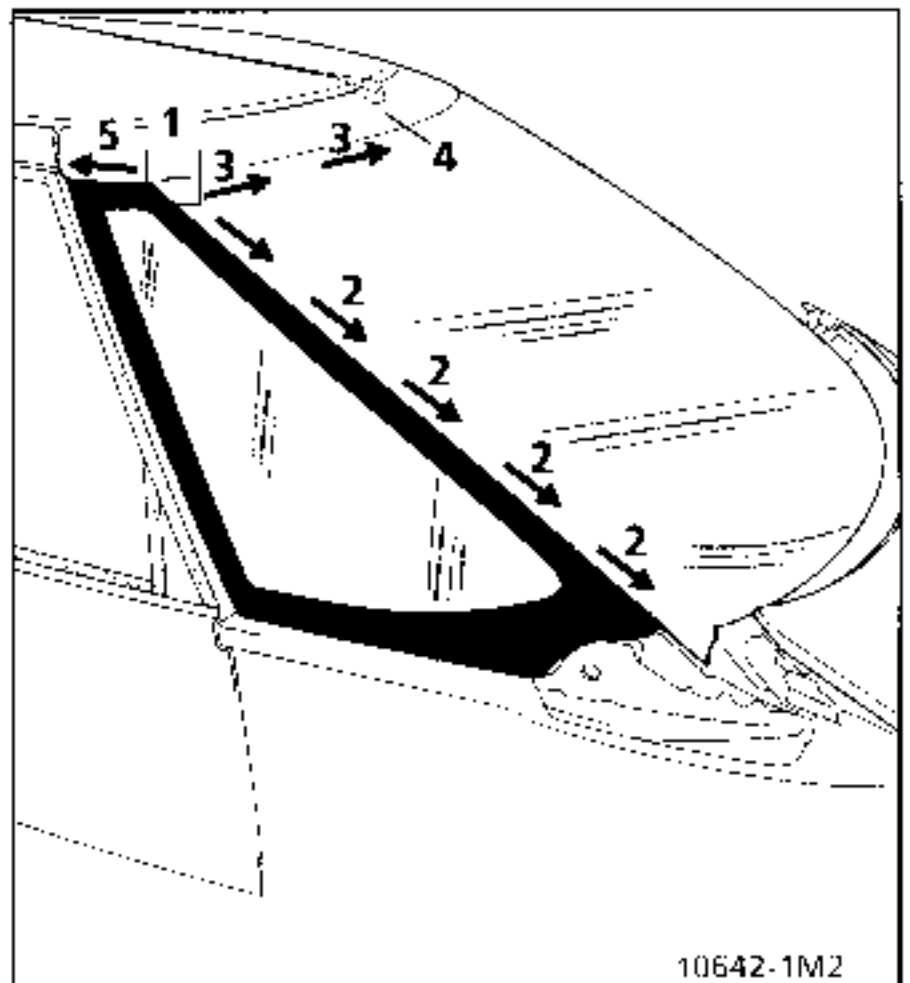
### Bonding the trim strips

1. Align the upper corner with the top of body; bond.
2. Align the heel (C) on the edge of the windscreen; tighten the trim strip and bond the adhesive to the deflector glass.
3. Align the trim strip on the edge of the roof; tighten it and bond it to the windscreen except for the last few centimetres.
4. Adjust the length of the strips if necessary, cutting them in line with the aerial.
5. Release the deflector upper trim:

Align and bond the upper corner of the deflector incorporated in the windscreen trim along the top of body.

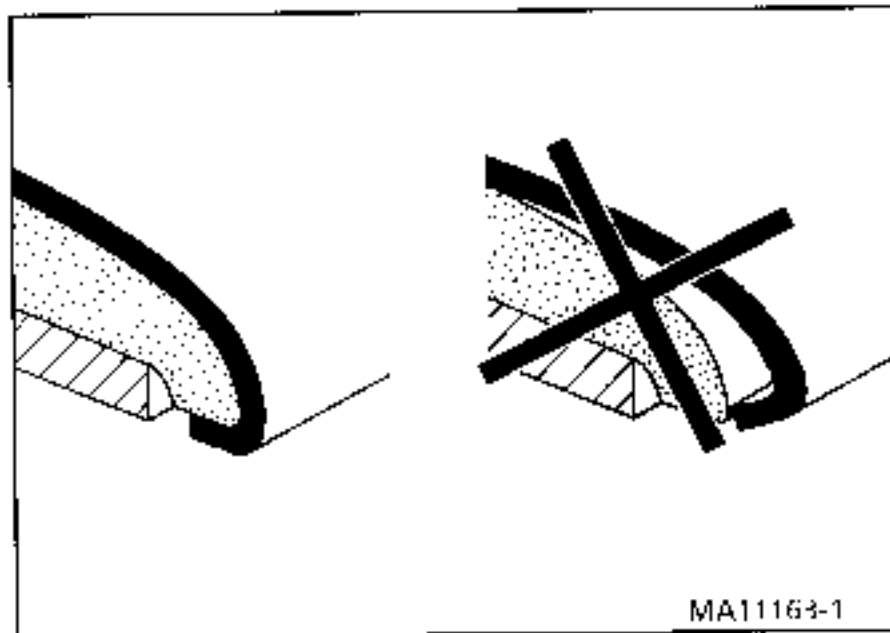
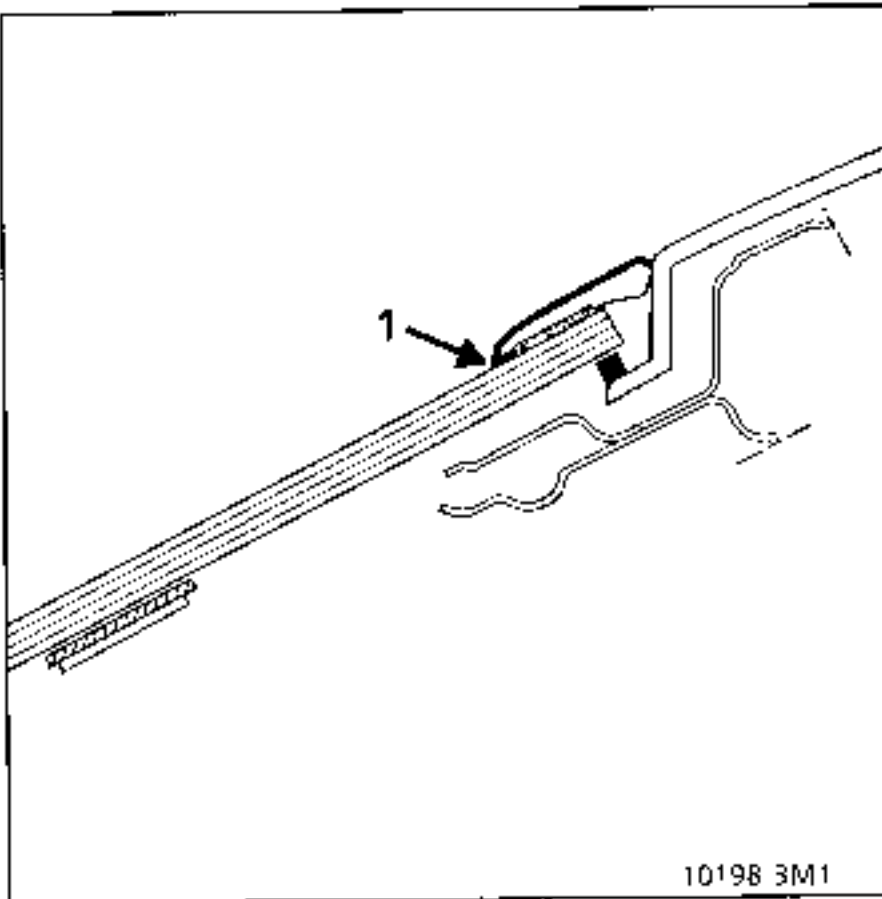
At the rear, bond using double sided adhesive to the deflector rear trim.

**DO NOT REMOVE THE ADHESIVE PROTECTIVE FILM ON THE END OF THE STRIPS BEFORE CUTTING.**



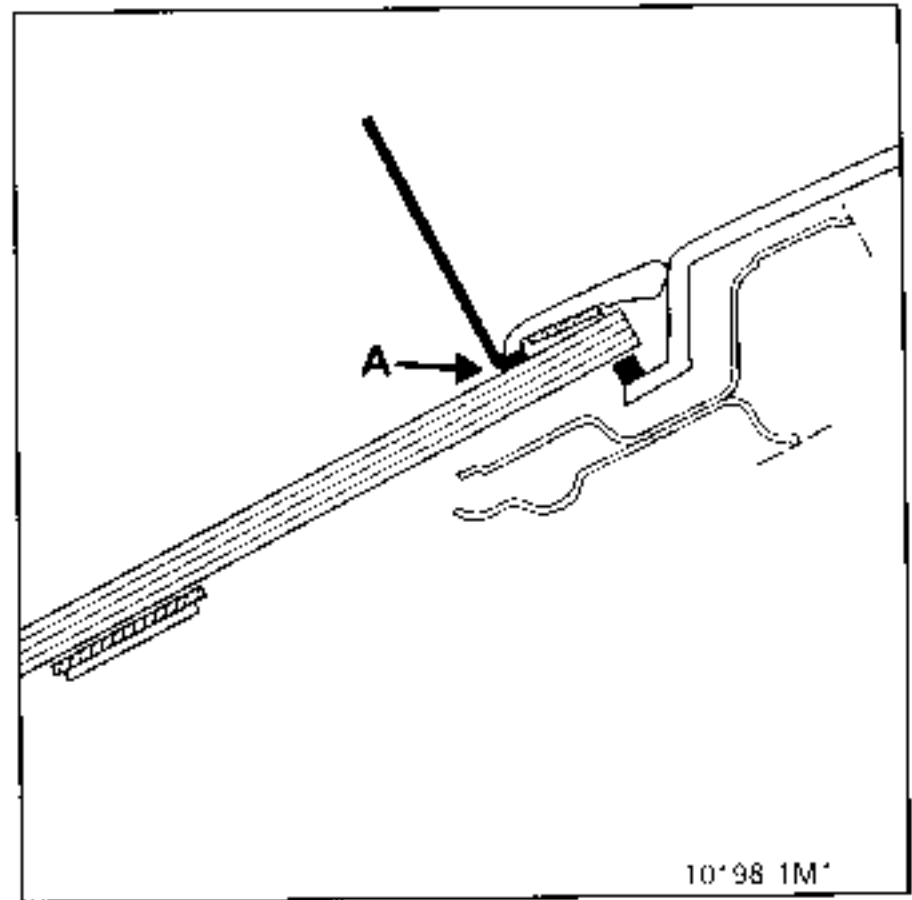
**FITTING THE KEY**

The key is not able to be fitted by pressing by hand as the folded section (1) will not clip in under the trim : **it may be lost.**

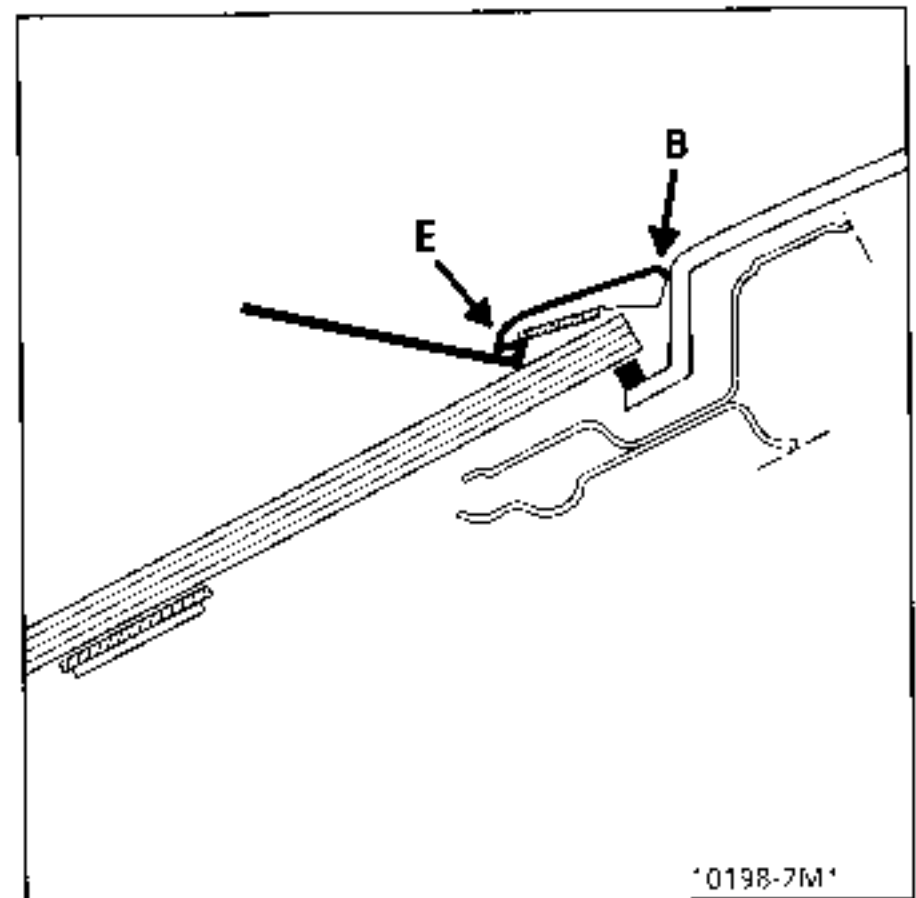


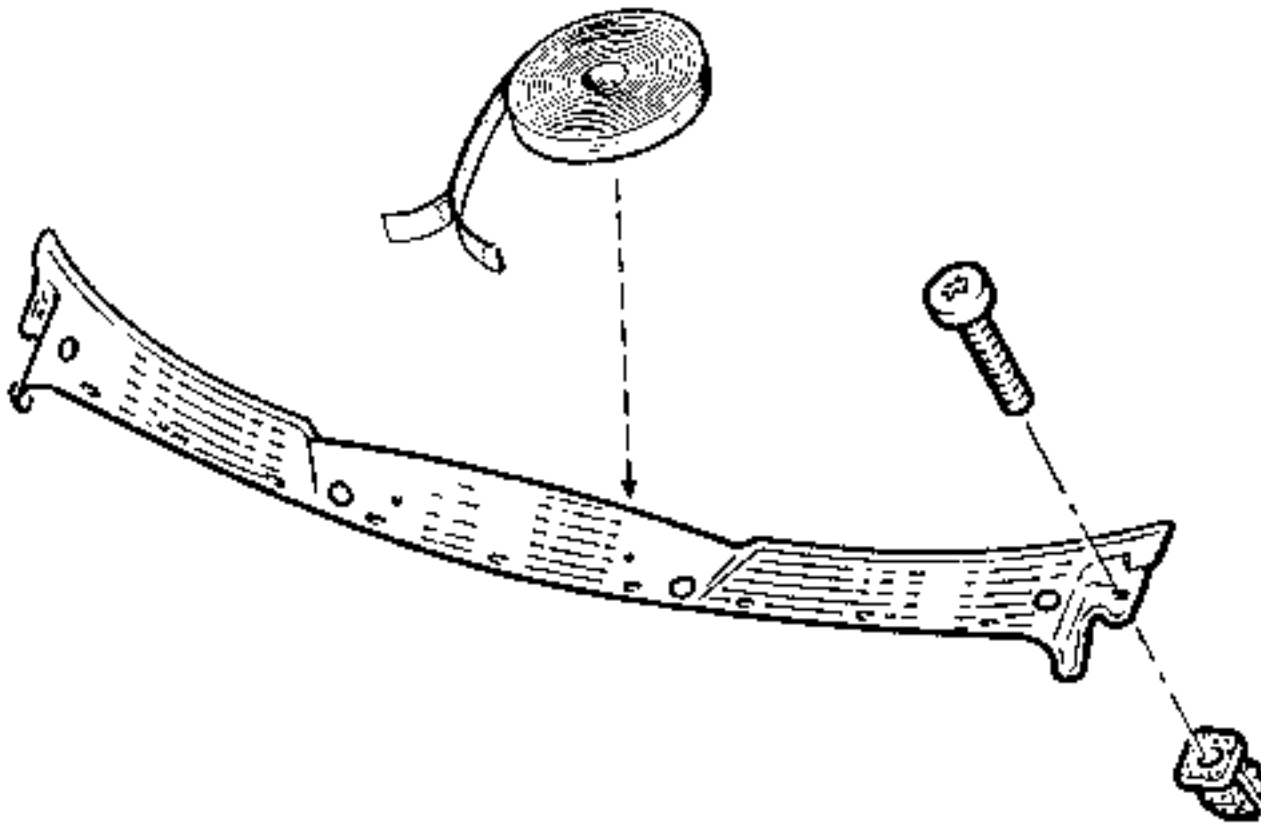
**Correct fitting operation using locally made tool**

1. Insert the folded over section (A) of the tool 2 mm under the edge of the trim strips.
2. Tilt the tool forwards to release the edge.



3. Clip the folded section (B) of the key to the trim strip.
4. Press forwards on the flat section of the key and clip the folded section (E).
5. Return the tool to the vertical position and remove it.
6. Check that the key has been correctly fitted.





PRA5401

### Fitting the scuttle panel

Before fitting the adhesive supplied in the kit to the scuttle panel, primer 210T must be applied to the bonding zone on the scuttle panel :

Part Number 60 25 071 207 (drying time 10 minutes at 20°C), (see section 42).

Refit:

- the rear view mirrors,
- the windscreen wipers.

Fit the wipers and wiper arms according to the reference marks on the windscreen.

Tighten the nuts to **3.2 DaN.m**.

**Refit the dashboard front section.**

Check the operation of:

- the radio,
- the wipers,
- the rear view mirrors.

**REMOVAL**

Tooling and product (see section 50 "GENERAL").

Remove:

- the rear view mirror,
- the trim strips,
- part of the door snap rivet,
- the lower console,
- the heating control.

Lift the cloth strip to reach the side window demisting vent.

Protect the aperture edges using wide adhesive tape in double thickness.

The window may be removed using conventional equipment (piano wire).

Remove the deflector using piano wire.

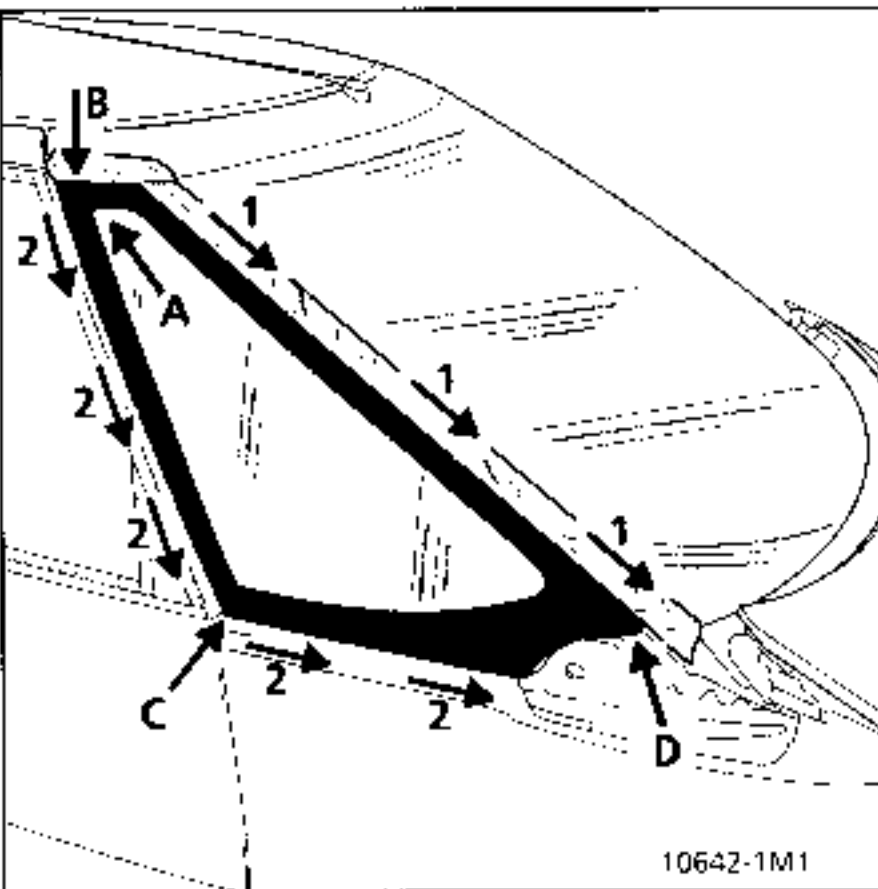
Cut the adhesive seal at (B), (C) and (D) using a sharp tool to make removing the seal easier.

At (A), thread through a piece of piano wire.

Fit the picking tool and the handle.

Begin cutting following (1), then following (2), and cut the corner (D) from the inside using a sharp tool, moving the window to one side slightly.

**IMPORTANT :** during this operation, check that the piano wire is correctly fitted under the window, especially in the corners, so the window is not damaged.

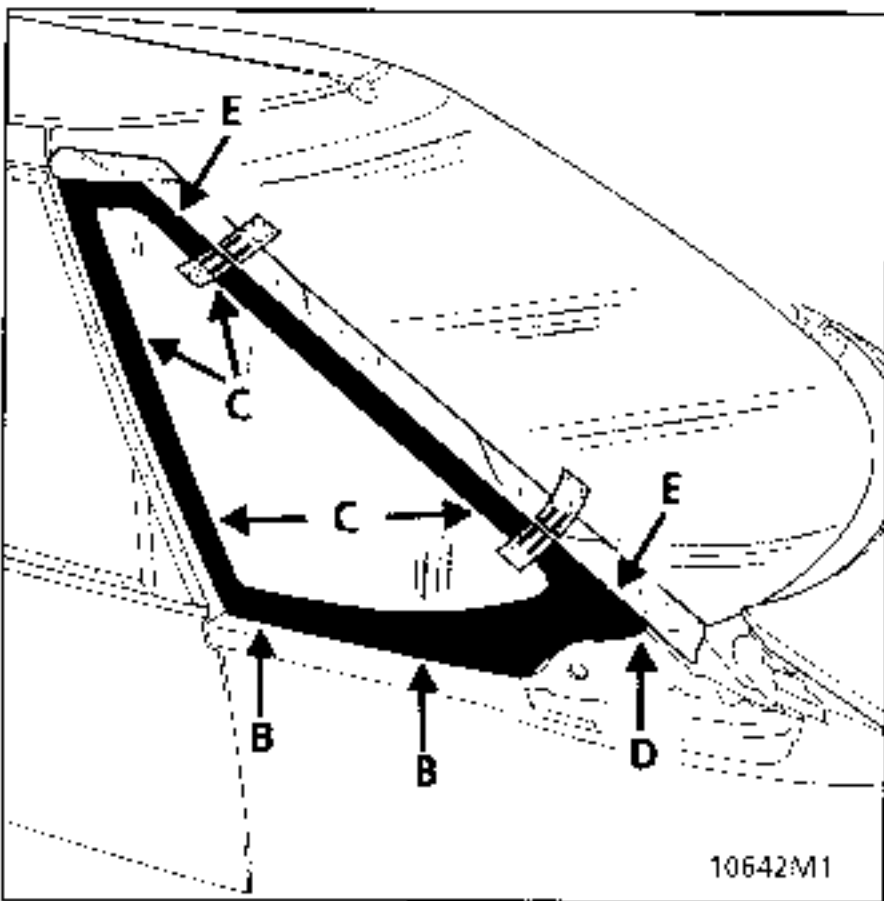


**CLEANING THE APERTURE AND PREPARING THE GLASS**

Follow the instructions for the windscreen.

**REFITTING.**

Fit the window bare to centre it.

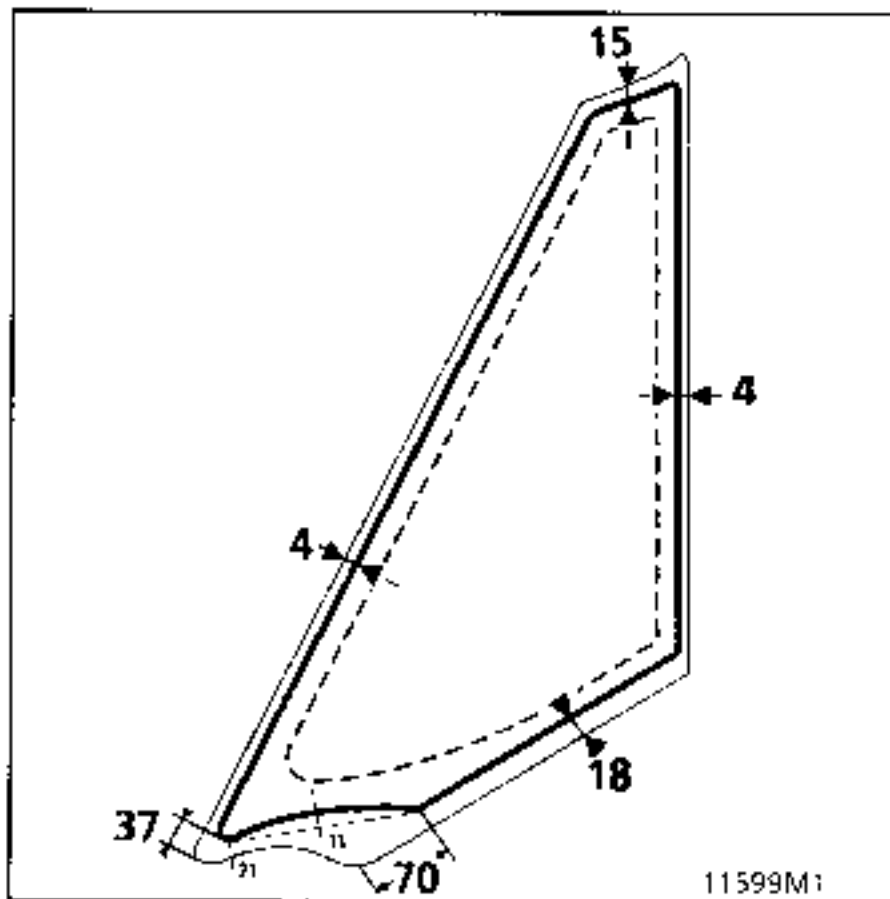


**B** = 4 mm (1x4) quantity 2    **C** = 1 mm quantity 4  
**D** = 5 mm                      quantity 1    **E** = 5 mm quantity 2

Fit shims (B) to the wing, shims (C) to the trim mounting strips on the aperture, shim (D) to the deflector.

Offer up the window, position shims (E) between the windscreen and the front side of the deflector, note the position of the deflector using adhesive tape.

**FITTING THE ADHESIVE SEAL**



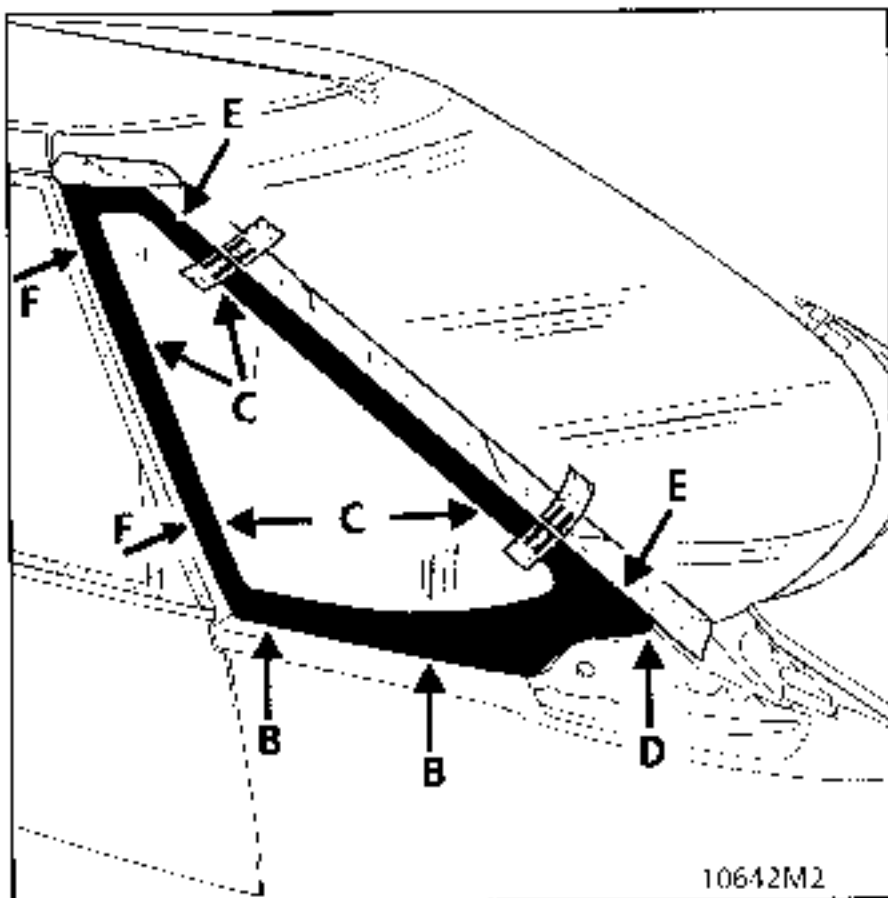
Extrude :

- the bead at 4 mm (distance) on both upper sides,
- the bead as shown on the diagram for the lower section so the wing is not bonded.

**Note :**

To remove the bead at the front, a positioning template is provided in the repair kit.

FITTING



Offer up the window and position it using the reference marks made using adhesive tape and the shims (E) to give a minimum clearance of **5 mm** with respect to the edge of the windscreen.

Press on the glass until it touches the shims (C) and (D).

Check the continuity of the connecting radius with the windscreen, to ensure the side trim is correctly fitted.

Fit the adhesive (provisional measure) to hold the glass in its final position (F).

**Without waiting:** check the window is sealed using water spray. If there is a leak, follow the instructions for the windscreen.

Leave the adhesive seal to dry for 4 hours for a one pot adhesive and 30 minutes for a two pot adhesive.

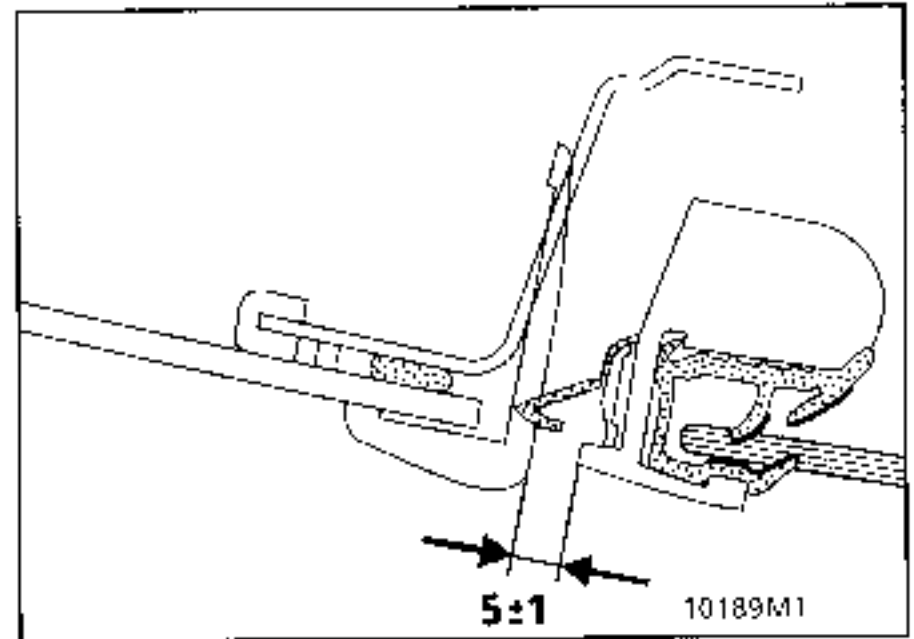
Remove shims (B),(C) and (E)and (D).

Note: after replacing a window, the sealing check should be carried out before fitting the trim.

Fitting the side window trim strips

Fit the trim and close the door.

Starting from the top, align it with the top of body and gradually peel back the adhesive protective film, taking care to ensure a clearance of 5 mm all the way down with respect to the door frame - see diagram below.



### REMOVAL

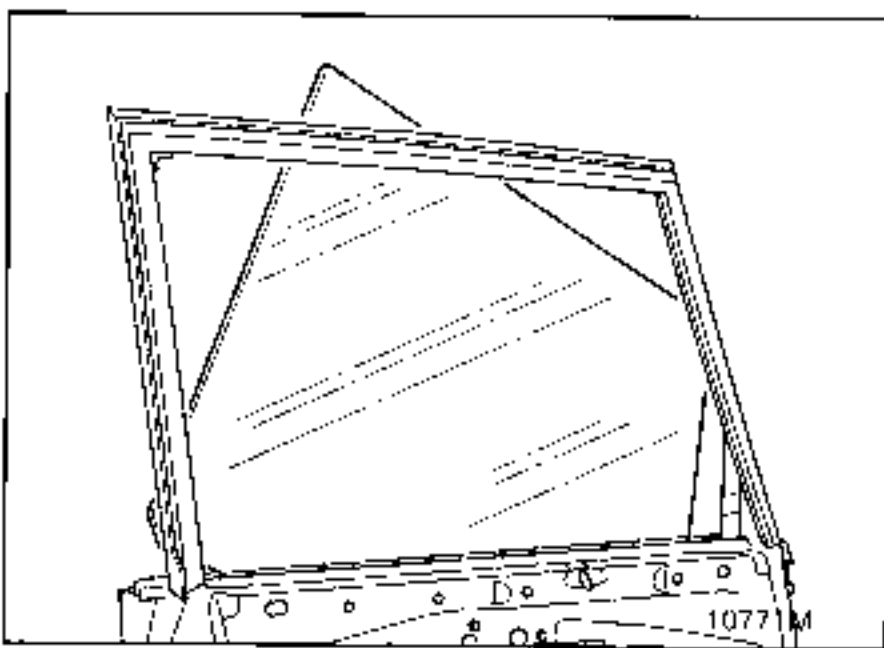
Remove:

- the interior and exterior triangles,
- the lining,
- the interior and exterior weatherstrips,
- the sealing vinyl.

Lower the slider guide assembly.

Remove the mountings.

Remove the window upwards, pivoting it as shown in the diagram.

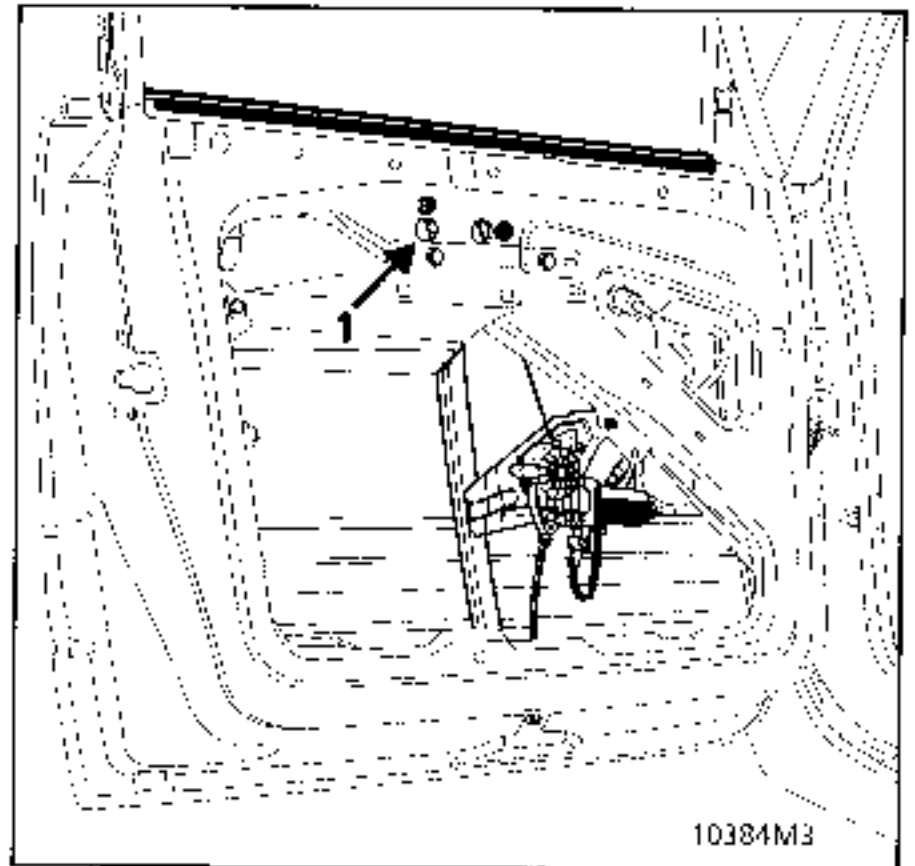


### ADJUSTMENT

Fit the window but do not lock it.

Refit the slider guide assembly and the window in the closed position.

Lock the bolts (1).



### REFITTING

Refit:

- the interior and exterior weatherstrips,
- the sealing vinyl,
- the lining,
- the interior and exterior triangles.

## REMOVAL

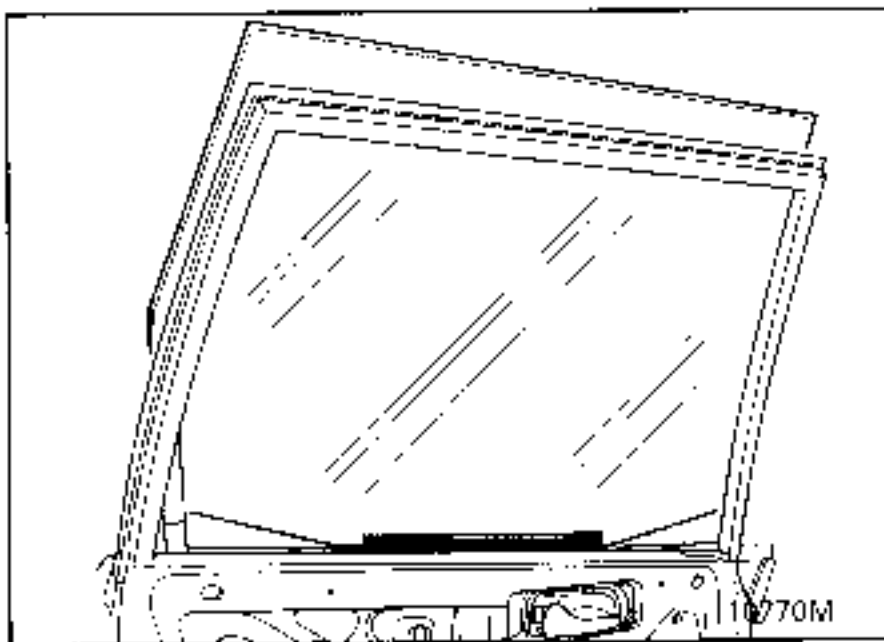
Remove:

- the interior and exterior triangles,
- the lining,
- the interior and exterior weatherstrips,
- the sealing vinyl.

Lower the slider guide assembly.

Remove the mountings.

Remove the window upwards, pivoting it as shown in the diagram.

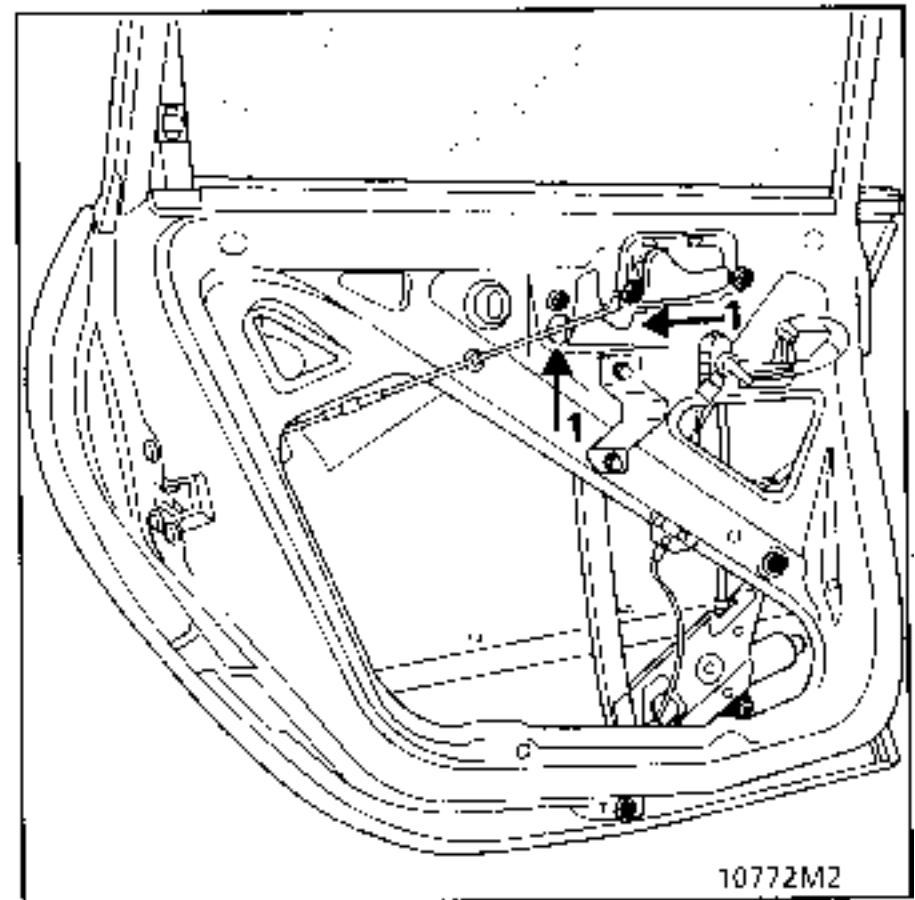


## ADJUSTMENT

Fit the window but do not lock it.

Refit the slider guide assembly and the window in the closed position.

Lock the bolts (1).



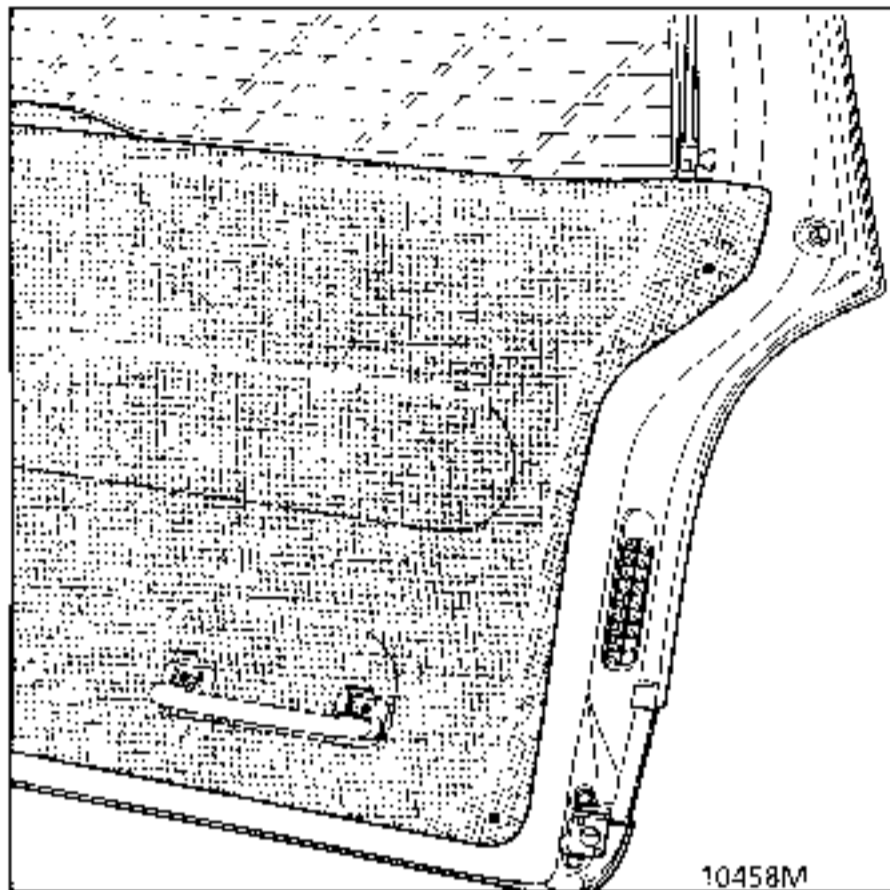
## REFITTING

Refit:

- the interior and exterior weatherstrips,
- the sealing vinyl,
- the lining,
- the interior and exterior triangles.



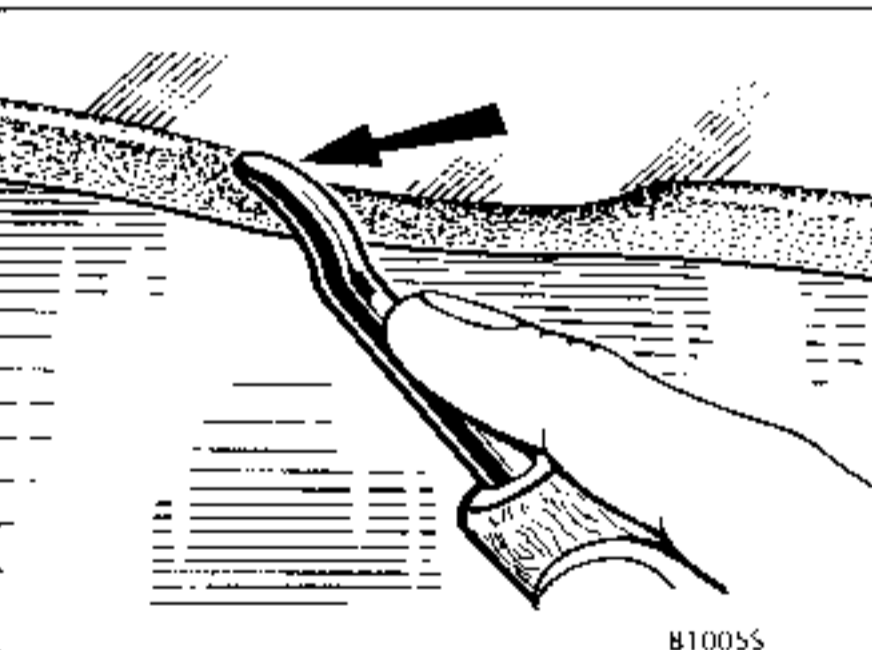
REMOVAL



Remove the wiper arm.

Disconnect the heated screen wires.

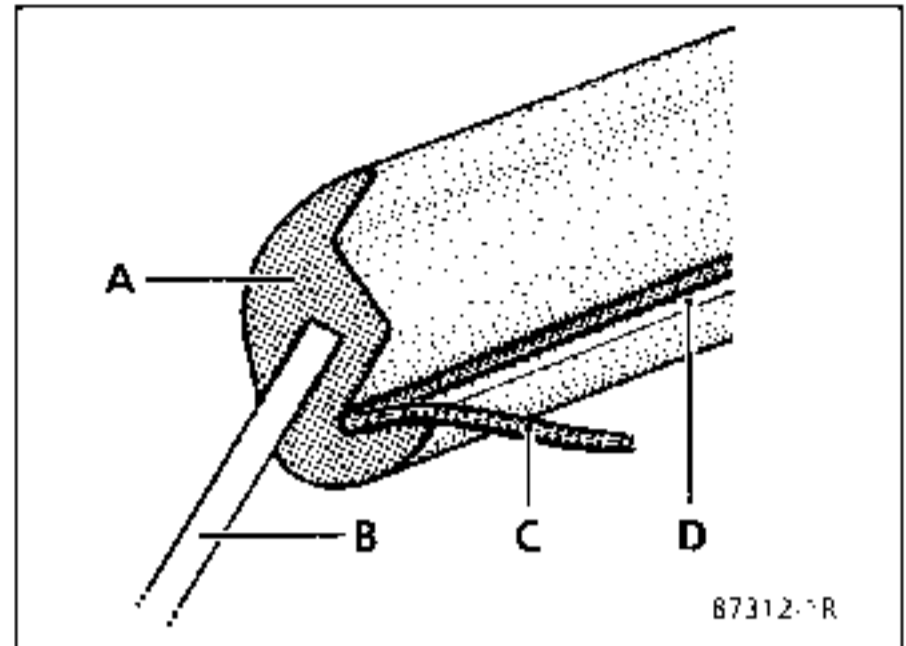
Remove the tailgate trim.



Using a flat bladed screwdriver, which is not sharp-edged, move the inner lip of the seal over the tailgate aperture joint.

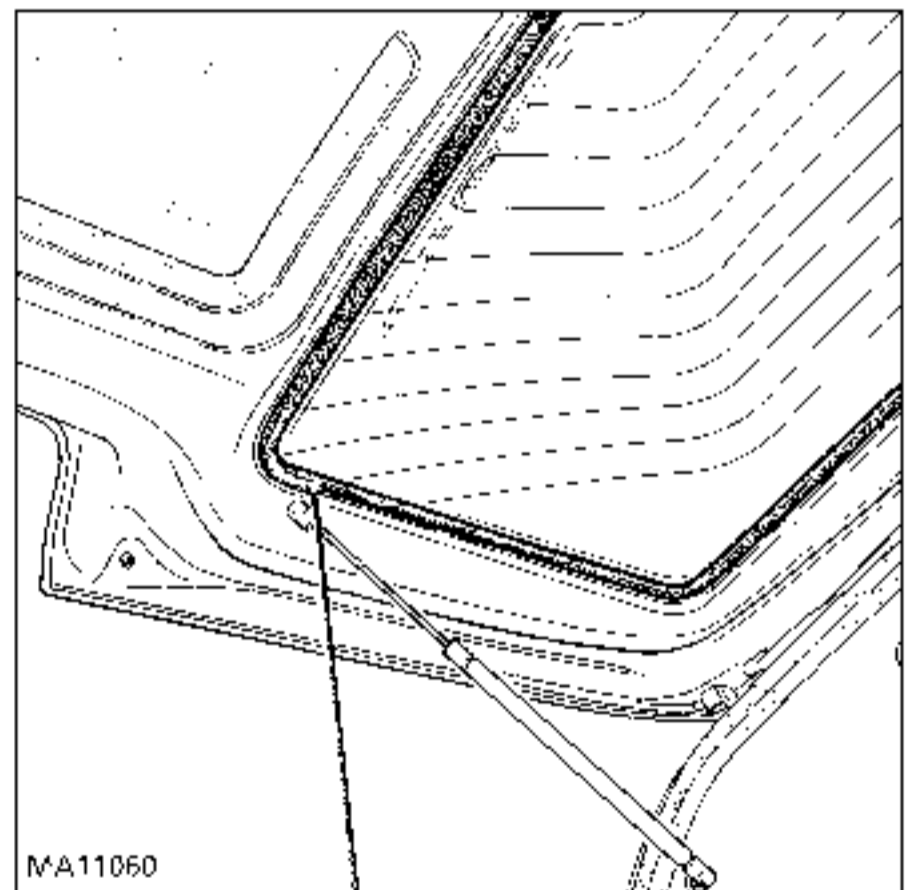
Remove the window with its seal.

REFITTING



Fit the rubber seal (A) on the glass (B), fit the cord (C) into groove (D) so that the ends of the cord come out of the groove at the lower part of the window.

Overlap the ends of the cord for 200 mm.



Offer up the assembly into the window aperture, bringing the ends of the cord into the inside.

Begin pulling one end of the cord to move the lip over the joint.

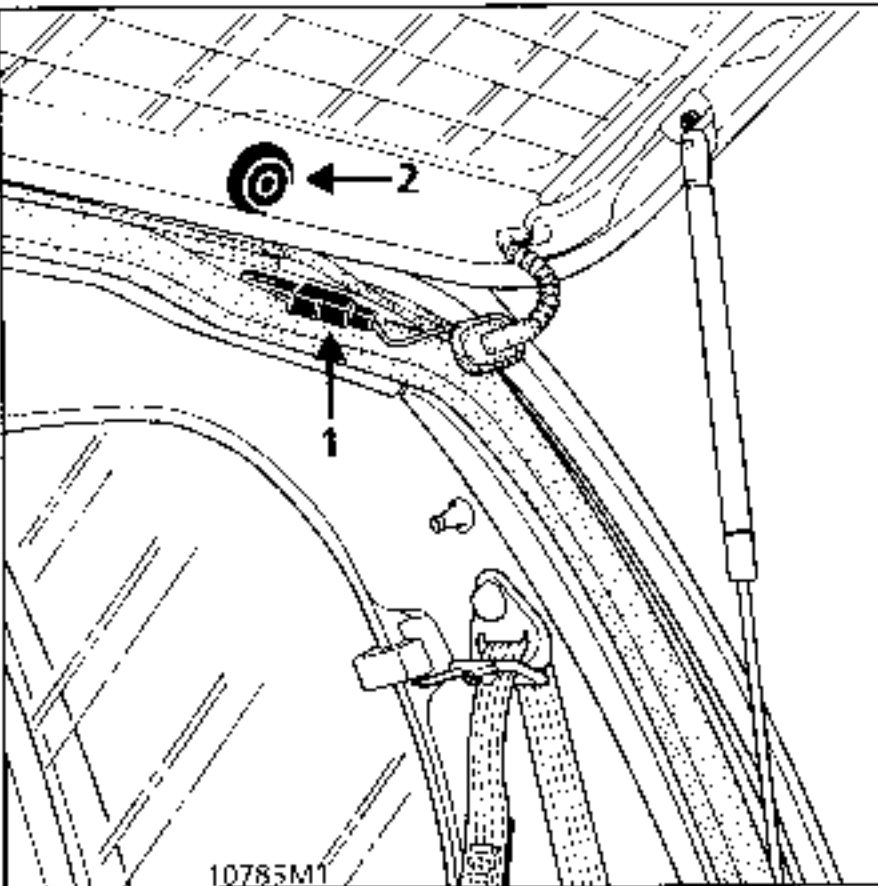
As the cord is removed, help it along by pressing on the outside of the glass when the cord reaches the window axis.

Repeat the operation with the other end of the cord.

### REMOVAL

Open the opening window.

Unlock and remove the hydraulic compensators.



Disconnect the heated screen wires (1).

Remove:

- bolts (2),
- the window with its seal.

### REFITTING

Offer up the window and seal assembly which centres itself automatically in the tailgate aperture.

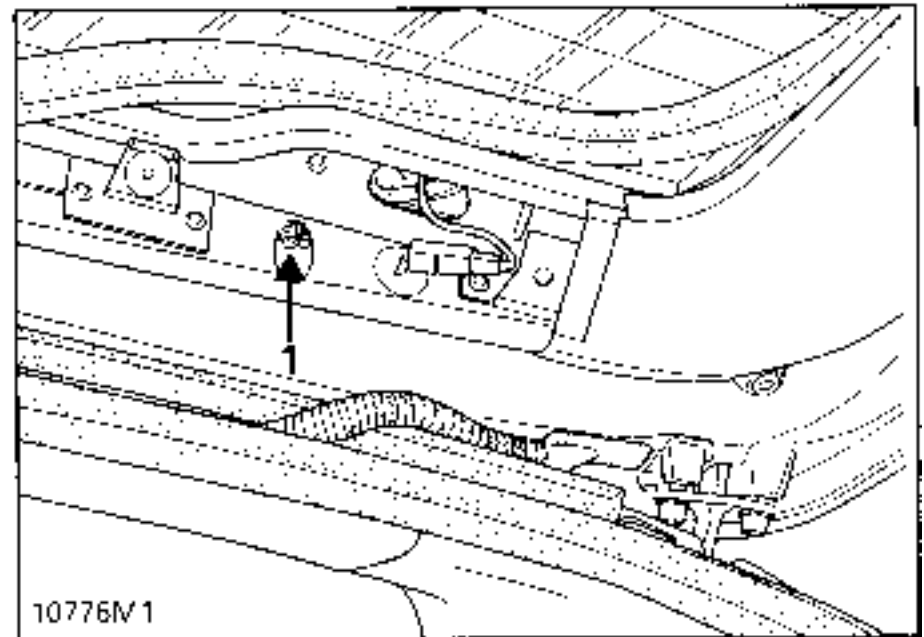
### ADJUSTING

Secure the window and lock it.

Reconnect the heated screen wires (1).

Refit the hydraulic compensators.

### REMOVING THE HINGES - COMPLETE ASSEMBLY

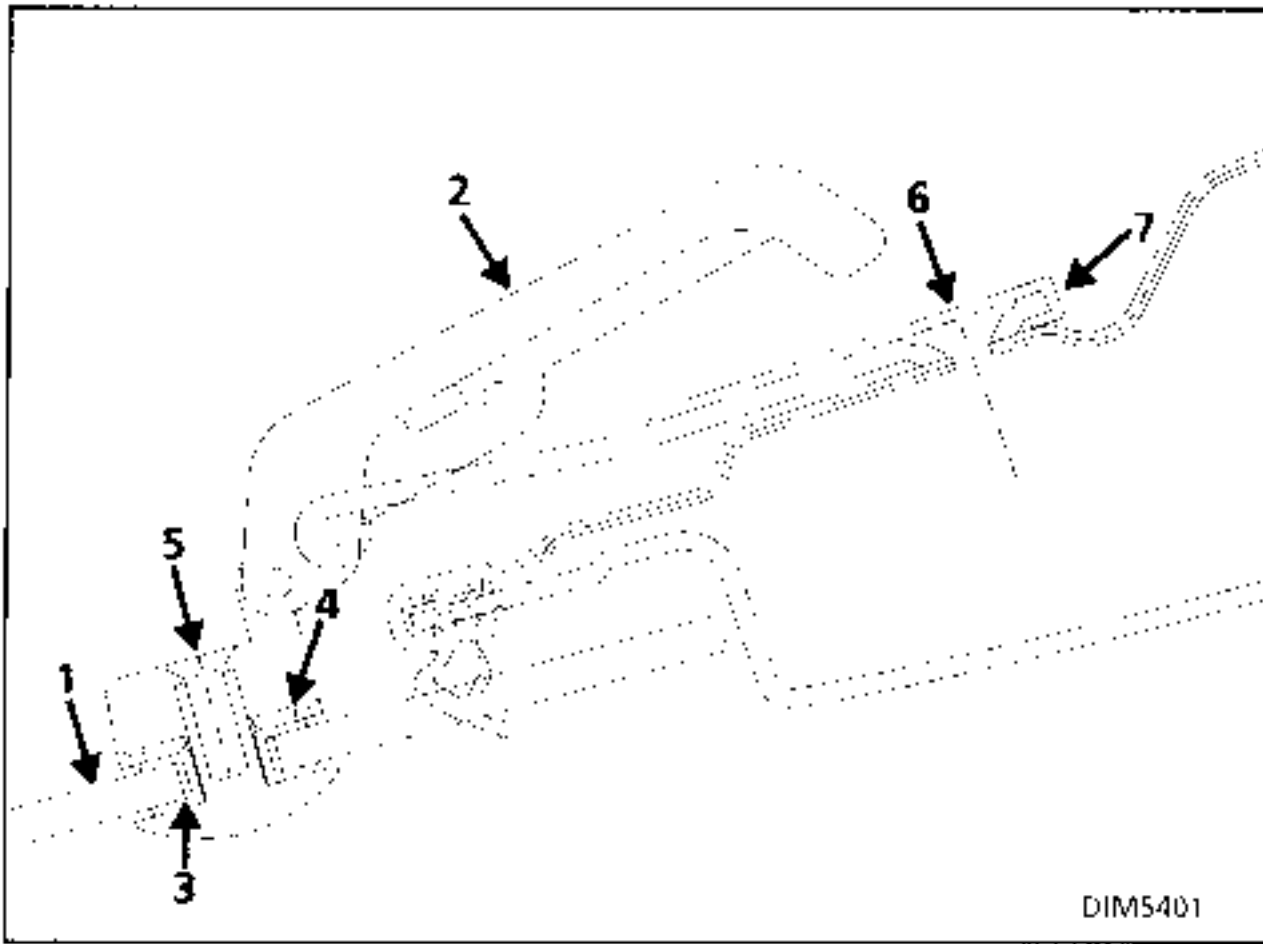


Remove:

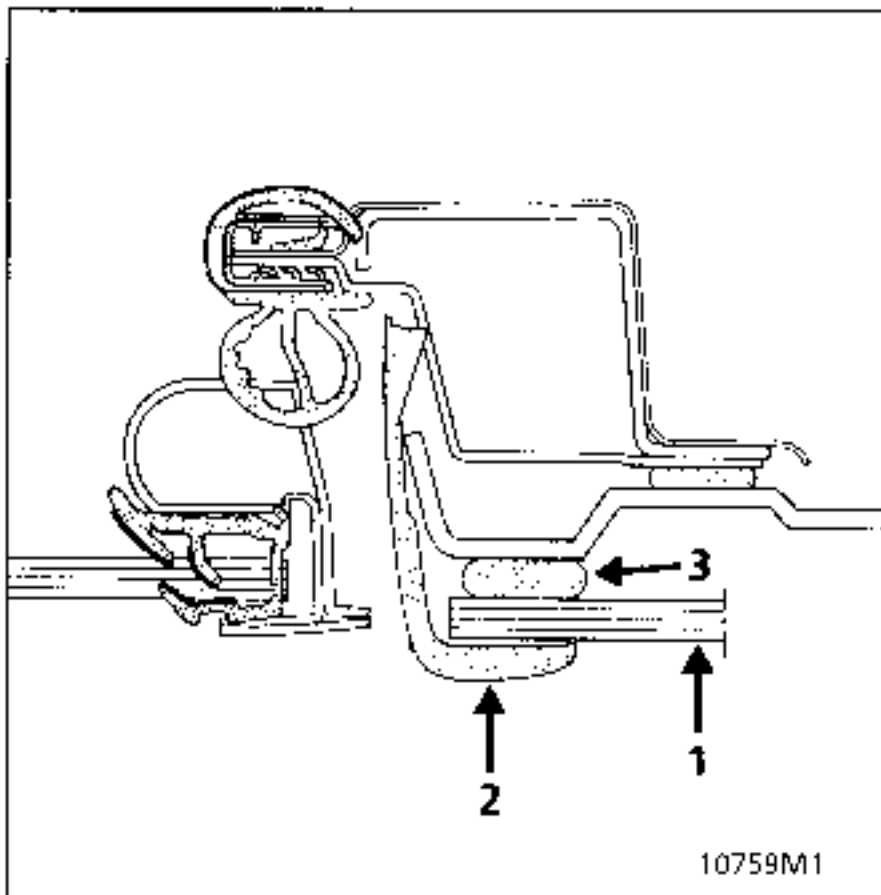
- the tailgate moulded trim - section 73,
- the mounting bolts (1).

DESCRIPTION OF MOUNTING

Locking system



- |                  |                                |
|------------------|--------------------------------|
| 1 Glass          | 5 Lock mounting bolt on window |
| 2 Lock           | 6 Lock mounting bolt on body   |
| 3 Spacer         | 7 Cover                        |
| 4 Sealed washers |                                |



Articulation

- |                 |
|-----------------|
| 1 Glass         |
| 2 Trim          |
| 3 Adhesive seal |

**REMOVAL**

**Tooling and products**  
(see section "GENERAL").

**Rear door open**

Remove:

- the door snap rivet, partially,
- the trim,
- on the inside, the base cover and the 3 base mounting bolts for the locking mechanism.

Apply adhesive tape to the aperture to avoid damaging it.

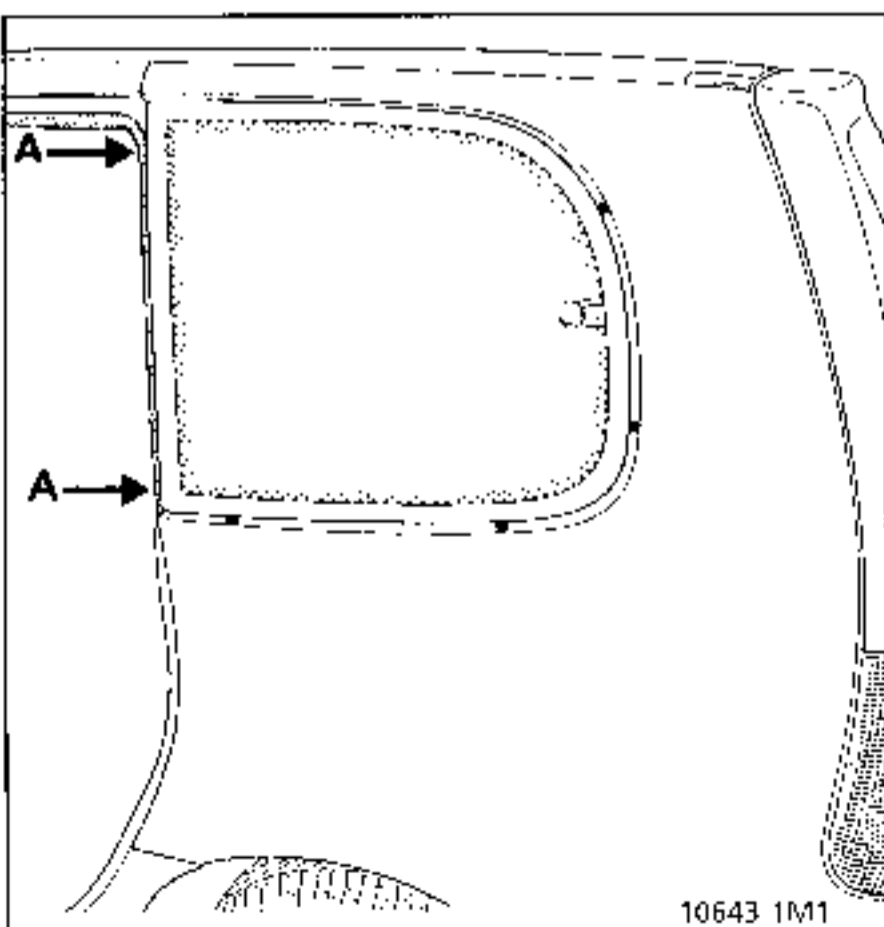
Cut out the adhesive seal, from the inside, from the top to the bottom using a cutting tool with the window part open.

**CLEANING THE APERTURE**

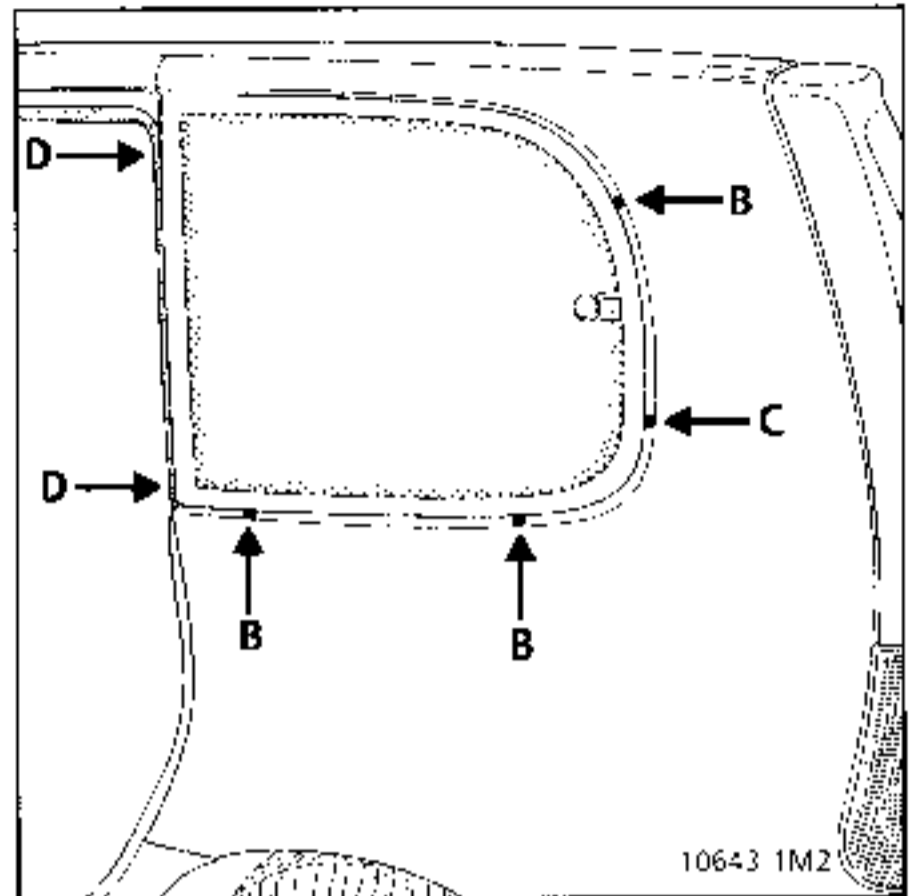
Follow the instructions for the windscreen.

Fit:

- the locking assembly without locking it,
- adhesive shims (A) at each end of the glass, then apply a bead of adhesive seal between them at 4 mm (distance) from the front vertical section.



**A = 4 mm**      quantity 2



**B = 2 mm (1x2)** quantity 3

**C = 3 mm (1x3)** quantity 1

Fit shims (B) and (C) to the aperture.

**FITTING**

Offer up the window and position it using the shims (B) and (C) then press on the glass until the seal touches shims (A) then secure the lining.

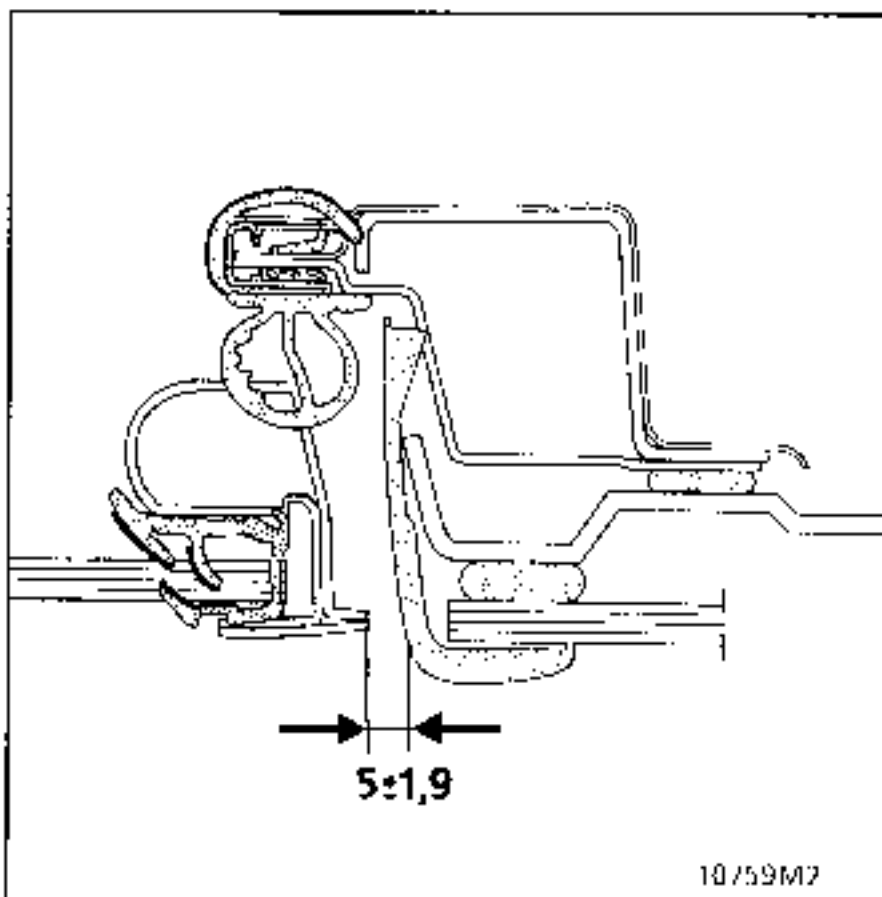
Apply adhesive tape (temporary measure) to hold the glass in position (D).

Fit the locking plate to the structure, lock the mounting on the glass and lock the window.

### Fitting the trim strip

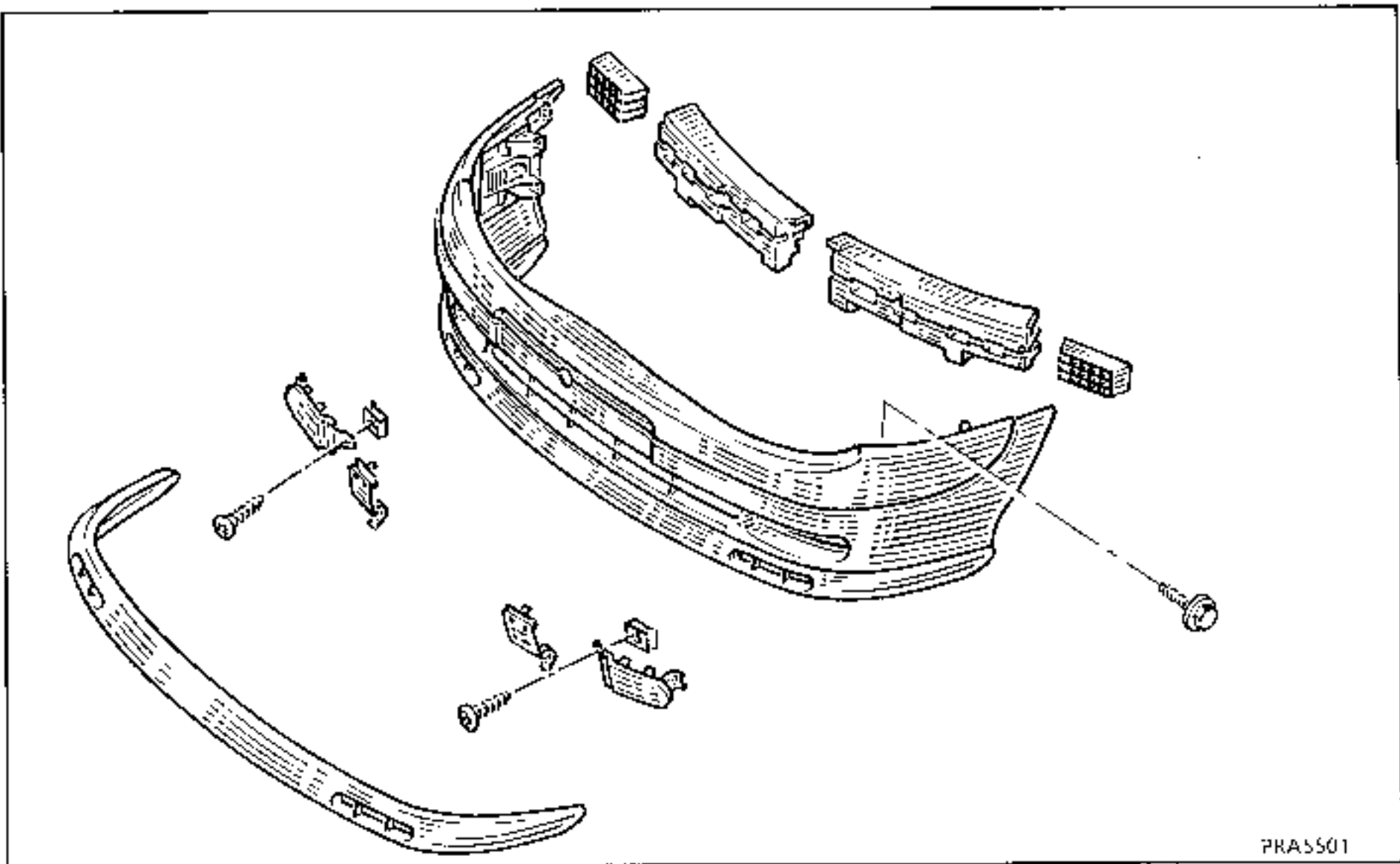
Fit the trim strip and close the door.

Starting from the top, align it with the top of body and gradually peel back the adhesive protective film, taking care to ensure a clearance of 5 mm all the way down with respect to the door frame - see diagram below.

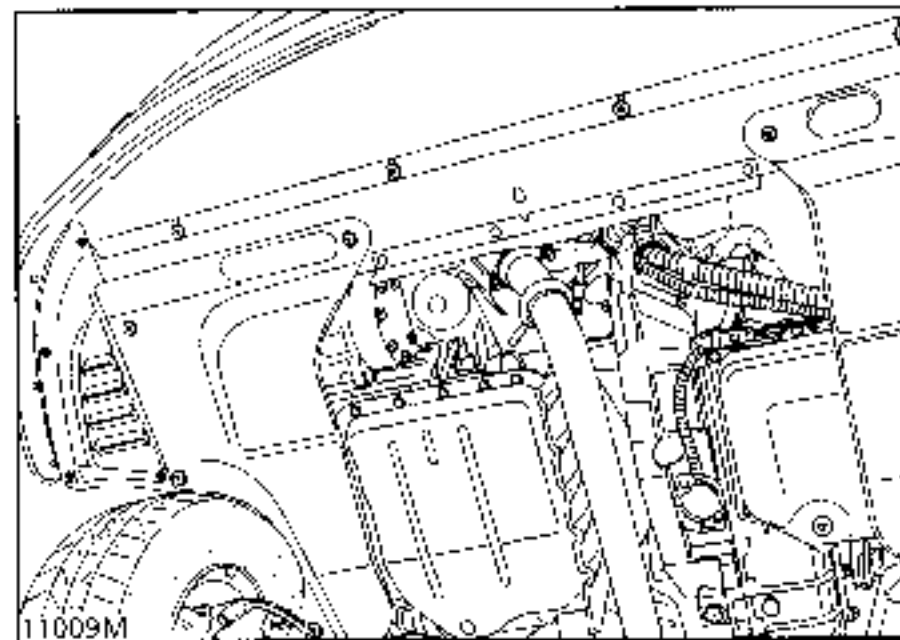
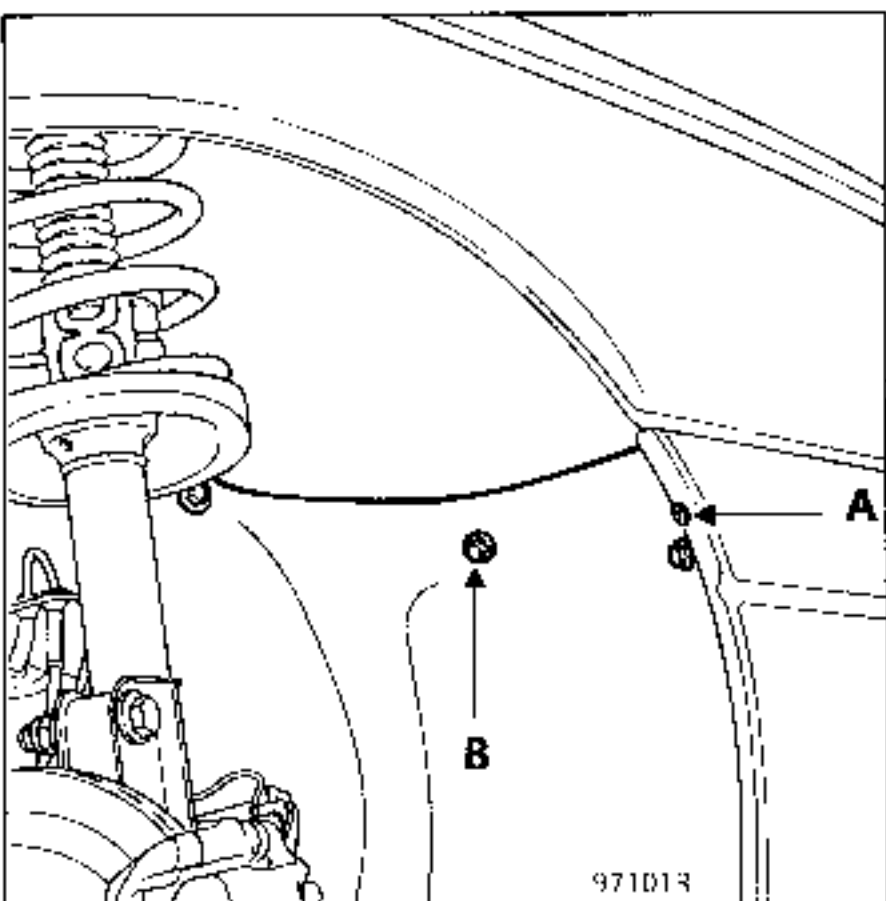


#### **IMPORTANT:**

Do not open the window until 24 hours later  
(risk of coming loose).



REMOVAL

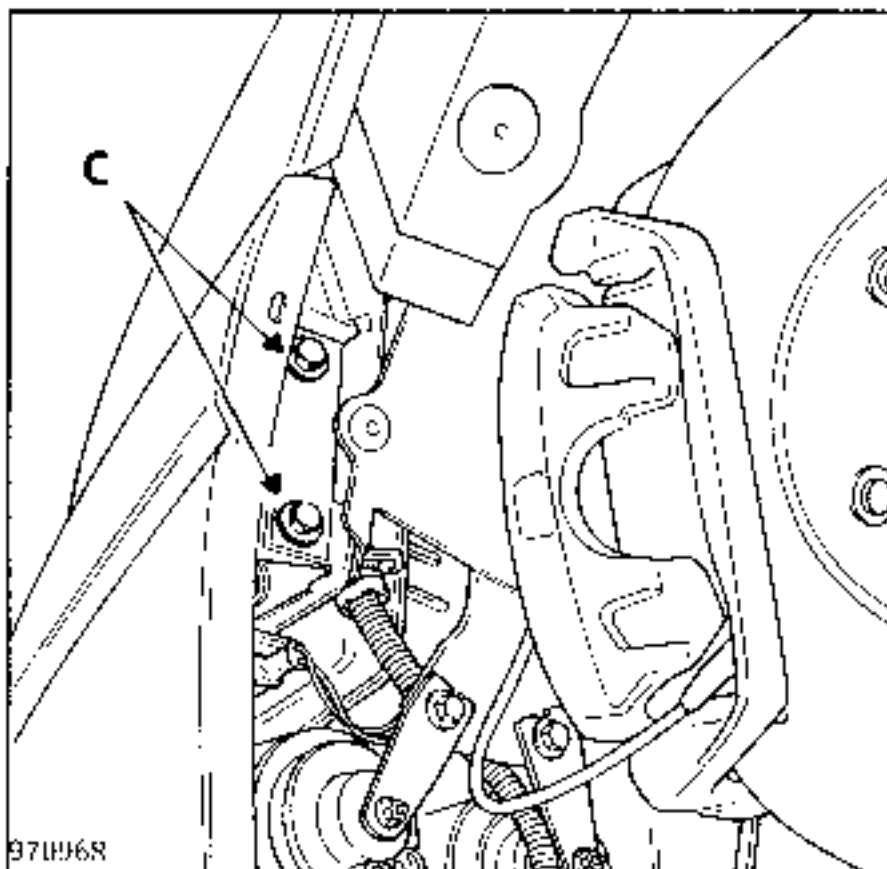


- the closure panel mountings under the body.

Remove:

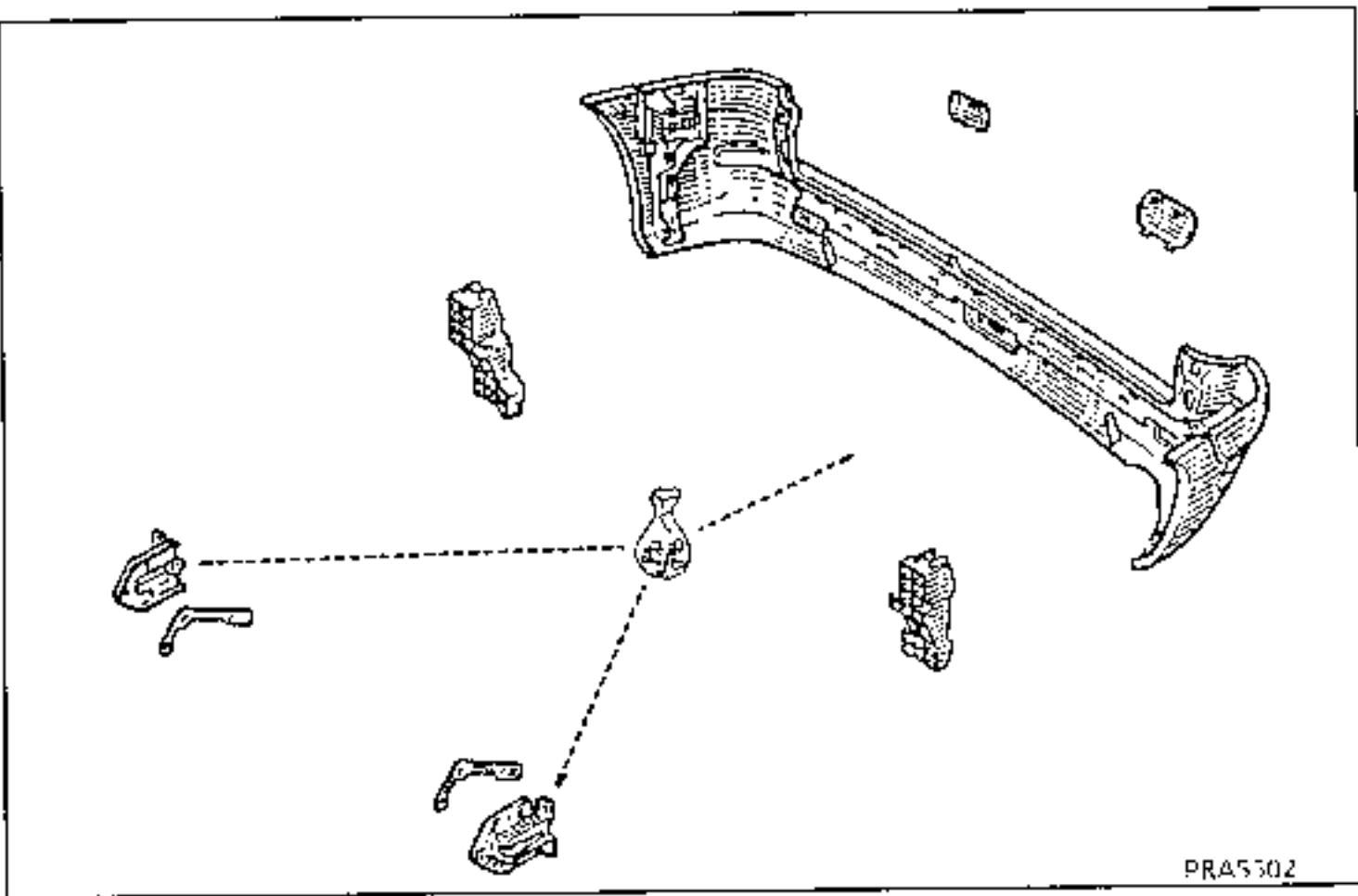
- the side mounting bolts (A),
- the wheel arch plastic mountings (B),
- the rivet.

REMOVAL



Separate the wheel arch plastic mountings to reach the side mounting bolts (C).

Disconnect the fog light connector.



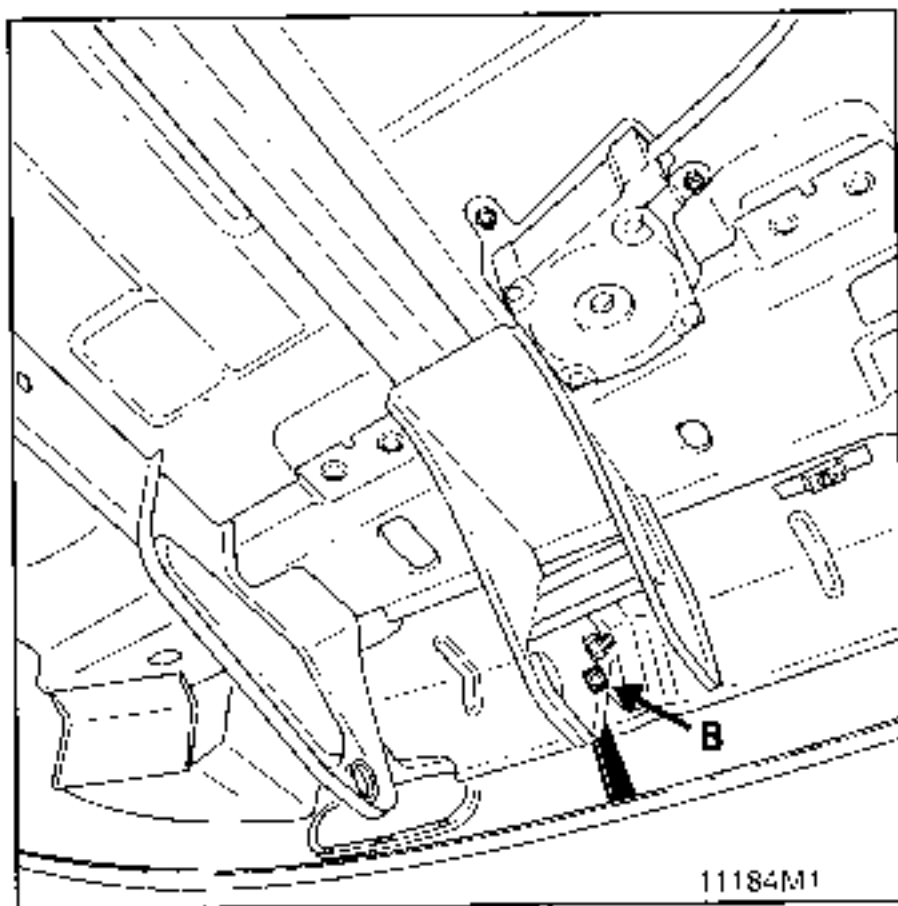
**REMOVAL**

Remove the rear wheels.

Drill the mounting rivets for the wheel arch plastic fittings.

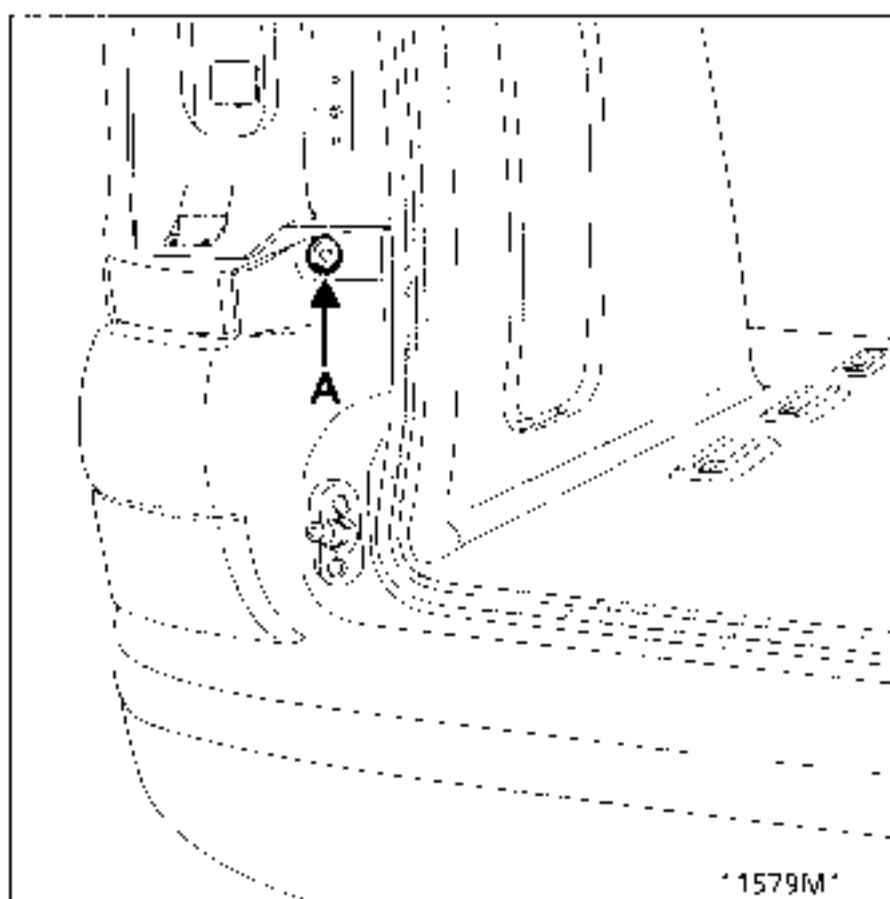
Remove:

- the mudguards,



- the 2 mounting bolts on the securing device (B).

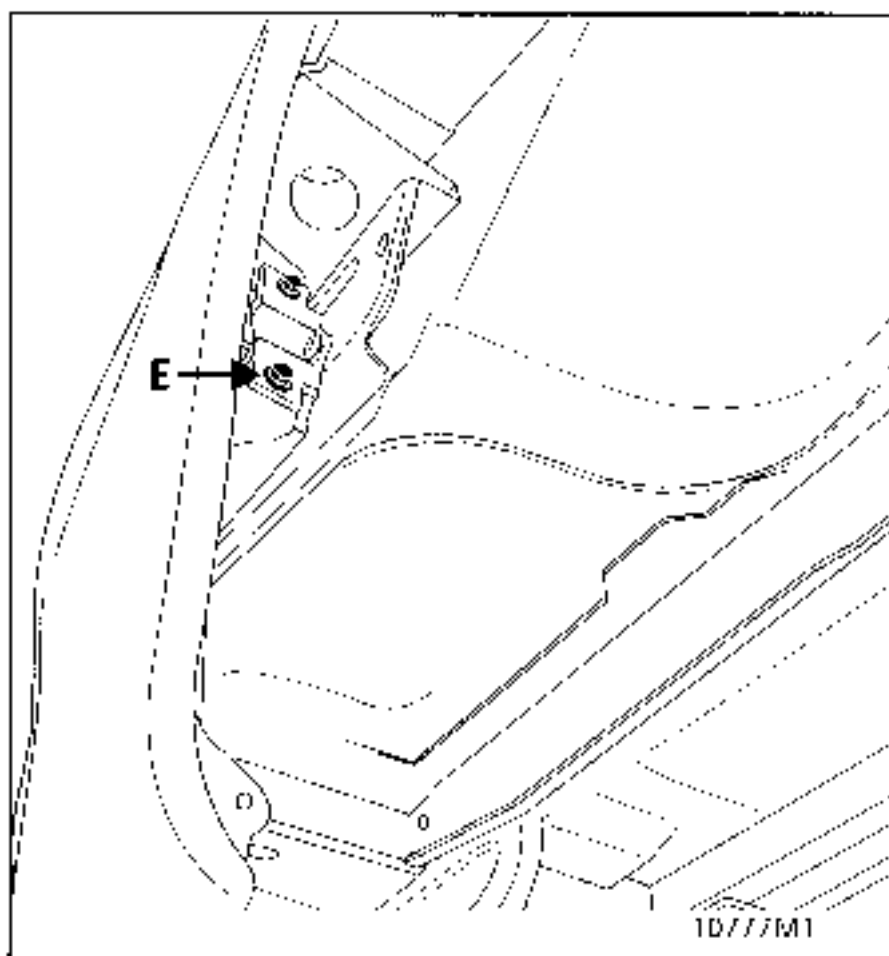




Remove the clips on the bumper cross member.

Remove:

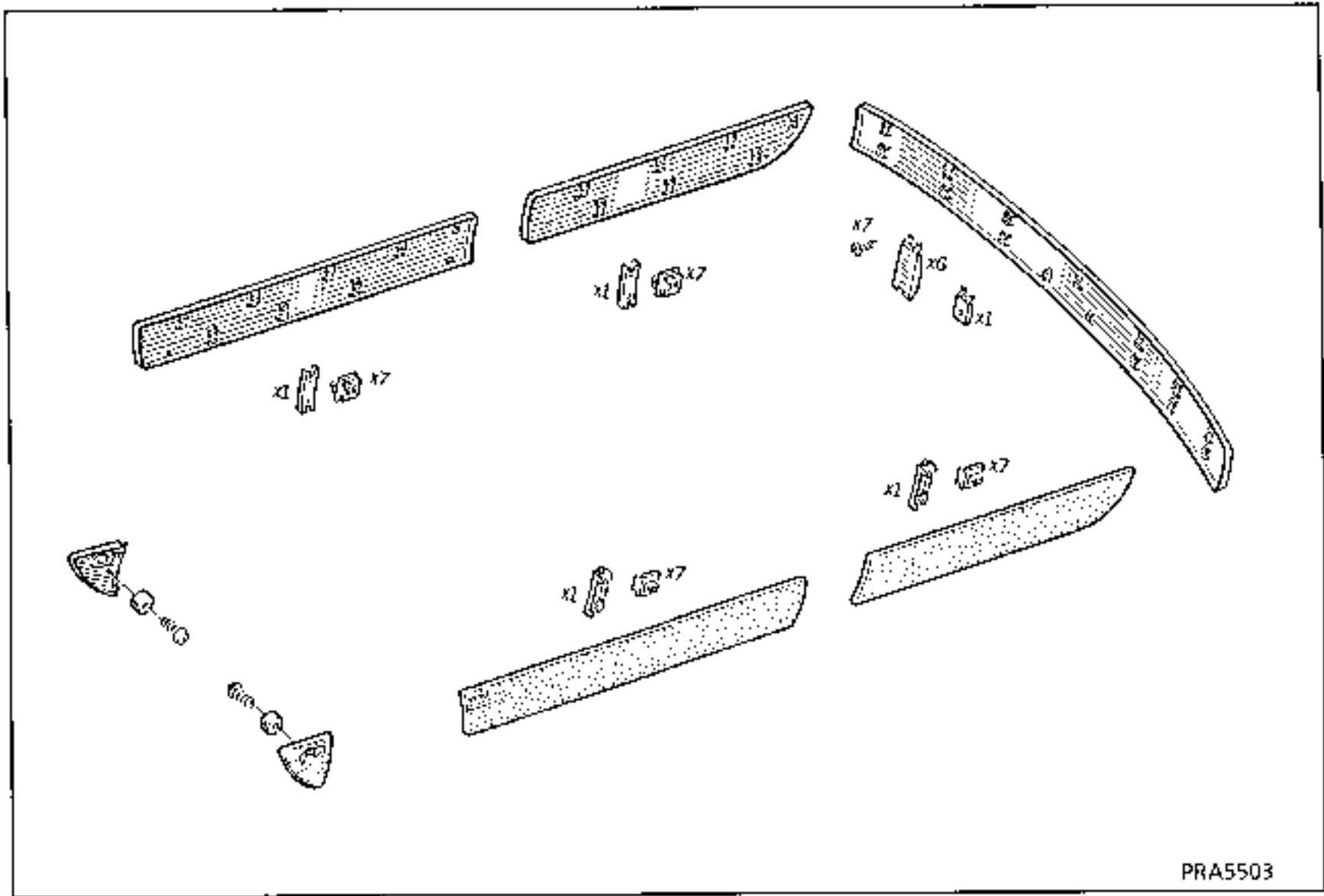
- the rear lights,
- the bumper retaining clips,
- the striker plate protective gaiters,



- the side mounting bolts (E).

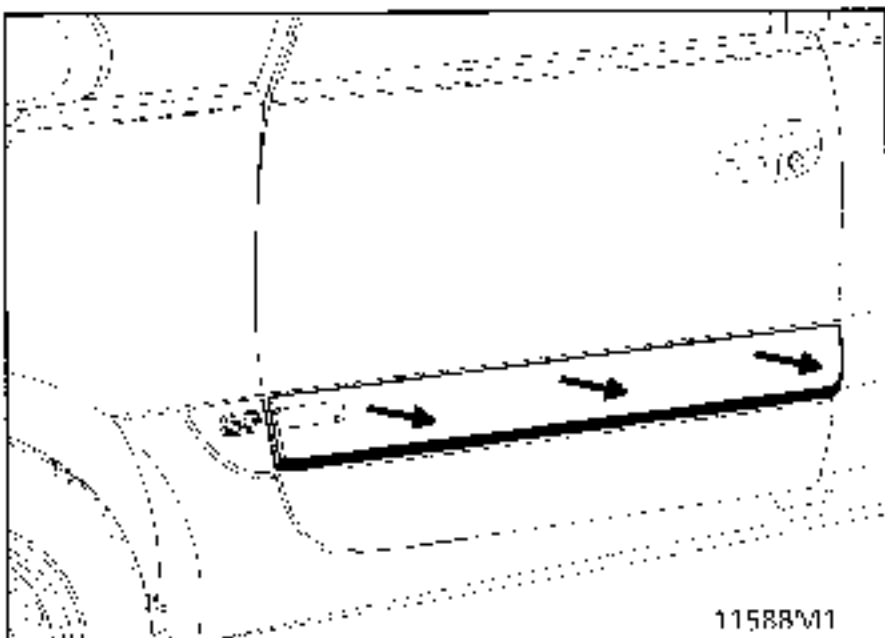
### REFITTING

Refitting is the reverse of removal.

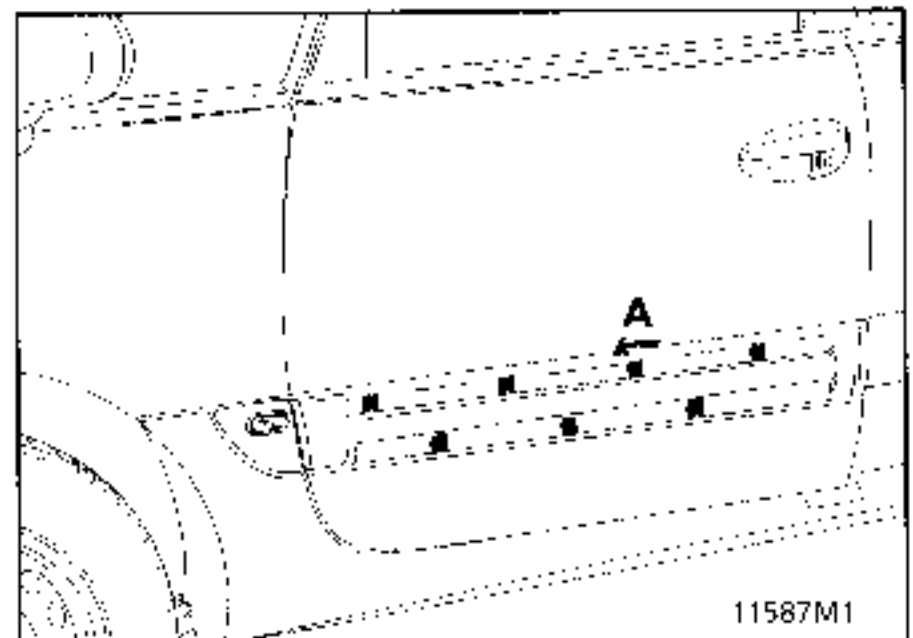


The strips are clipped from the outside and mounted with double sided adhesive tape at both ends.

### REMOVING THE DOOR STRIPS

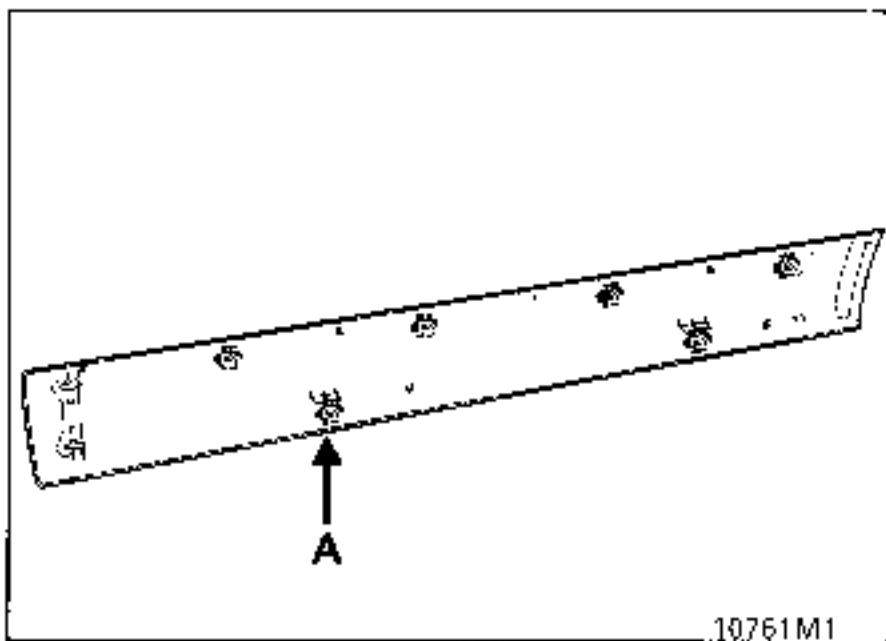


Release the double sided adhesive tape then slide the strip backwards, lifting it slightly to release the 7 retaining clips.



Remove the 7 clips (A) turning them through a quarter turn.

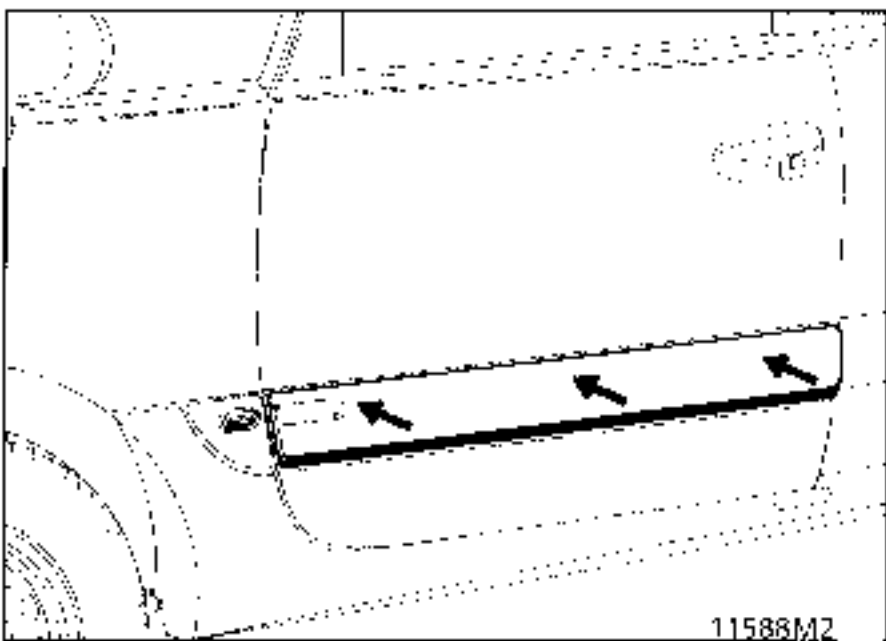
### FITTING THE DOOR STRIPS



Refit the clips (A), ensuring they are correctly positioned on their mountings on the strip.

Replace the double sided adhesive, degrease the surfaces to be bonded.

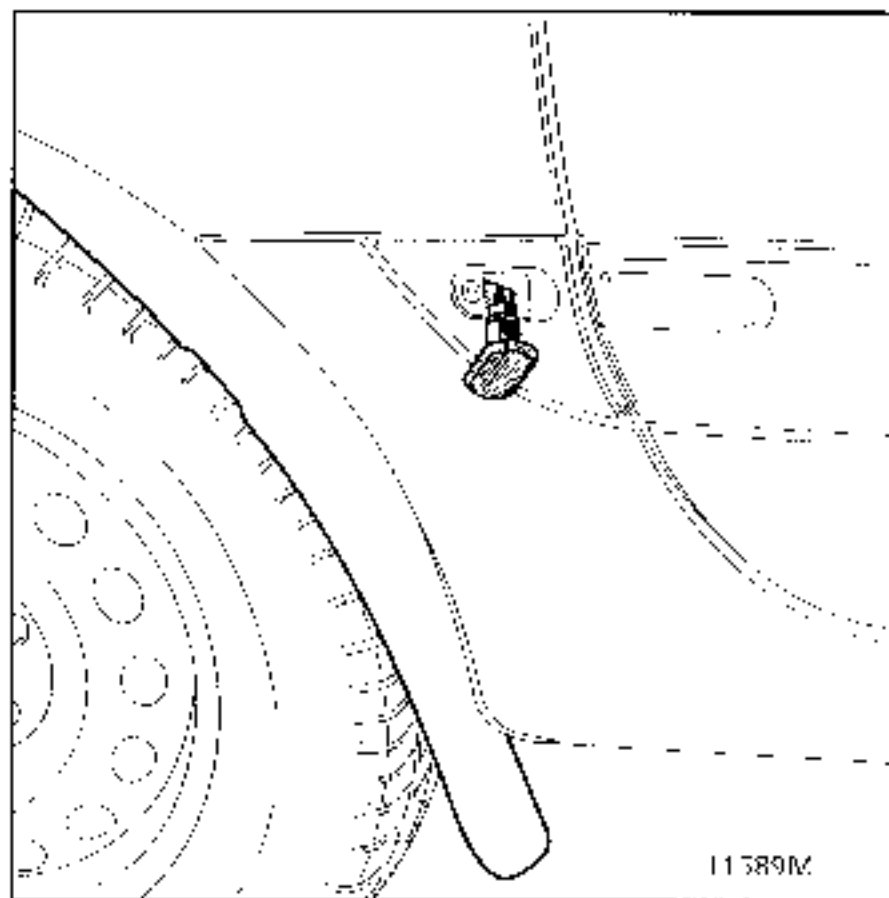
Any broken clips (A) must be renewed.



Offer up the strip.

Clip the 7 clips to the door.

### REMOVING THE REPEATER STRIP



Remove the front mudguard partially.

Unclip the repeater and disconnect it.

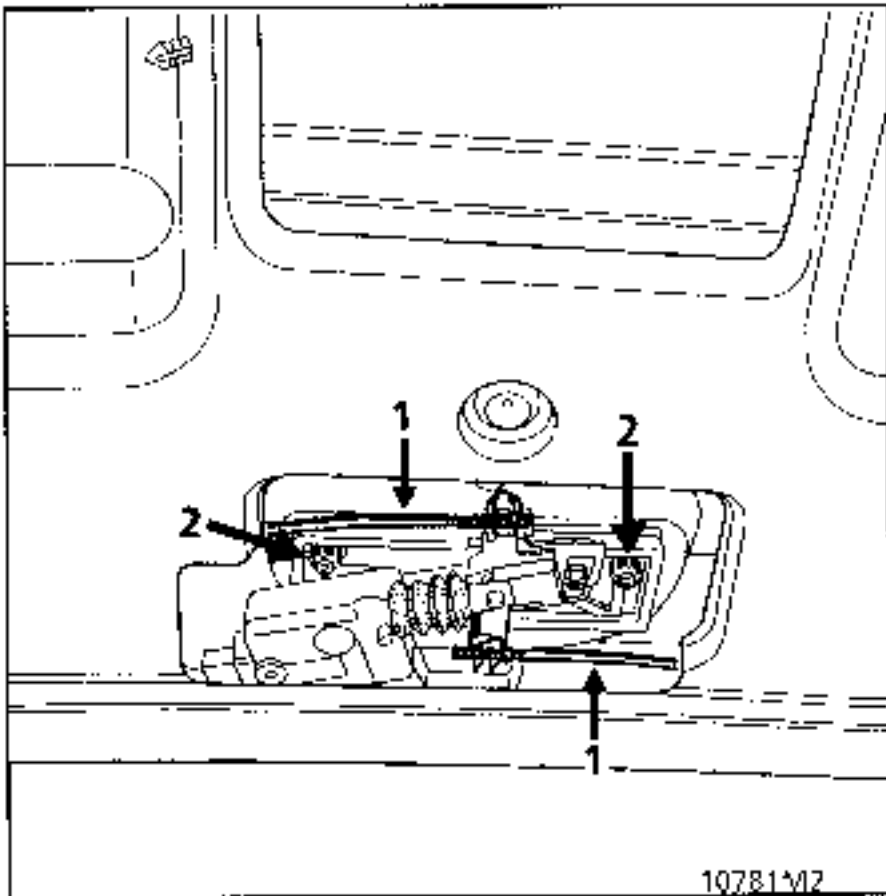
Remove the nuts behind the valance.

Remove the repeater strip.

### REFITTING

Refitting is the reverse of removal.

REMOVAL



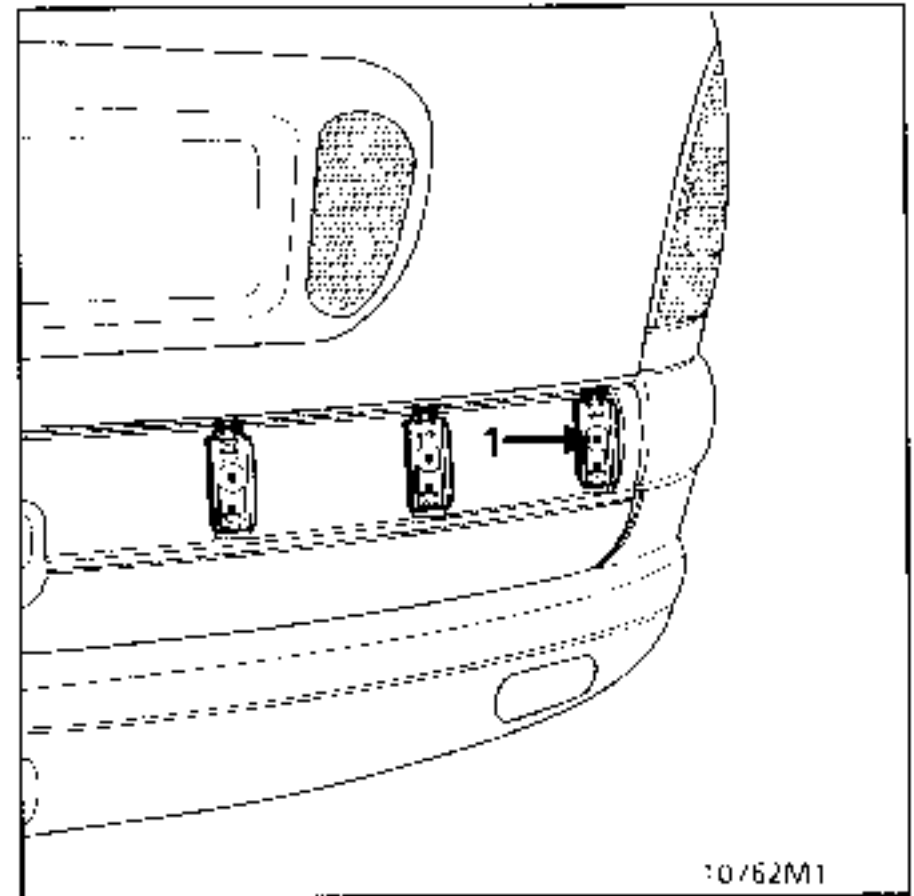
Remove:

- the tailgate lining,
- the vinyl.

Release:

- the linkages (1),
- the 2 mounting bolts (2) then remove the handle assembly,
- the strip from the outside.

REMOVING THE CLIPS



Remove the mounting bolts (1).

REFITTING

Refitting is the reverse of removal.

This part comprises a grille and a radiator grille bar.

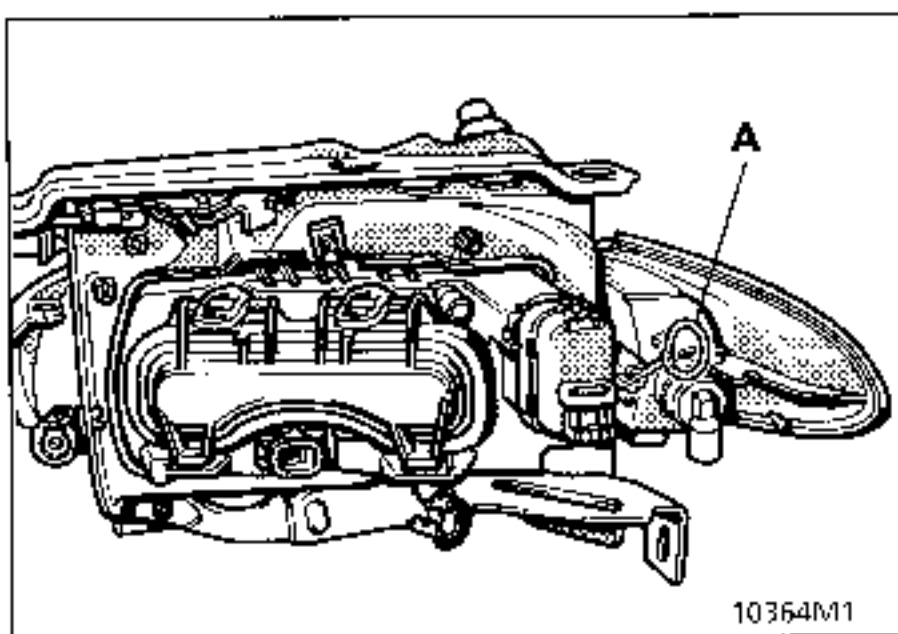
**REMOVAL - REFITTING**

Disconnect:

- the battery,
- the connector(s) on the headlight unit.

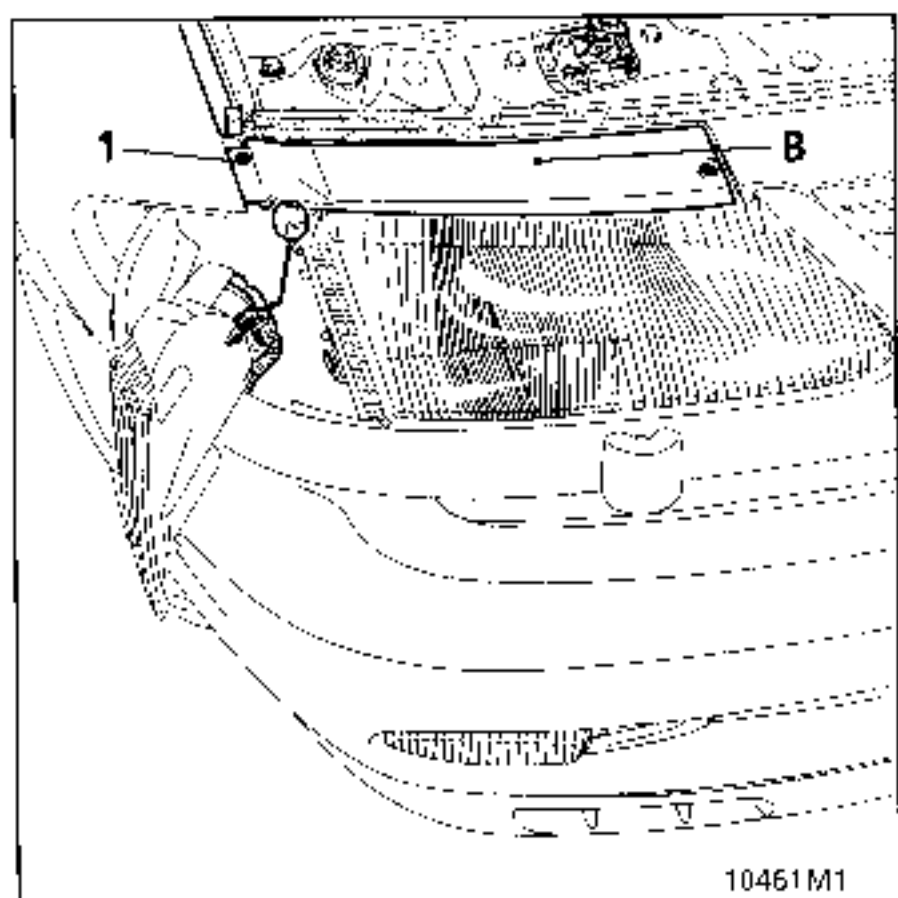
Remove the two indicator lights towards the outside of the vehicle.

To do this, for each of the lights, release the retaining spring (A) from its location.

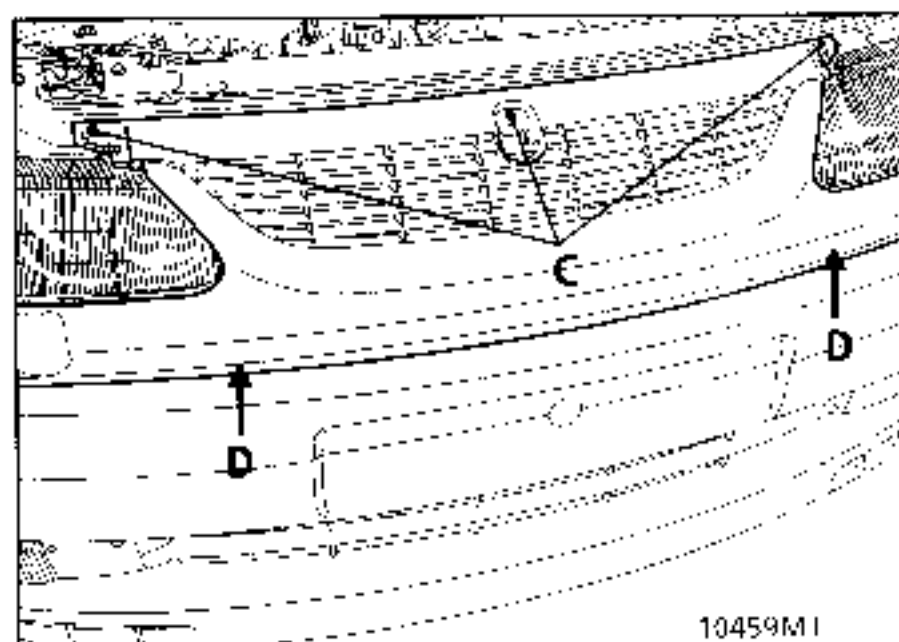


Remove:

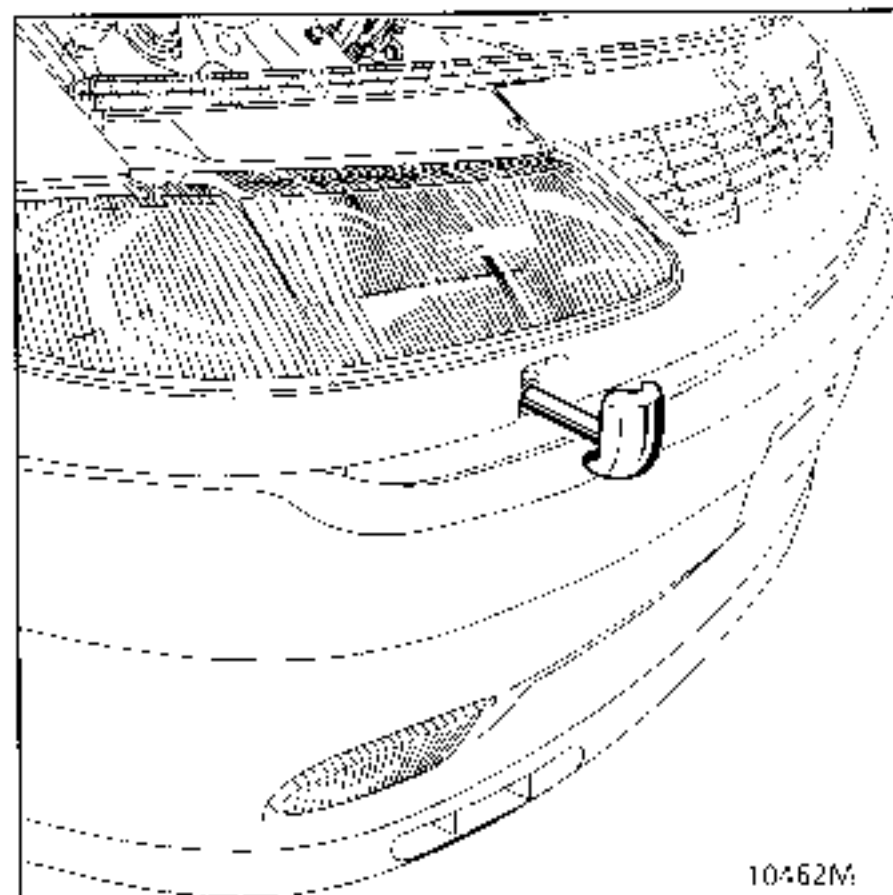
- the right and left hand extensions (B) for the radiator grille. To reach bolt (1) lift off the adhesive tape,



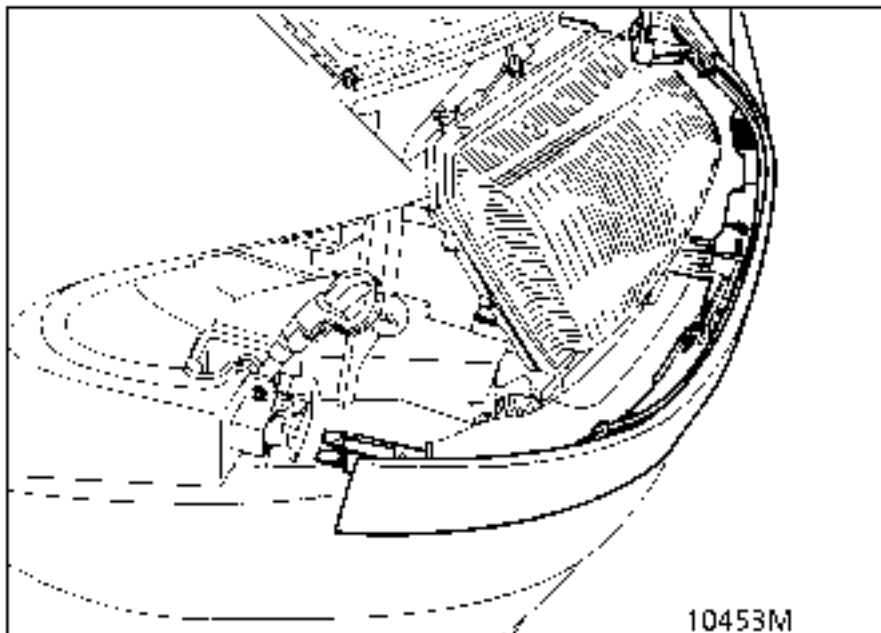
- the three upper bolts (C) and the two lower bolts, reached via openings (D) using a Torx screwdriver : These two bolts remain attached to the radiator grille on removal.



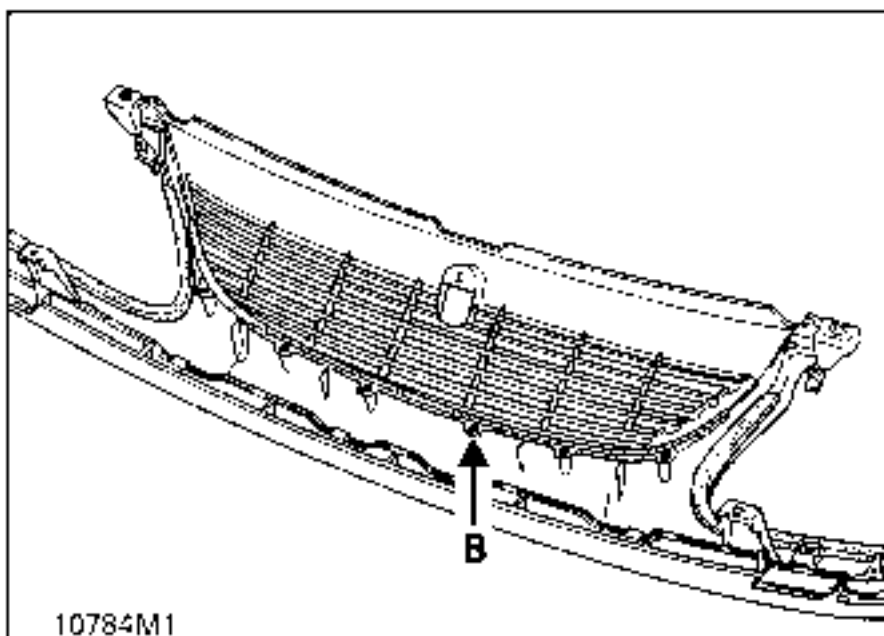
If the vehicle is fitted with headlight washers, unclip the trim, pull the jet and turn it a quarter turn to the left to release it from the cylinder.

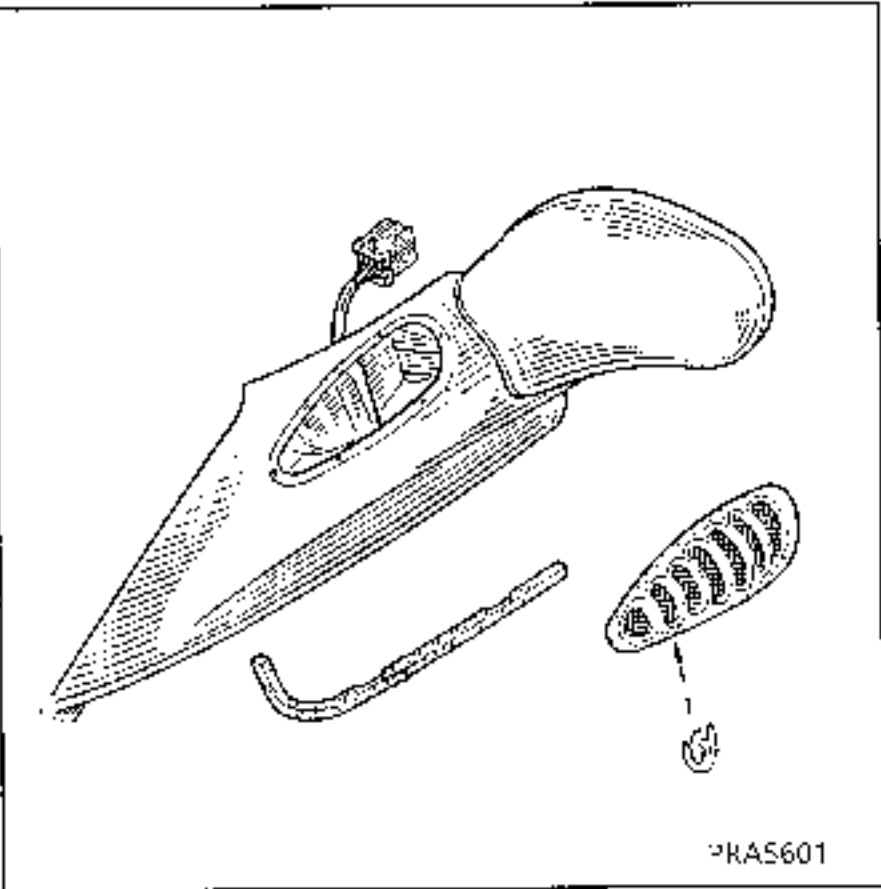


Unclip the radiator grille at the two ends and remove it.

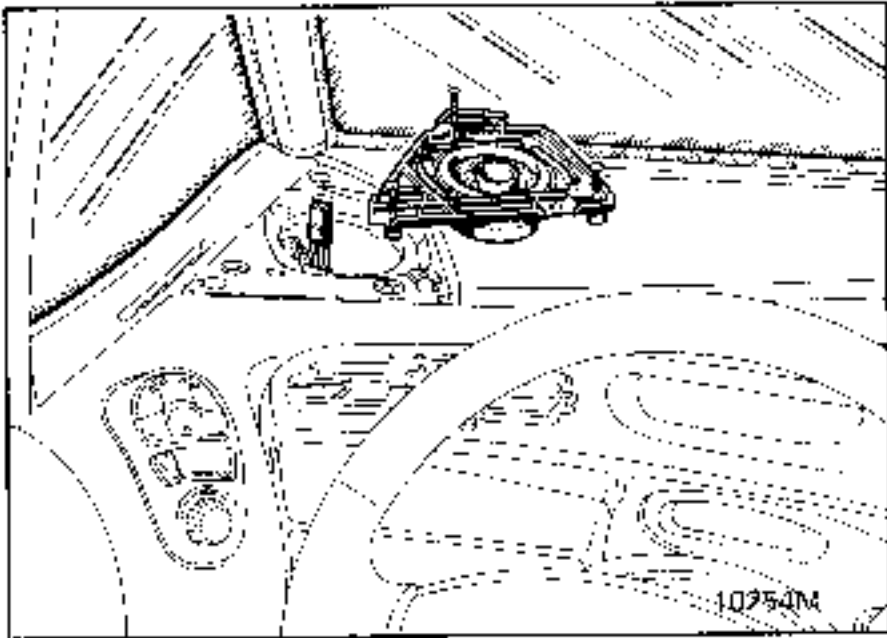


**Special notes:** the grille is in 2 sections; to separate them remove bolts (B).





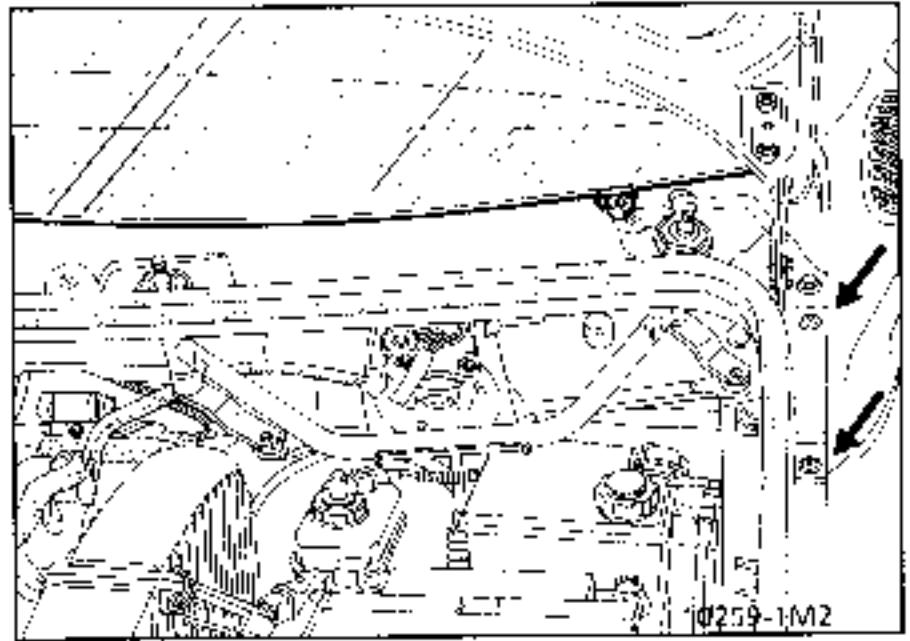
**REMOVAL**



Unclip the speaker grilles.

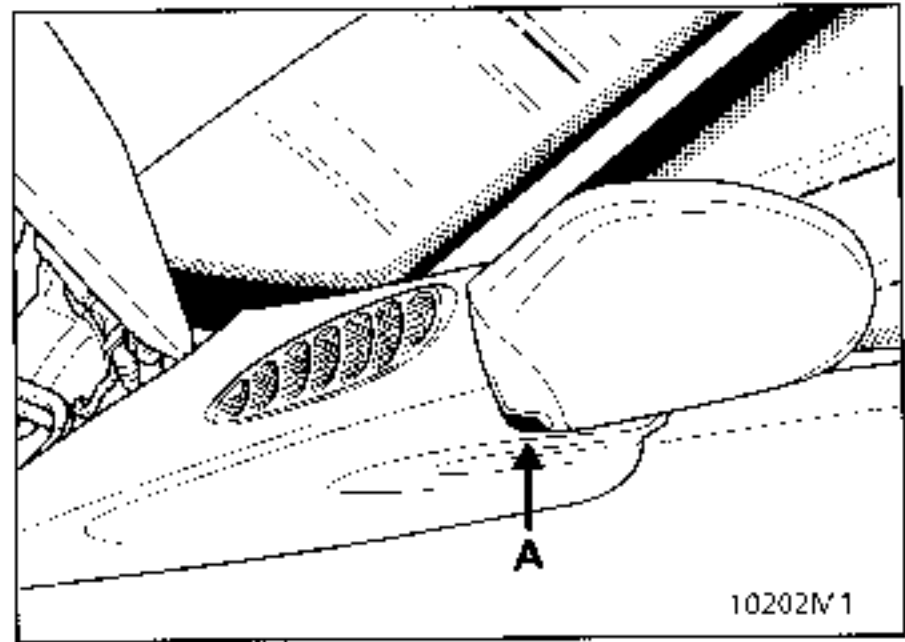
Remove the speaker mountings (if fitted).

Disconnect the connectors for the rear view mirrors.



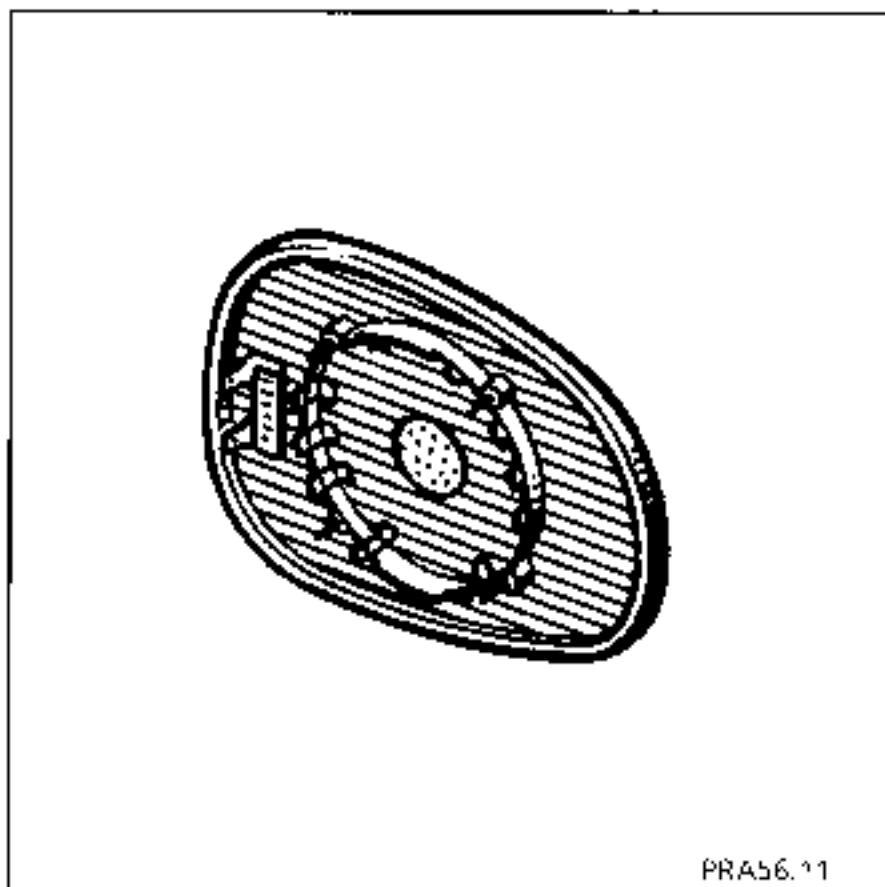
Open the bonnet.

Slacken the two Torx bolts.

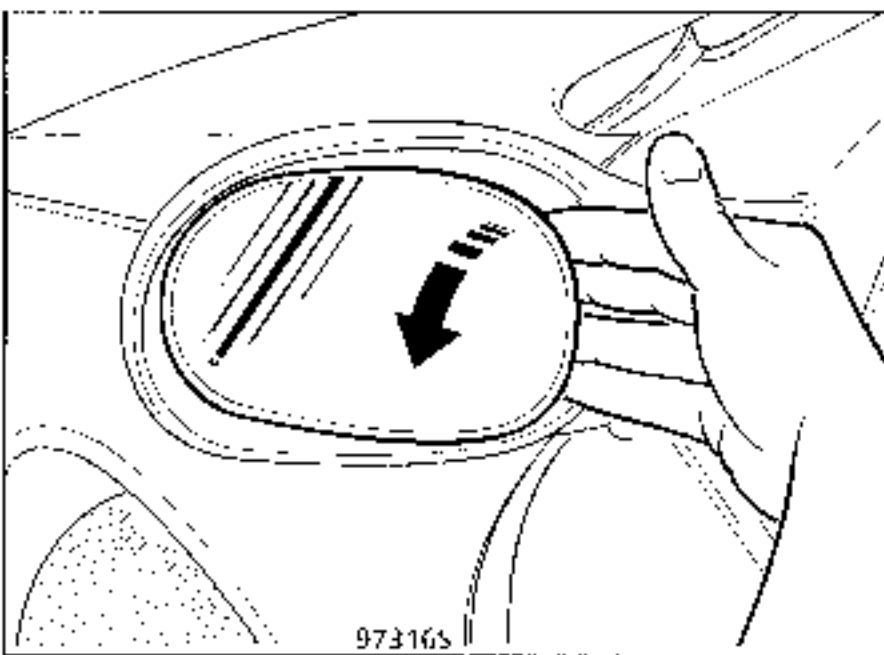


Fold the mirror back.

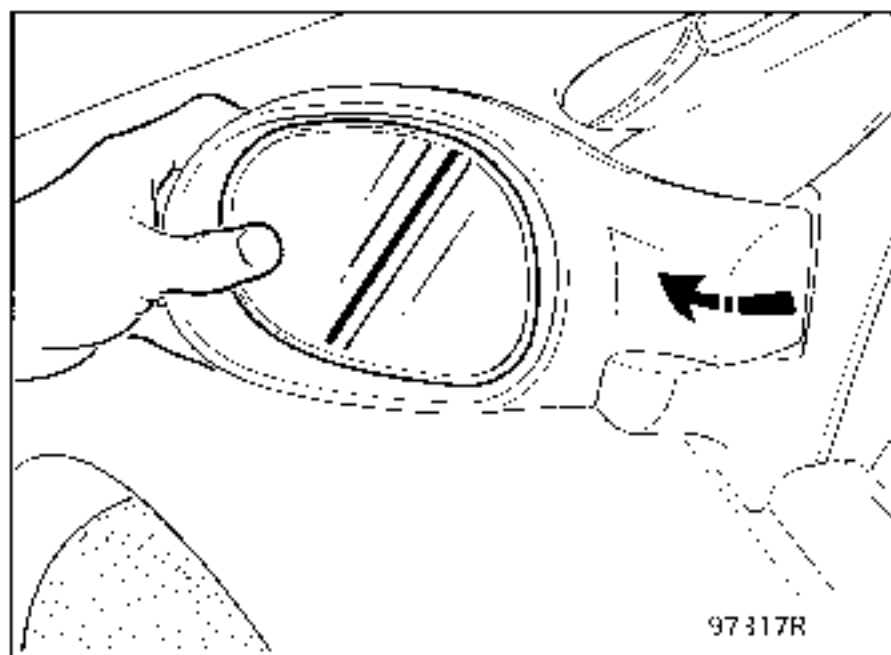
Slacken the hexagonal bolt (A).



REMOVAL



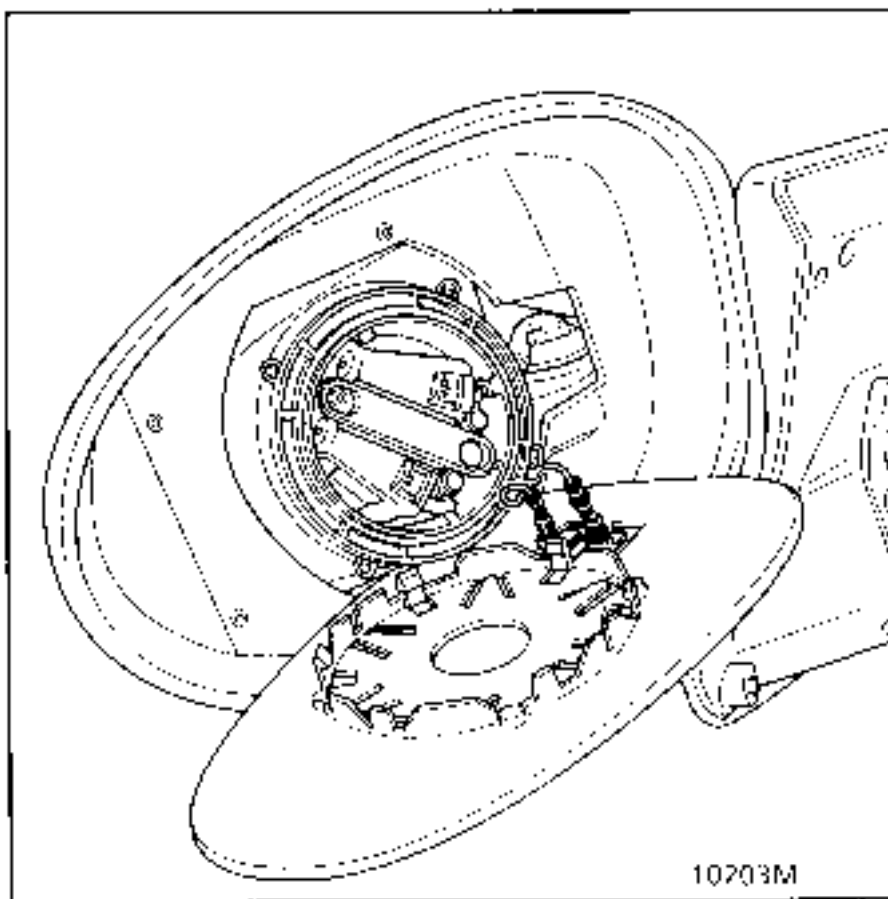
Tilt the rear view mirror towards the inside.  
Press on the glass as shown above (outer side) so that you can insert your fingers under the glass (inner side).



Move the glass with care as shown above, to unclip it without breaking it.

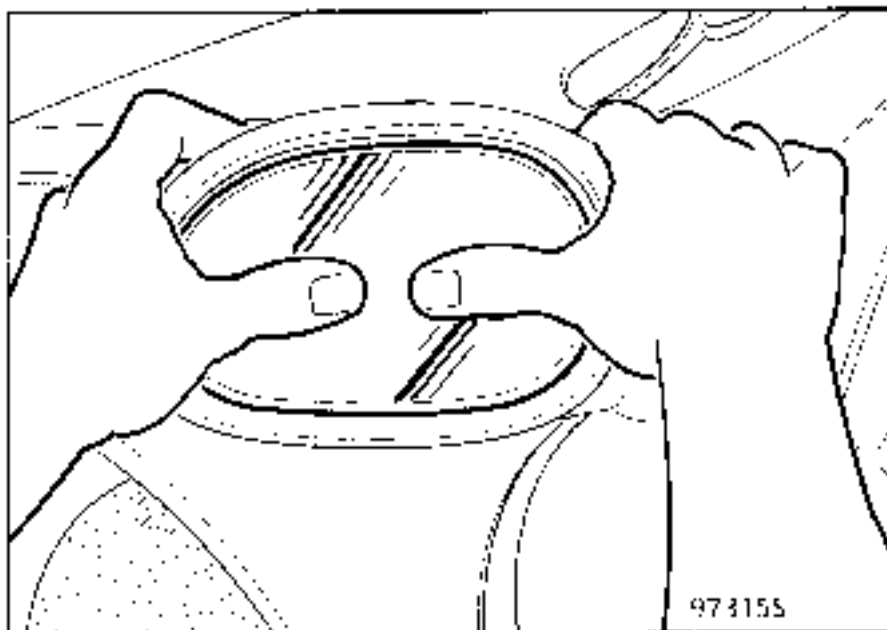
**NOTE:** On the left hand side and on the right hand side, the glass is always unclipped on the side away from the body.



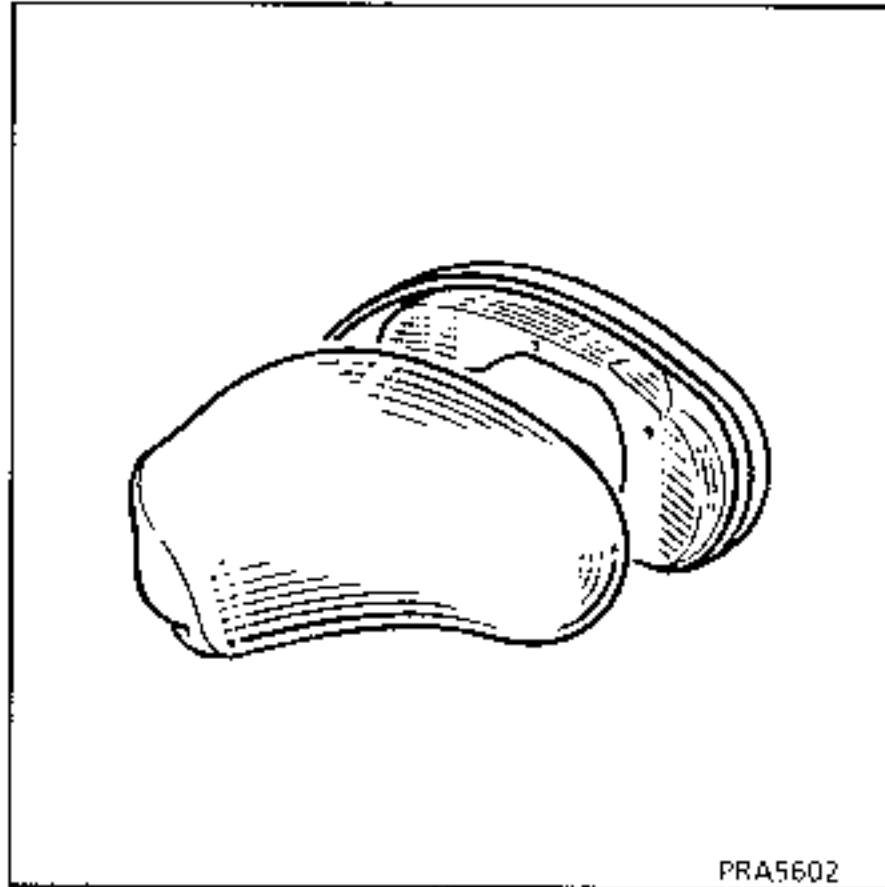


For electric rear view mirrors, disconnect the heating wiring.

**FITTING**



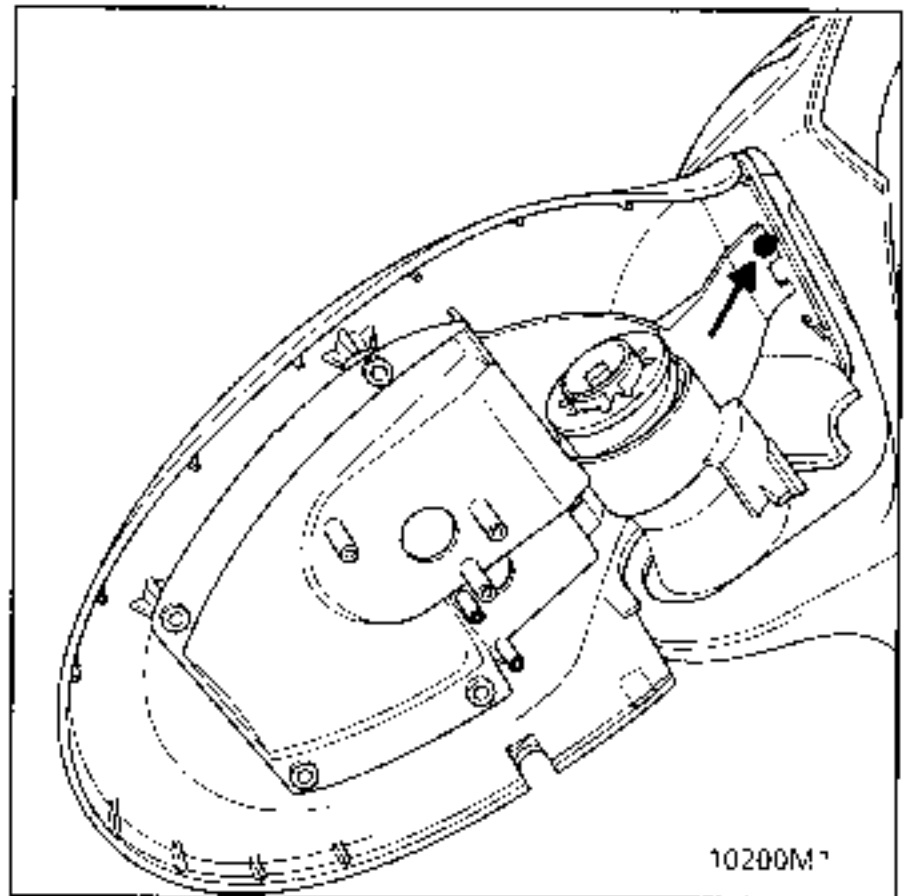
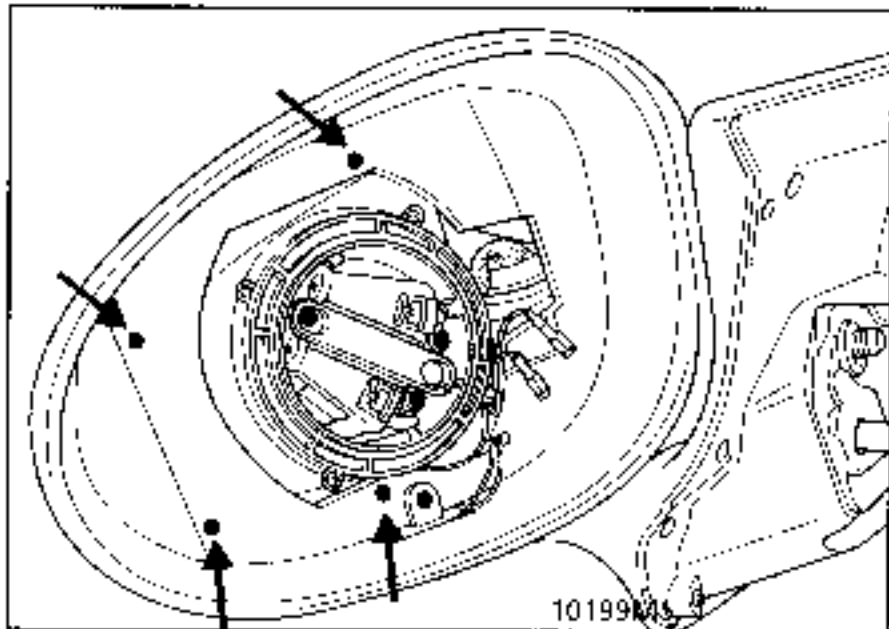
Position the glass and press it to clip it into place.



**REMOVING THE MOVING CASING**

**REMOVING THE GLASS**

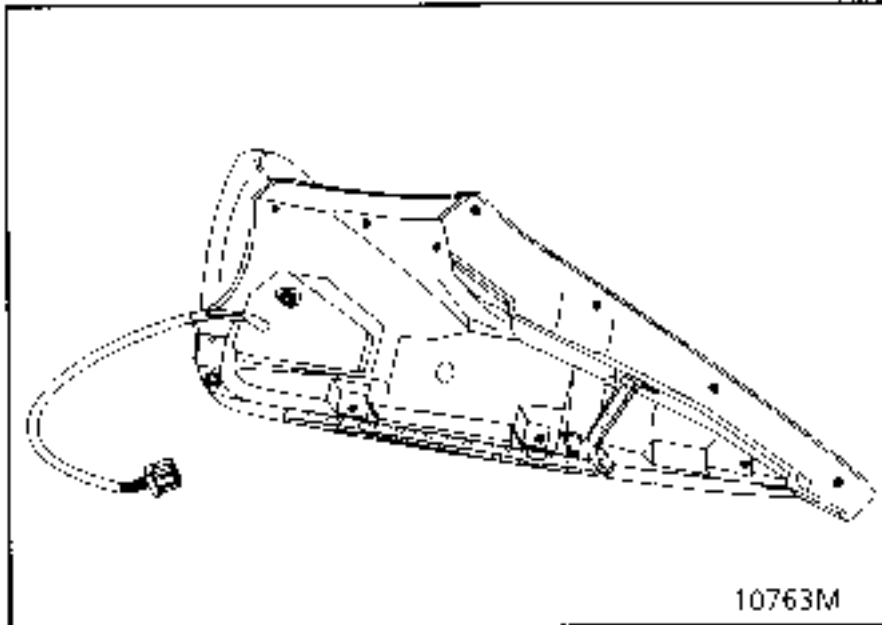
- Remove:
- the 4 mounting bolts on the front side of the casing,



- the mounting bolt at the rear of the housing.

### REMOVING THE FIXED CASING

Remove the 9 mounting bolts for the fixed casing.



### REMOVING THE ELECTRIC REAR VIEW MIRROR TRIM

### REMOVING THE MECHANISM

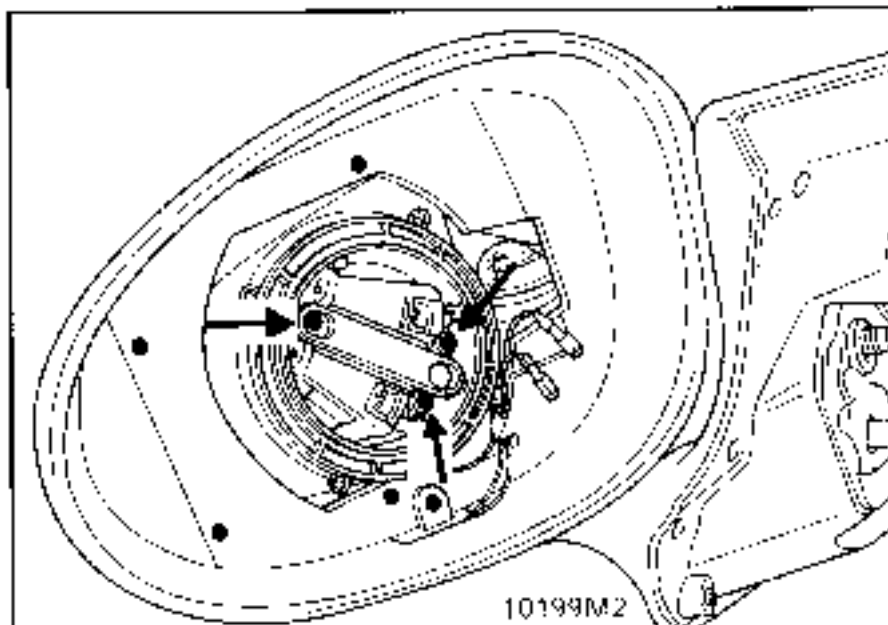
Remove:

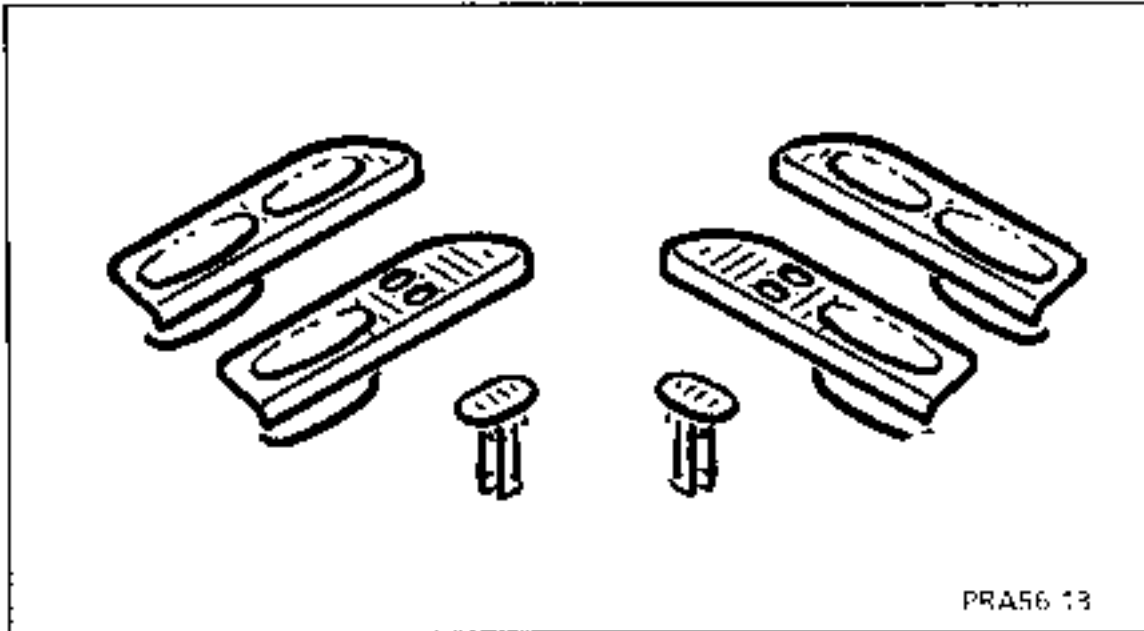
- the rear view mirror from the vehicle,
- the mirror.

Slacken the 3 mounting bolts.

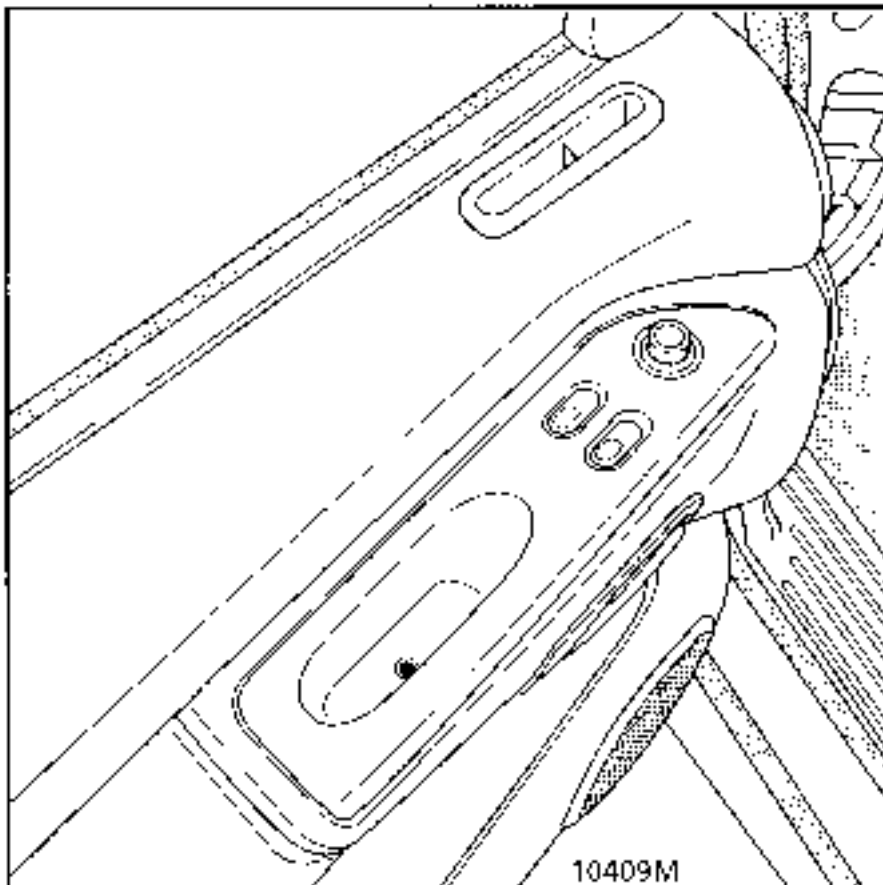
Disconnect the connector.

Remove the mechanism.



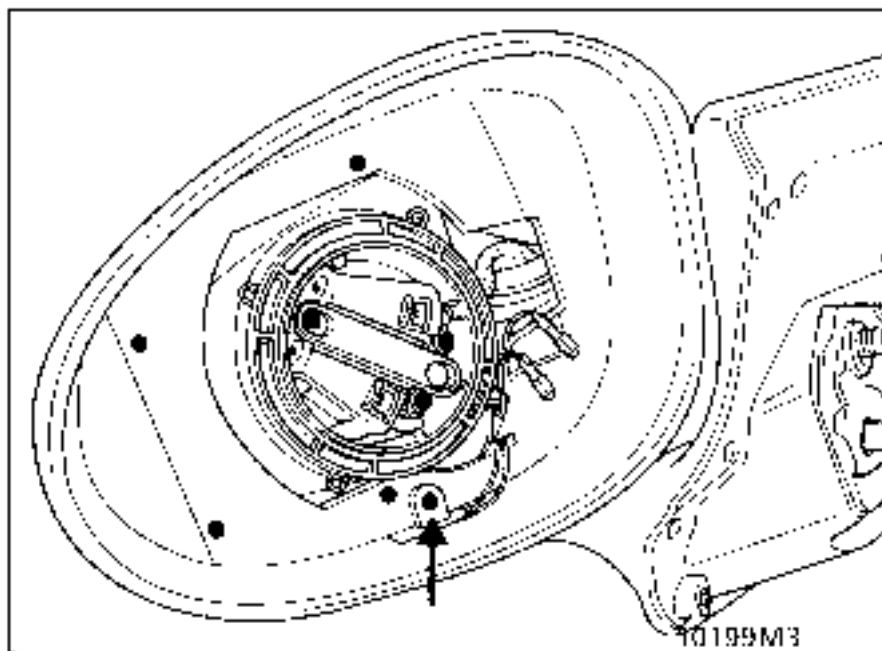
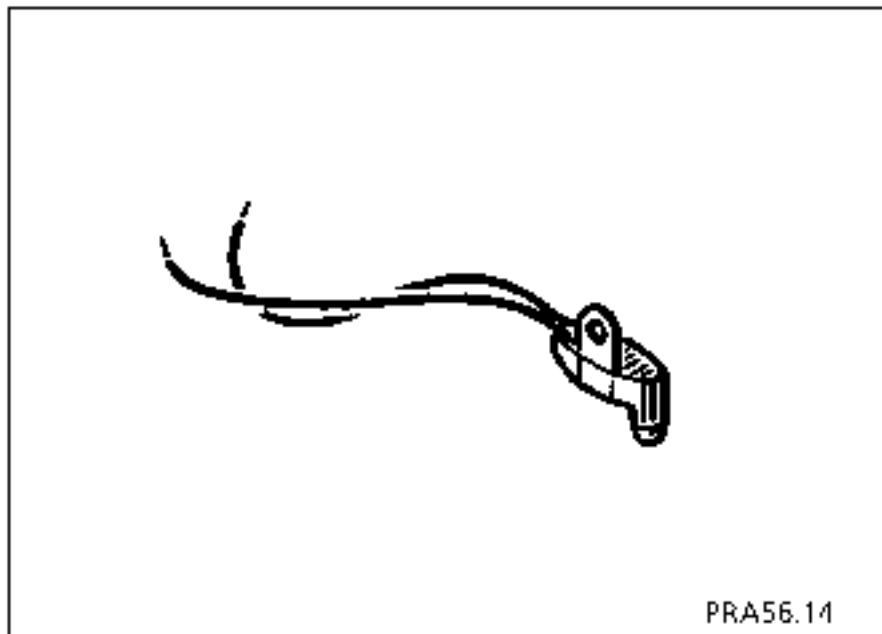


**REMOVAL**



Remove the door control unit (one Torx bolt 20).

Disconnect the wiring.



## REPLACEMENT

Unclip the rear view mirror glass.

Remove the sensor (Torx bolt 20).

Cut the feed wires to the sensor after noting their positions.

Replace the sensor and connect the wires using heat shrink sleeving.

### FITTING THE ROOFRACK

Factory option type - maximum load 80 kg.

#### FITTING

Remove the original bolts obstructing the mounting points.

Fit the longitudinal rails to the roof using the original bolts after coating the threads with sealing mastic to ensure a good seal.

Slide the transverse bars and feet into the rails.

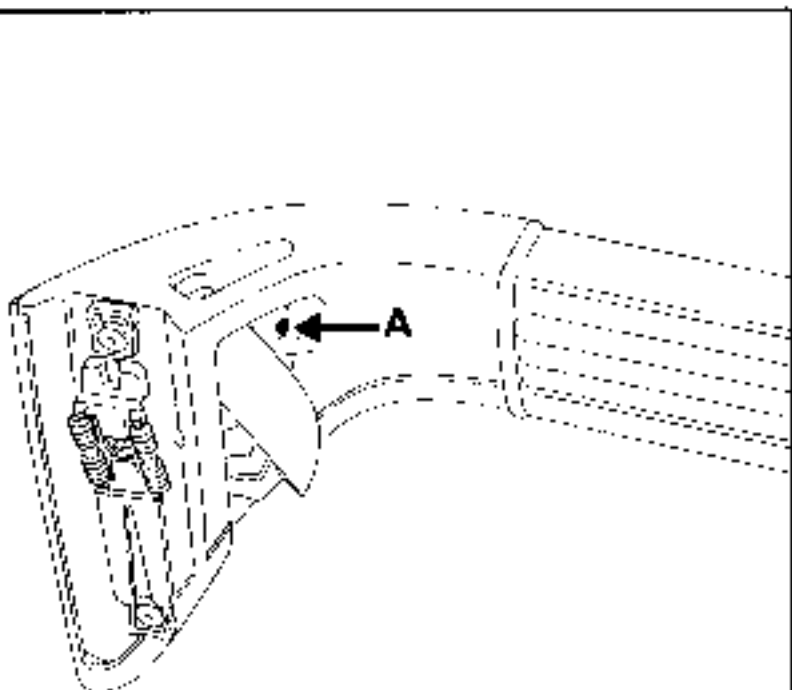
Fit the end pieces and screw them to each end of the rails.

Position the bars and the securing points according to the volume of luggage to be carried.

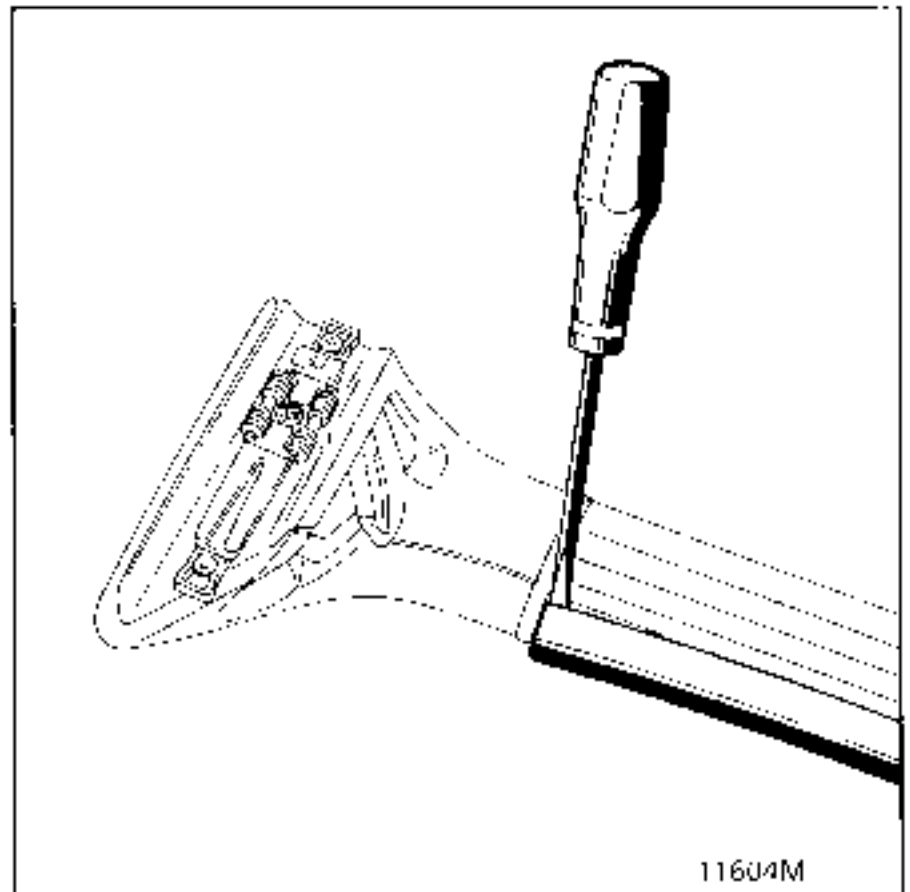
### REMOVING THE ROOFRACK TRIM

Remove:  
- bolt (A) and slide towards the rear,

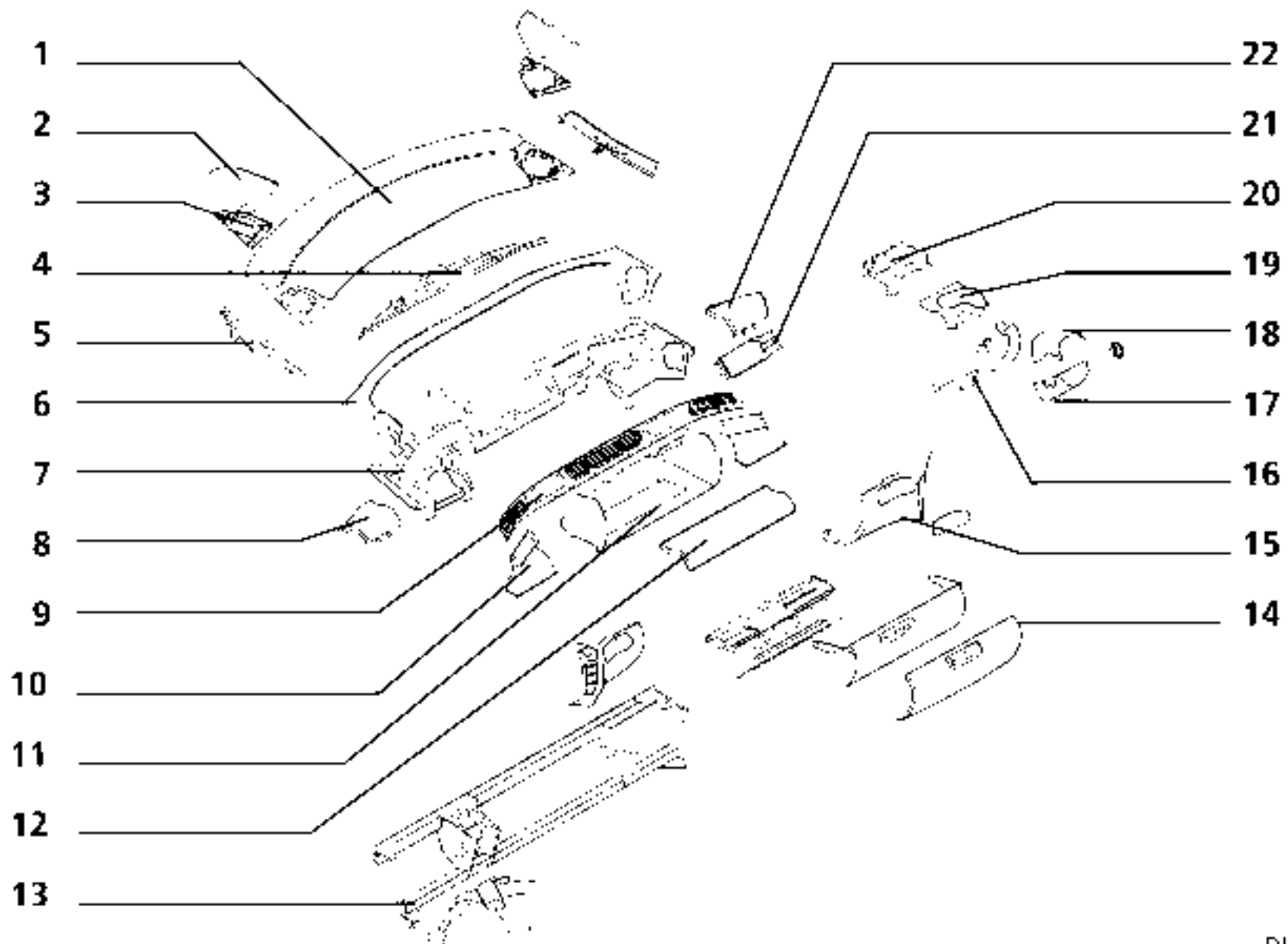
- the strip as shown in the diagram (flat screwdriver).



11603M1



11604M



DI5701

**PLASTIC PARTS**

- 1 Dashboard front panel
- 2 Speaker grilles
- 3 Speaker mountings
- 4 Display unit
- 5 Deflector demisting vents

**Dashboard strip assembly**

- 6 Cloth strip
- 7 Dashboard strip
- 8 Driver's cover
- 9 Vents
- 10 Side vent ducts
- 19 AT repeater surround or steering wheel strip
- 20 Steering surround
- 22 Passenger airbag cover

**Centre storage tray assembly :**

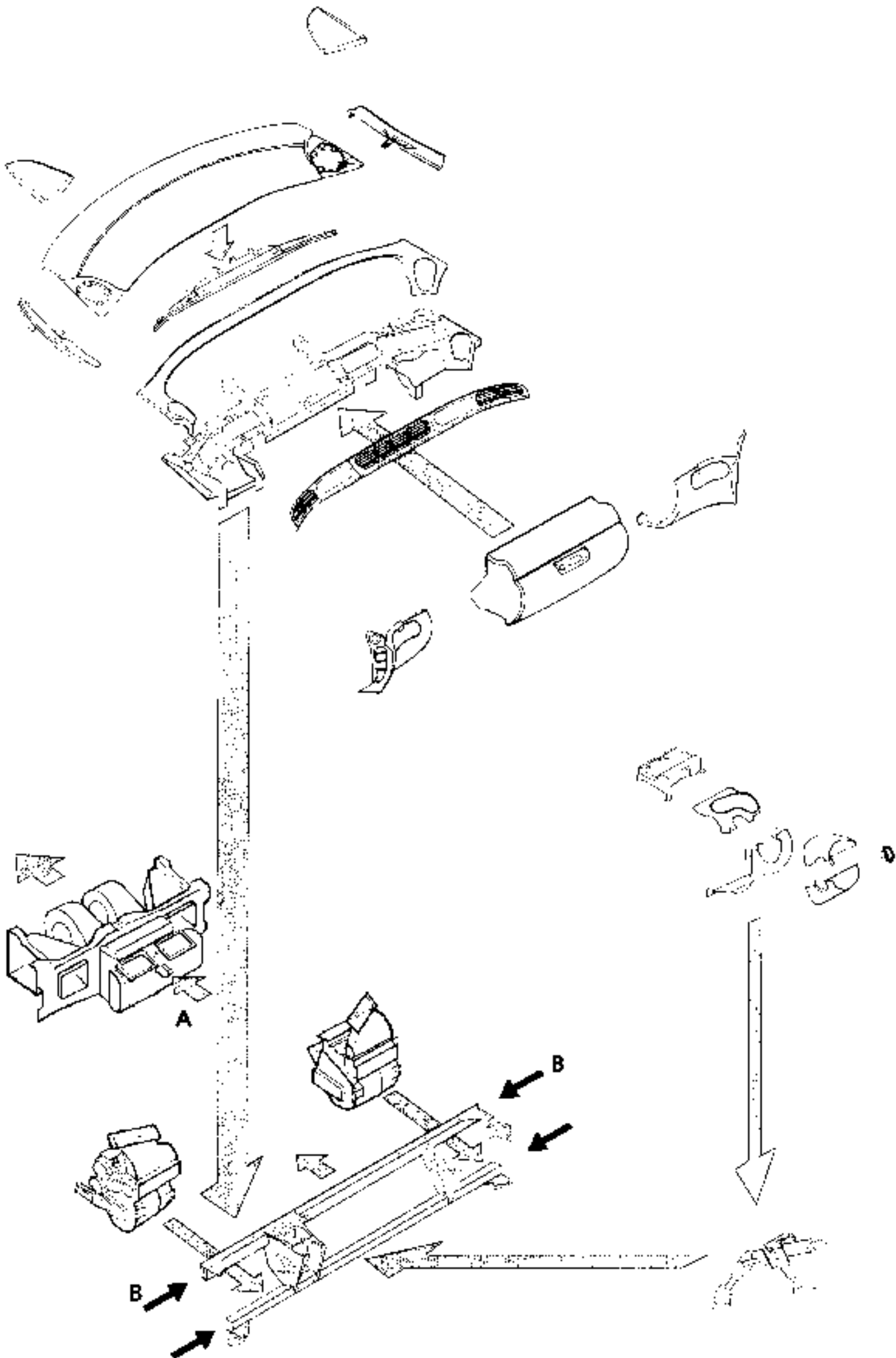
- 11 Centre storage tray
- 12 Upper cover
- 14 Front folding cover

**Lower part of dashboard:**

- 15 Lower right hand console  
Lower left hand console
- 16 Console under steering column
- 17 Lower half cowling under steering wheel
- 18 Upper half cowling under steering wheel

**METAL PARTS**

- 13 Cross member assembly  
Lower side brackets  
Upper side bracket  
Steering column  
Column plate  
Automatic transmission control  
Ladder wiring
- 21 Passenger airbag  
Neiman Transponder  
Airbag rotary switch





TIGHTENING TORQUES (in daN.m)



Steering column mounting nut	1.5
Steering universal joint bolt	2.3
New steering wheel hub bolt - VITAL	4.5
Wheel bolt	10
Front seat belt mounting bolt	2.5
Passenger airbag mounting bolt	2.4
Passenger airbag strap nut	0.7

TIGHTENING TORQUES (in daN.m)

M8 ladder bracket bolt	2.4
M10 ladder bracket nut and bolt	4.7

SPECIAL TOOLING REQUIRED

Car.1393	Dashboard "Téléphérique"
----------	--------------------------

FITTING DIRECTIONS:

**1. The chassis bulkhead is first fitted with:**

- The fan and air recycling unit,
- The evaporator,
- The soundproofing,
- The passenger compartment connection unit (Fuse and relay unit).

**2. From outside the vehicle, the cross member is fitted with:**

- The left and right hand heater matrix assemblies,
- The steering column, steering wheel and trim cowlings,
- The dashboard wiring,
- The dashboard strip,
- The automatic transmission control.

**3.4. The dashboard strip:**

- The central display for vehicle and radio information,
- The side and centre vents,
- The cloth strip.

**5. The lower section :**

- The centre storage tray, the lower channel,
- The side consoles and their switch mountings.

**6. The steering column:**

- The steering wheel, airbag and rotary switch,
- The adjusting system, sealing gaiter and universal joint.

**7. The cross member assembly,**

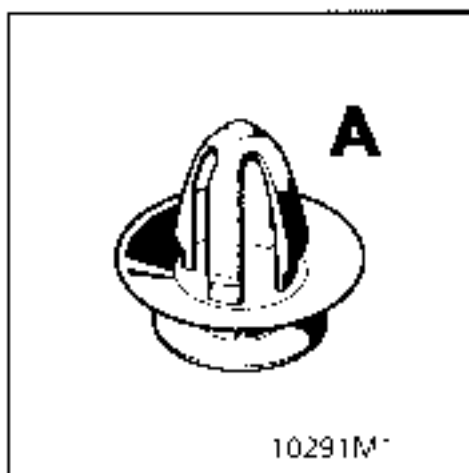
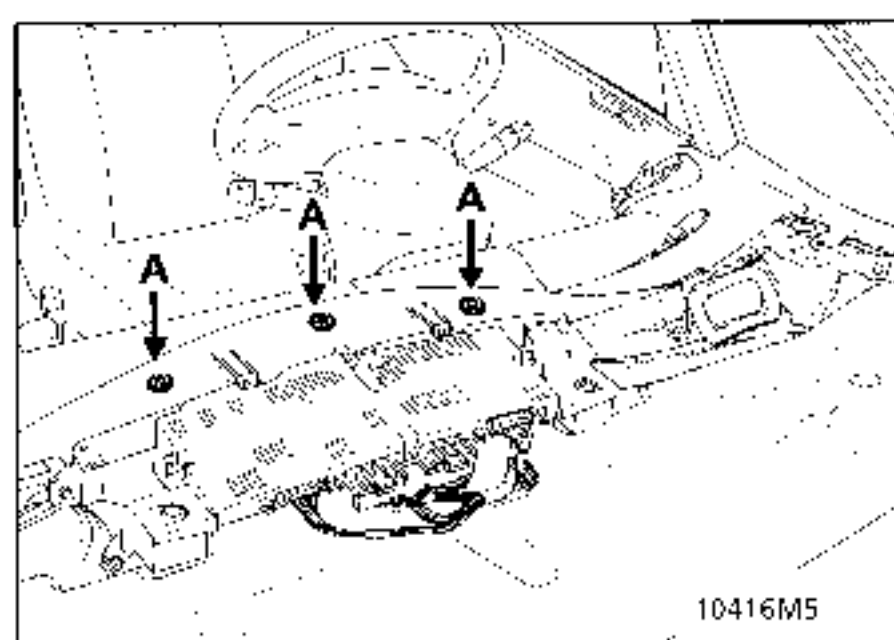
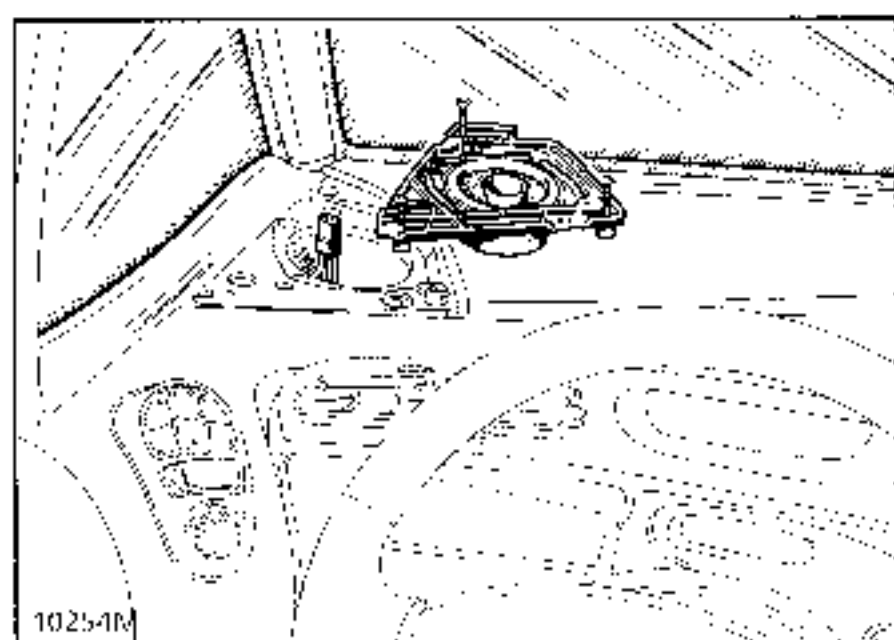
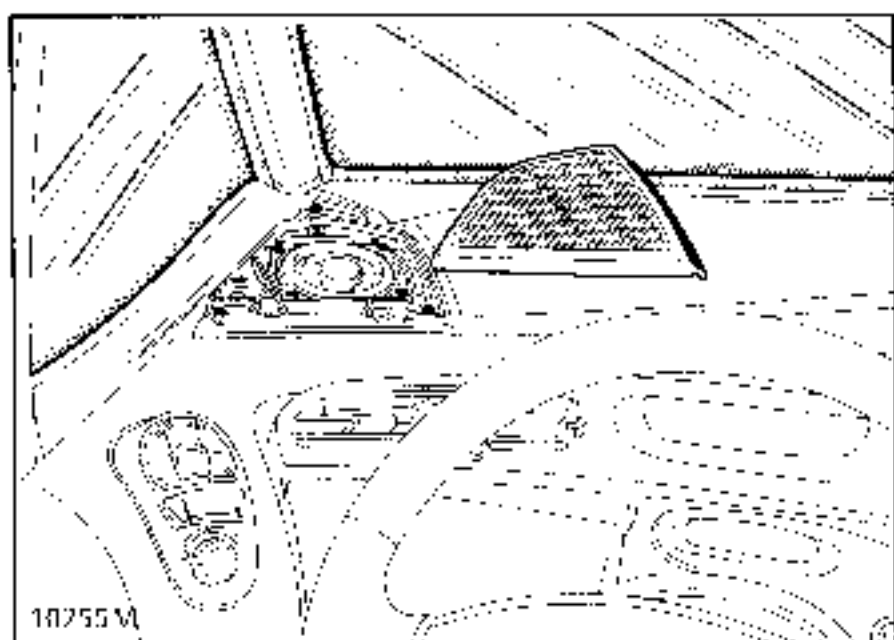
dashboard strip, air conditioning, steering column are placed in the vehicle centred by guide A and mounted at 4 points B, mounted by four brackets on the cowl side panels.

**8. The upper section (Dashboard front panel)**

with the demisting ducts and speakers covers the complete assembly.

POSSIBLE LEVELS OF REMOVAL

- 1- Remove the dashboard upper section,
- 2- Remove superficial trim,
- 3- Remove the complete dashboard assembly from the vehicle,
- 4- Move the dashboard assembly back 100 cm inside the vehicle.



### REMOVAL

This operation is necessary to reach:

- the display unit,
- the flasher unit,
- the fan motors,
- the fan speed electronic regulator,
- the recycling flaps control motors,
- protection of the soundproofing when welding the shock absorber turrets.

### OPERATION

Unclip the speaker grilles by hand, without using a tool, beginning at the edge next to the deflector.

Slacken the three mountings for each speaker mounting.

Disconnect the speakers and remove them.

On the V6 AT version, put the selector in position "2".

Lift the dashboard front panel, beginning in the corner and pull vertically to unclip the three mountings (A).

Remove the upper part of the dashboard by pulling backwards.

### REFITTING

Check the three clips (A) are present.

Refitting is the reverse of removal.

Check the operation of the radio.

### REMOVAL

Disconnect the negative terminal of the battery.

Remove the dashboard front panel.

Plug openings (C) on each side of the unit with cloths.

Slacken:

- the three rear mountings (A),
- the two vertical mountings (B).

Release the unit by pushing it towards the front.

Turn the unit over and disconnect it.

### REFITTING

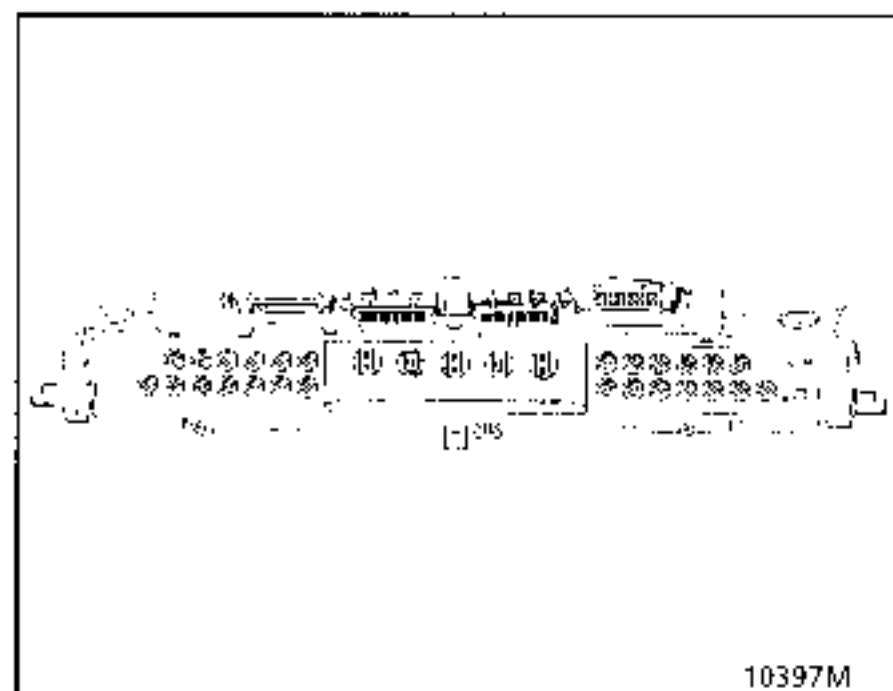
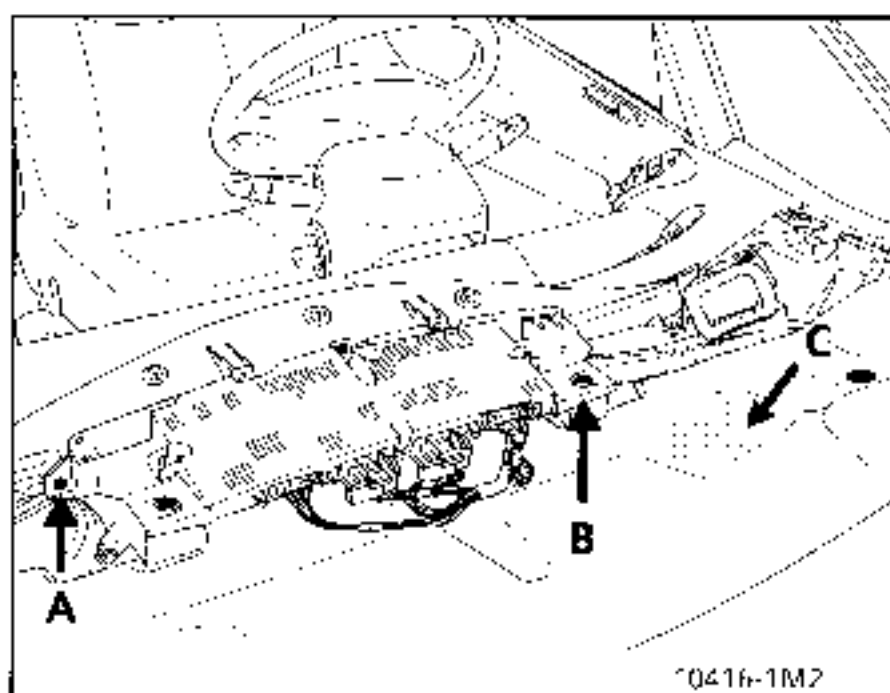
Connect the electrical feeds.

Tighten the five mountings.

Remove the cloths from the openings (C).

Refit the dashboard front panel.

Reconnect the battery and reset any accessories.



### REPLACEMENT

Set the new unit parameters using the XR25 (see section 83).

Check the operation of the radio.

## REMOVING THE STEERING WHEEL WITH AIRBAG

### IMPORTANT

- Before removal:
- Connect the XR25 to the vehicle
- Turn the ignition on
- use fiche n°49 (ISO selector on S8 code )

**D 4 9**

Lock the computer using the XR25

and command

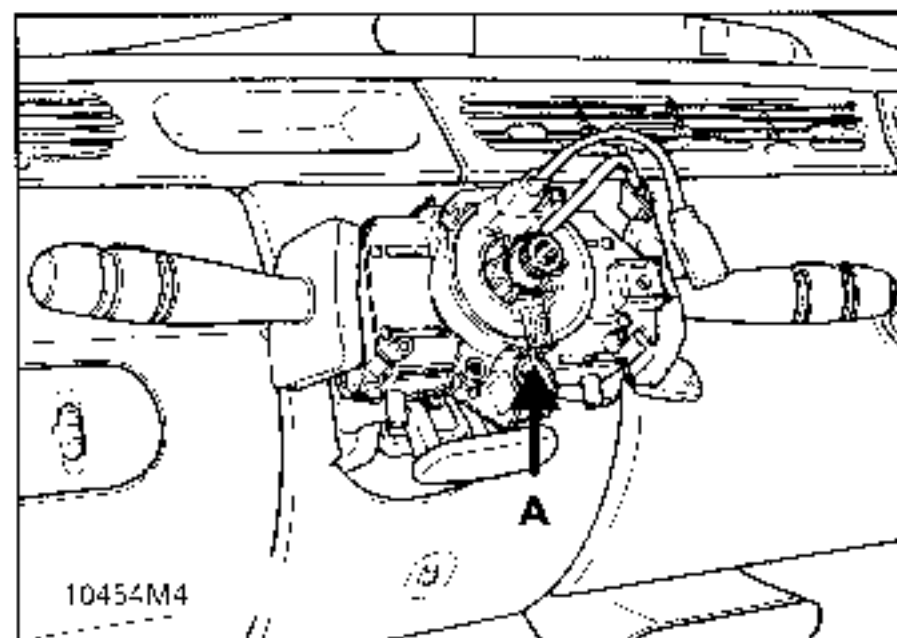
**G 8 0 \***

- When this function is activated, all the trigger lines are inhibited, the airbag warning light on the instrument panel and bargraph 14 LH side on the XR25 illuminate.
- Wait for 2 seconds for the unit to discharge automatically.
- Turn the ignition off.

Disconnect the battery.

Remove:

- the airbag cushion (slacken the two bolts behind the steering wheel and disconnect the white connector),
  - the rotary switch connectors (airbag and cruise control if fitted),
  - the steering wheel centre bolt (**this must be renewed**),
- the steering wheel after setting the wheels straight and immobilising the rotary switch using adhesive tape (A).



## REFITTING THE STEERING WHEEL WITH AIRBAG

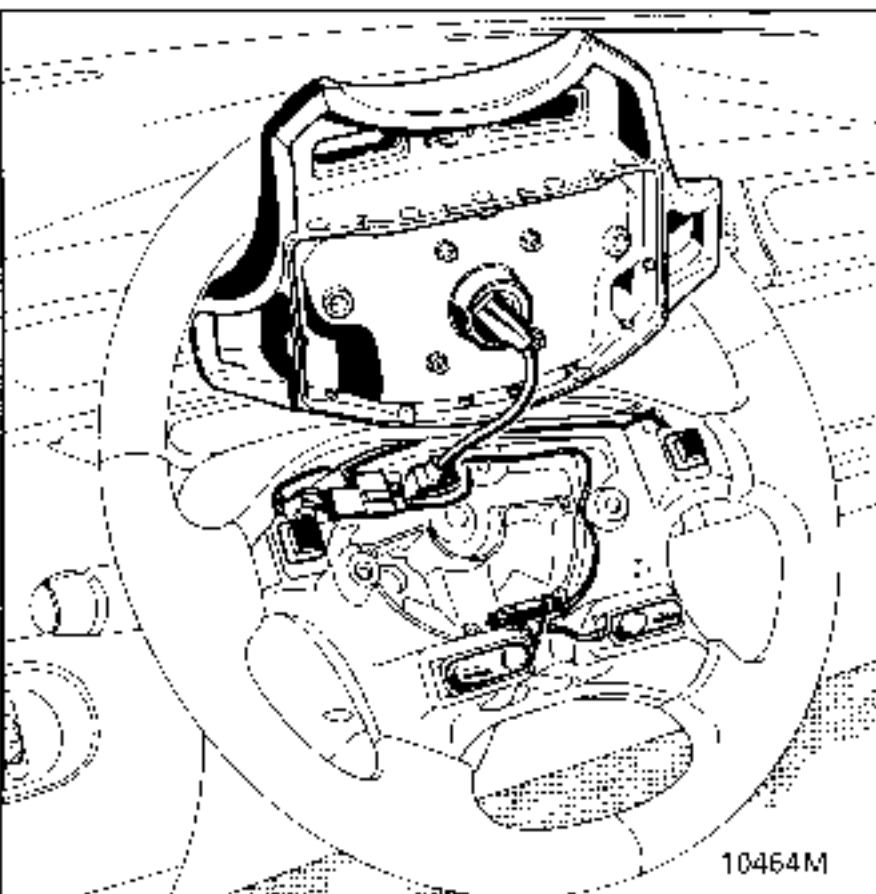
Ensure that the wheels are still straight.

Remove the adhesive tape immobilising the rotary switch or follow the centring method described in section 88 "Driver's airbag".

Replace the steering wheel bolt (pre-bonded bolt) and tighten to 4.5 m.daN.

Fit the two cruise control wires into the flexible lugs on the steering wheel hub.

Fit the airbag cushion and tighten the 2 bolts.



### IMPORTANT:

When everything has been refitted:

- check using the XR25 that there are no faults on the system.
- if all is correct, unlock the computer using command **G 8 1 \***
- check that bargraph 14 LH side on the XR25 is extinguished.

If the warning light does not operate as described above, refer to the section "Fault finding" and check the system using the XRBAG tool (Elè.1288) or the XR25.

**REMOVING THE PASSENGER AIRBAG**

Lock the computer using the XR25 by entering **G80\*** (ISO selector on S8, code D49)

When this function is activated, all the trigger lines are inhibited, the airbag warning light on the instrument panel and bargraph 14 LH side on the XR25 illuminate.

Wait 2 seconds for the unit to discharge automatically then turn the ignition off.

Disconnect the battery.

From the passenger side, remove:

- the speaker grille,
- the lower console,
- the airbag cover mountings (Torx TX20P),
- the heating control.

Lift the cloth strip on the passenger side.

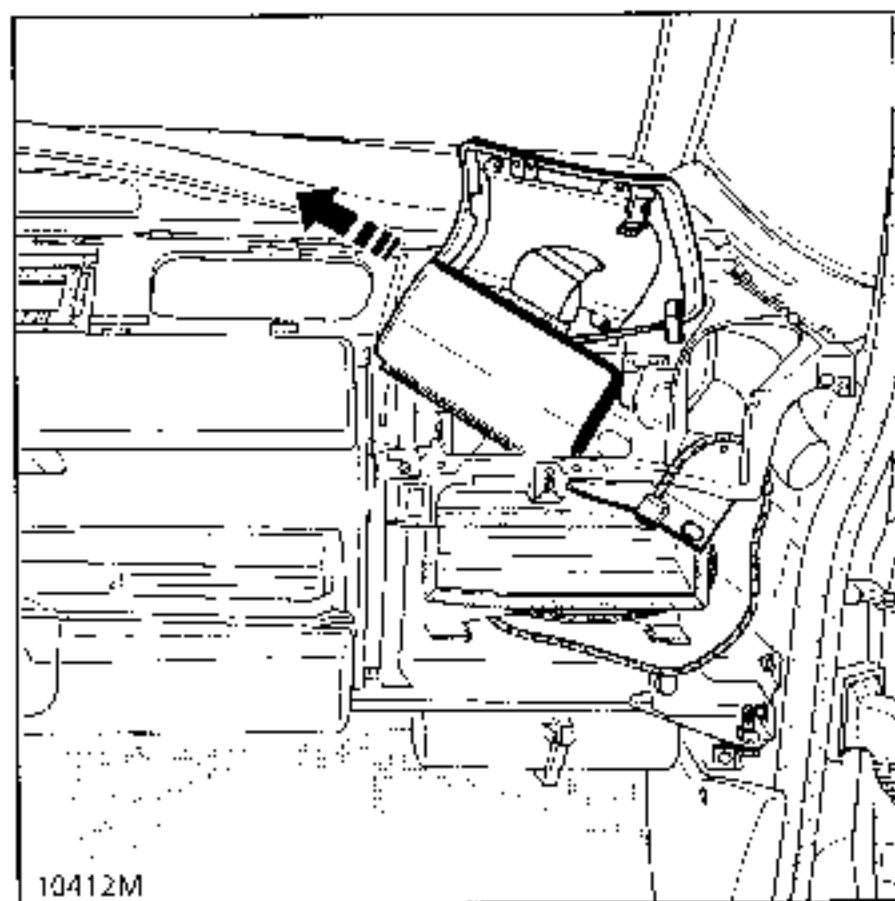
Remove:

- the centre vent and the passenger side vent,
- the 2 mountings (A) (Torx E12).

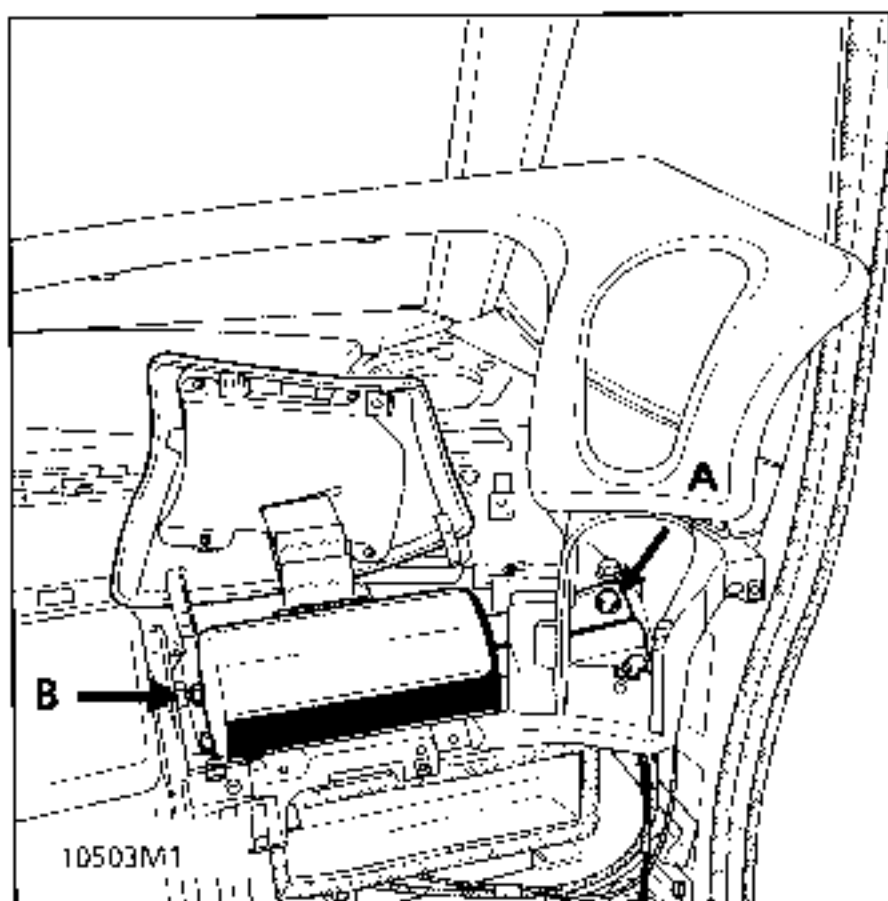
Use a ring spanner to slacken the 2 hexagonal bolts (B).

Release the airbag cushion and its mounting, lifting it and pulling it towards the centre storage tray.

Remove the flanges and disconnect the 2 generators.



10412M



10503M1

## REFITTING THE PASSENGER AIRBAG

Connect the two wiring looms.

Refit the two flanges to the connectors.

Refit the airbag cushion and support assembly and torque tighten to 2.4 daN.m.

Connect the battery.

### IMPORTANT:

When everything has been refitted:

- check using the XR25 that there are no faults on the system.
- if all is correct, unlock the computer  
using command **G 8 1 \***
- check that bargraph 14 LH side on the XR25 is extinguished

If the warning light does not operate as described above, refer to the section "Fault finding" and check the system using the XRBAG tool (Elé.1288) or the XR25.

### IMPORTANT:

If these instructions are not followed the systems may not operate normally and may even be incorrectly triggered.

### REMOVING THE LEFT AND RIGHT HAND CONSOLES

This operation is necessary on the driver's side to reach :

- the air conditioning control,
- the driver's cloth cover,
- the console under the steering wheel,
- the cover or AT repeater surround,
- moving the complete dashboard back,
- the mixing and distribution flap motors.

This operation is required on the passenger's side to reach :

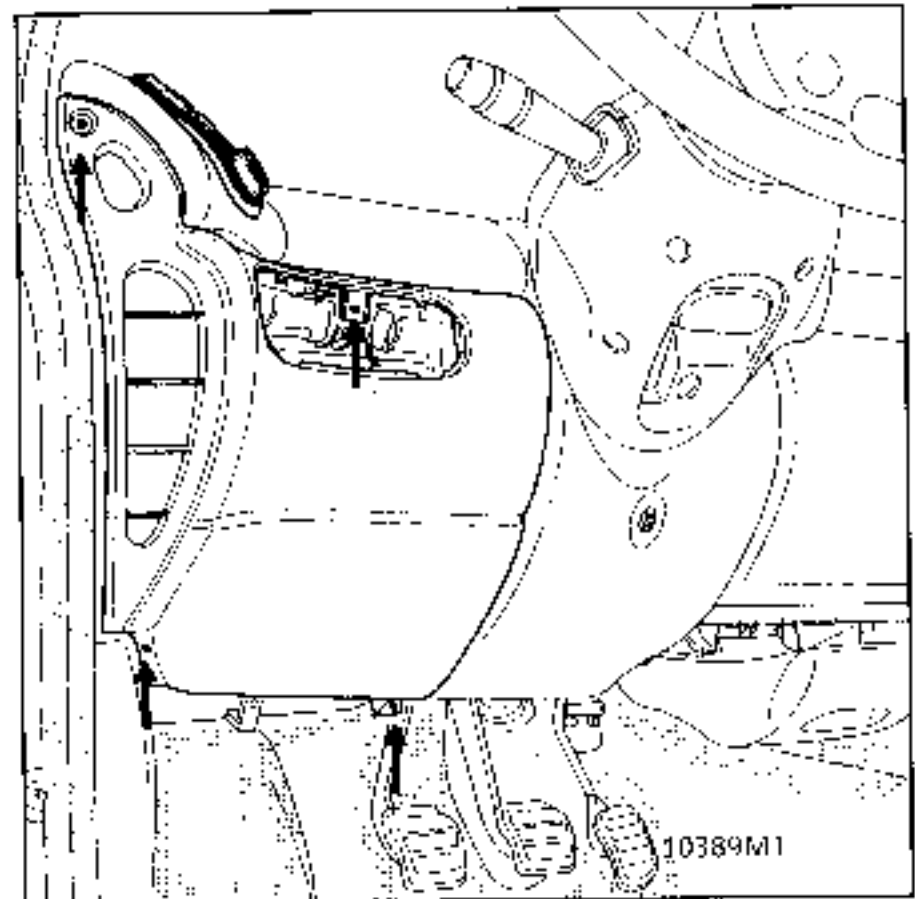
- the air conditioning control,
- moving the complete dashboard back,
- the mixing and distribution flap motors.
- airbag.

### OPERATION

Do not remove the front inner sills.

Remove:

- the 4 mounting bolts,
- the mounting for the switches and disconnect them on the driver's side.



Disconnect the cardboard air duct.

### REFITTING THE LEFT AND RIGHT HAND CONSOLES

Stretch the cardboard duct a few centimetres to fit it onto the end of the console.

Refit the 4 bolts.

Connect and refit the switches.



#### REMOVING THE CONSOLE UNDER THE STEERING WHEEL

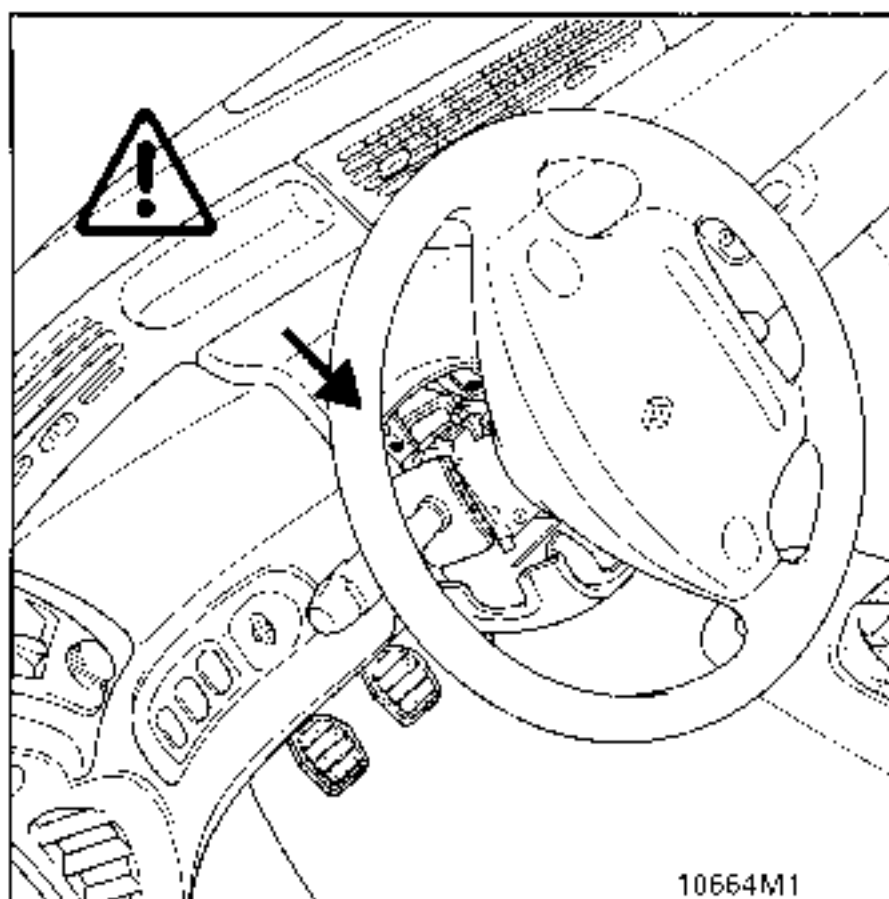
This operation is necessary to reach:

- the steering column,
- the cover or AT repeater surround,
- the pedal mounting.

Remove :

- the driver's side console,
- the steering wheel lower half cowlings, then the upper half cowlings to reach the 2 bolts common to the cloth cover or the AT repeater surround (depending on version),
- the cloth cover,
- the 4 mounting bolts for the console under the steering wheel.

Disconnect the lighting rheostat.



#### REFITTING THE CONSOLE UNDER THE STEERING WHEEL

##### **IMPORTANT:**

The two front mounting bolts must never be replaced by longer bolts which would damage the wiring loom.

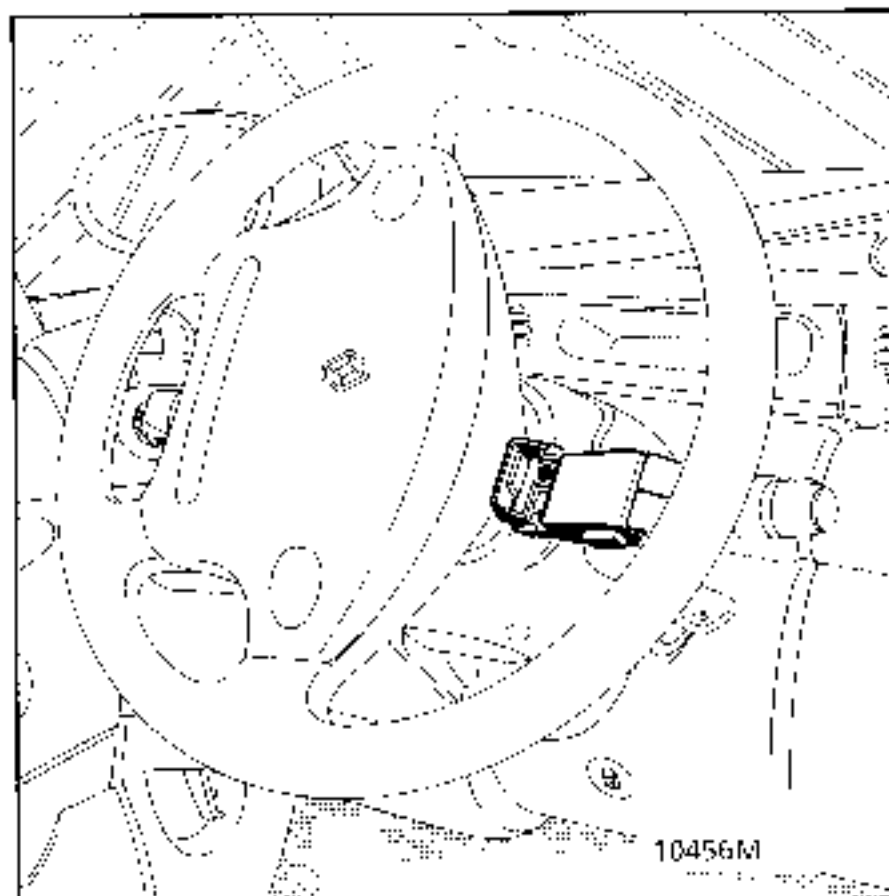
**REMOVING THE HALF COWLINGS**

This operation is necessary on the driver's side to reach:

- the controls under the steering wheel,
- the cover or AT repeater surround.

**OPERATION**

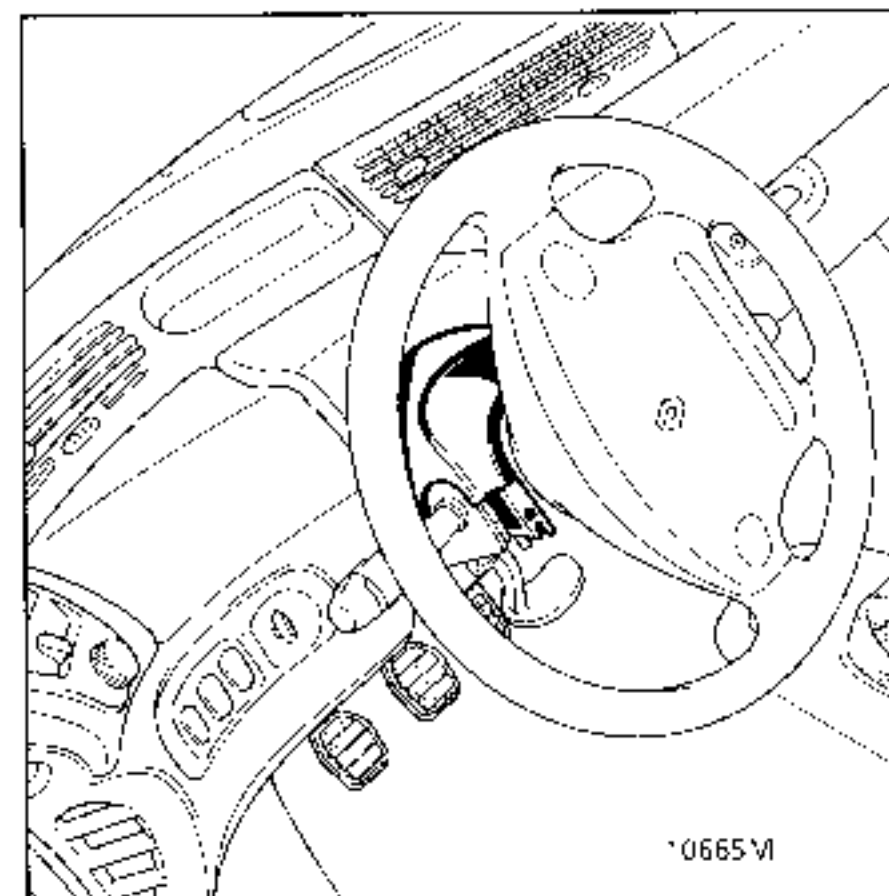
Remove the 5 mounting bolts and separate the lower cowling (screwdriver T20 x 100).



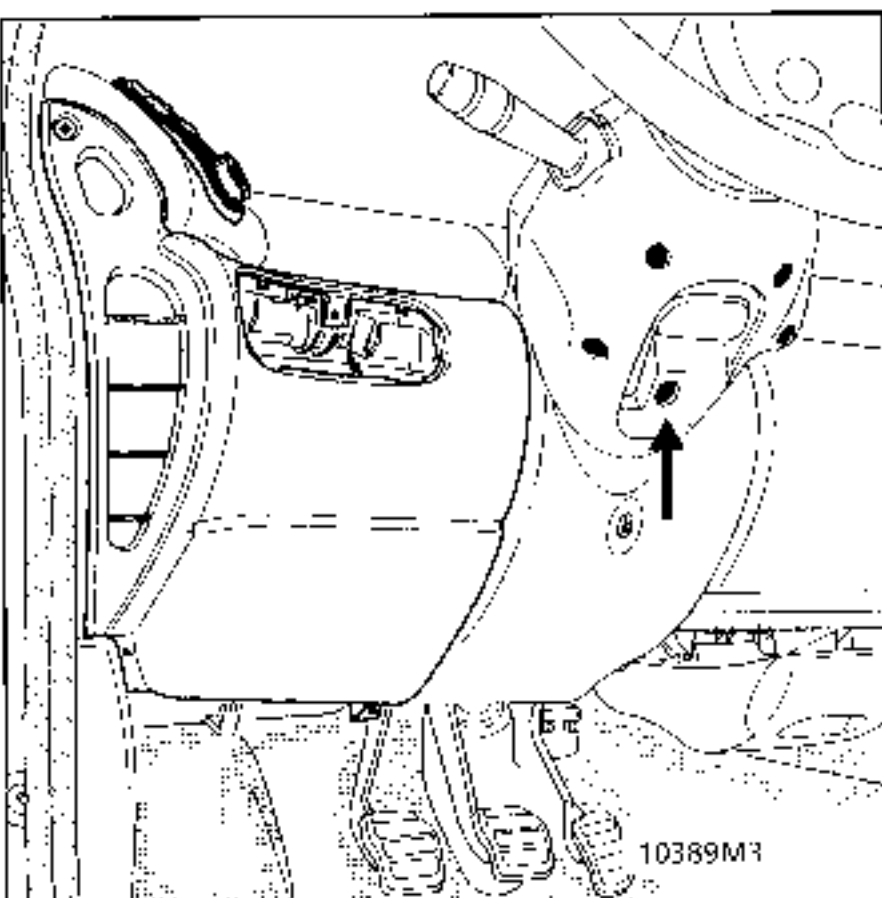
Remove the lower half cowling, releasing the satellite wire.

Remove:

- the two upper cowling bolts, reached by turning the steering wheel,



- the upper cowling.



Remove the radio satellite.

Turn the steering wheel a quarter turn, lift the cover, separating the lower wings then the upper ones and tilt it towards the steering wheel to slacken the hexagonal socket bolt.

**REFITTING THE STEERING WHEEL COWLINGS**

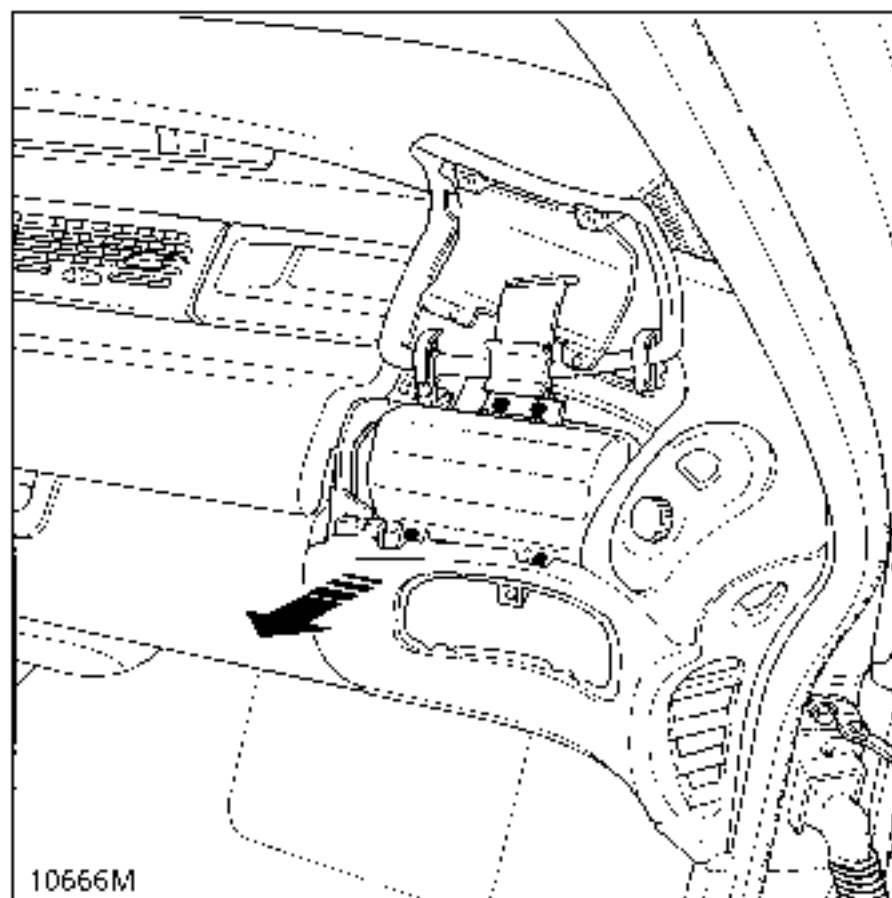
There are no special notes for refitting.

### REMOVING THE PASSENGER AIRBAG COVER

Separate the upper section of the lower passenger console (1 bolt behind the hole cover).

Remove the two bolts with head type (TX20P) and lift the cover to release the 2 rear clips.

Slacken the 2 nuts mounting the strap.



### REFITTING THE PASSENGER AIRBAG COVER

Tighten the 2 nuts mounting the strap to the correct torque.

Replace the 2 bolts of head type TX20P.

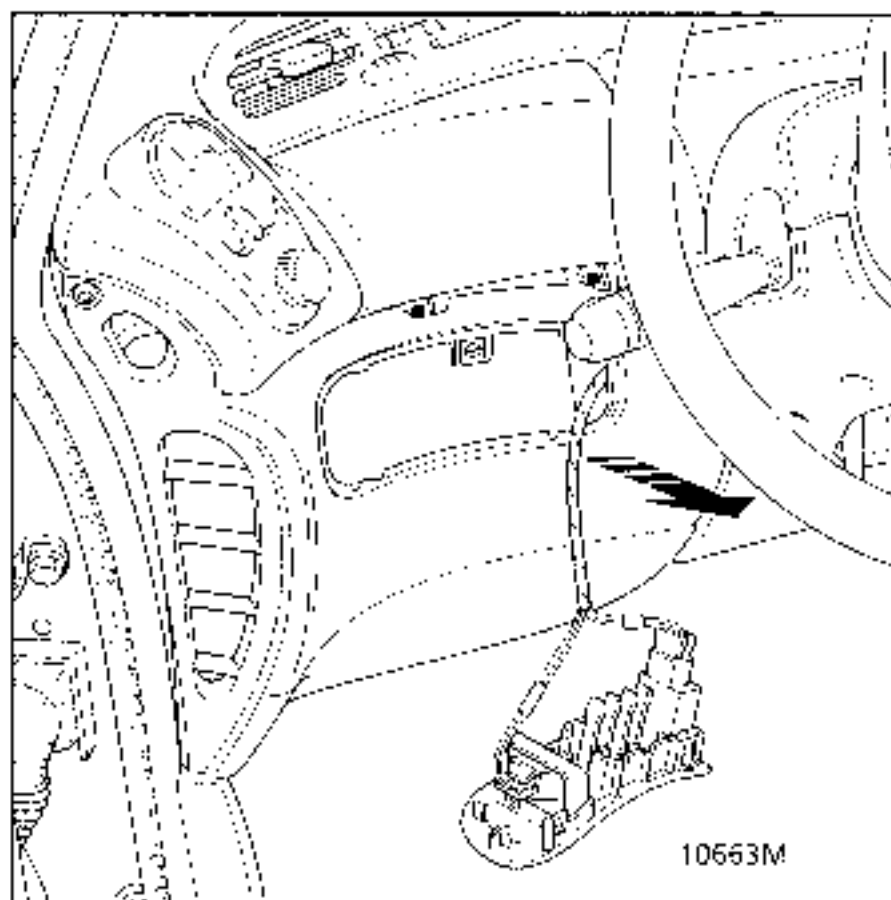


10668-8M

### REMOVING THE DRIVER'S COVER

Remove:

- the driver's lower console (4 bolts),
- the 2 bolts and lift the cover to release the 2 rear clips.



### REFITTING THE DRIVER'S COVER

There are no special notes for refitting.

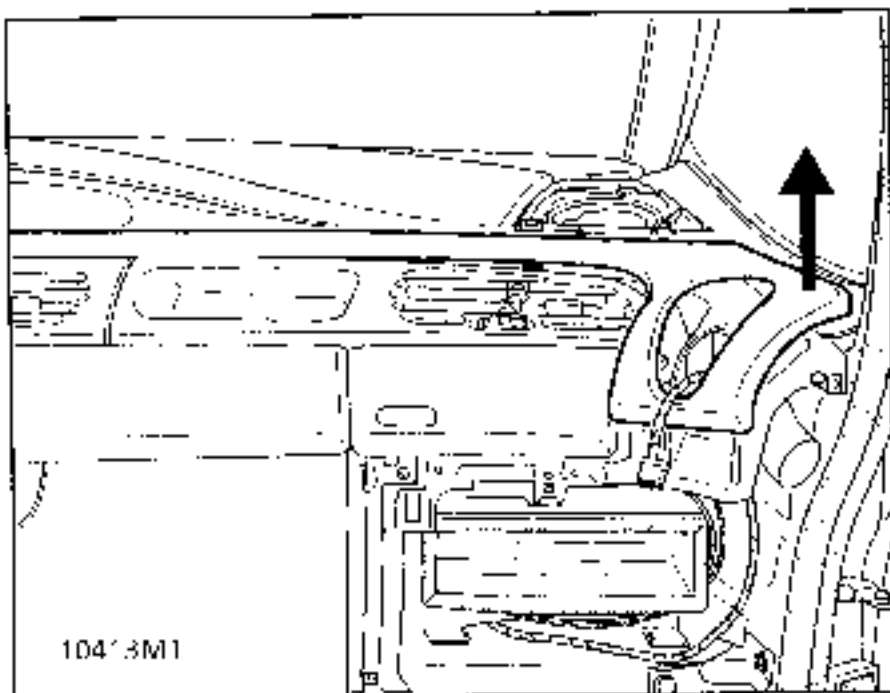
### REMOVING THE CLOTH STRIP

Remove:  
- the speaker grilles,  
- the 2 lower consoles.

Slacken the mounting bolt for each heating control

Disconnect and remove these controls.

To lift the strip, begin lifting in one corner and pull upwards to unclip the mountings.



### REFITTING THE CLOTH STRIP

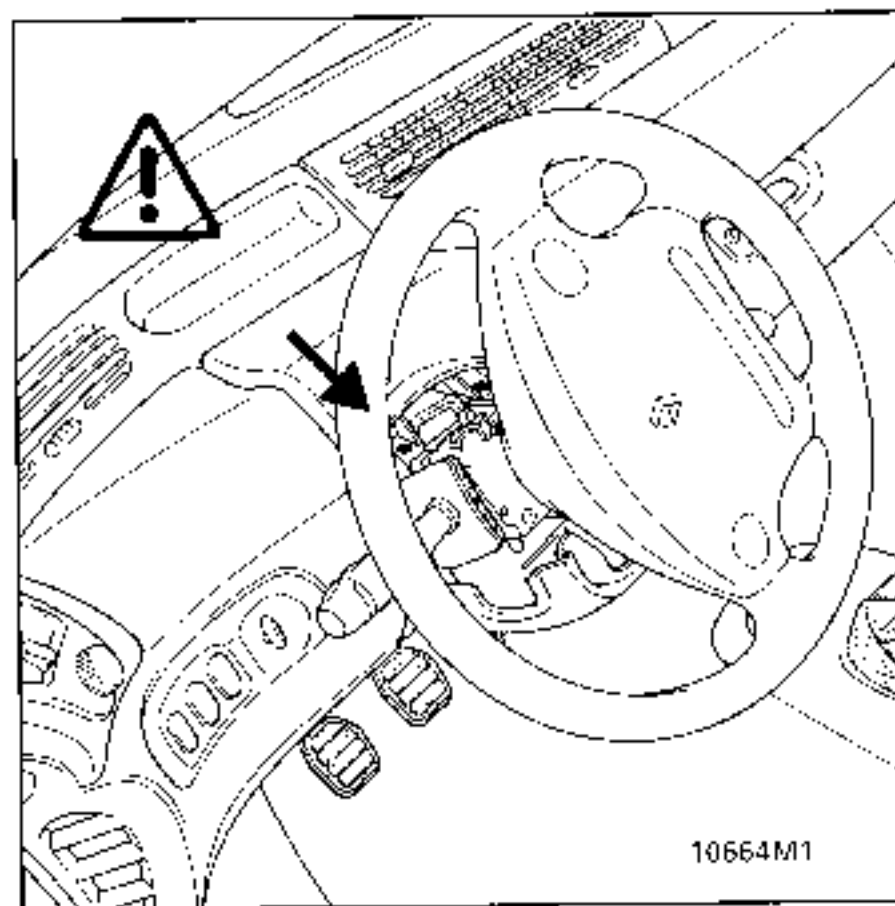
Important - ensure the heating controls are automatically set (see section 84)

### REMOVING THE CLOTH STRIP SURROUNDING THE STEERING

Remove:  
- the steering wheel half cowlings,  
- the driver's lower console and the driver's cover.

Slacken the 2 front mounting bolts.

Lift the cloth strip to release the rear clips.



### REFITTING THE CLOTH STRIP SURROUNDING THE STEERING

#### IMPORTANT:

The two front mounting bolts must never be replaced by longer bolts which would damage the wiring loom.

## REMOVING THE STEERING SURROUND

Remove:

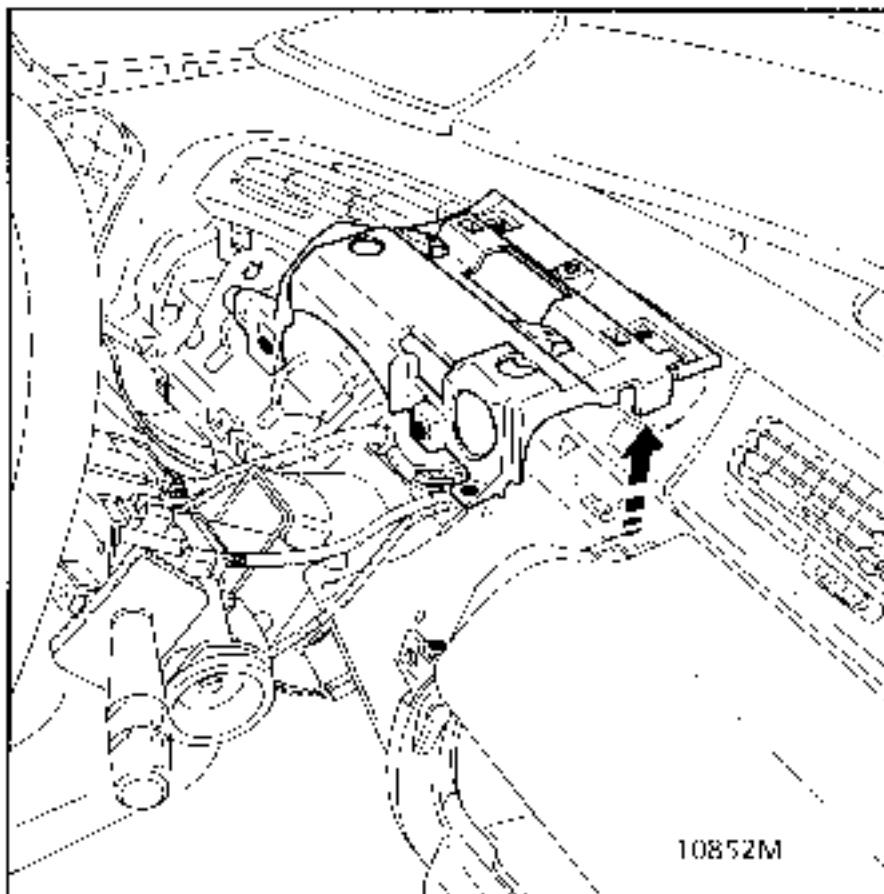
- the steering wheel half cowlings,
- the driver's lower console,
- the driver's cover.

Slacken the 2 front mounting bolts.

Lift the cloth strip to release the rear clips.

Remove the 5 surround mounting bolts.

Disconnect the automatic transmission repeater.

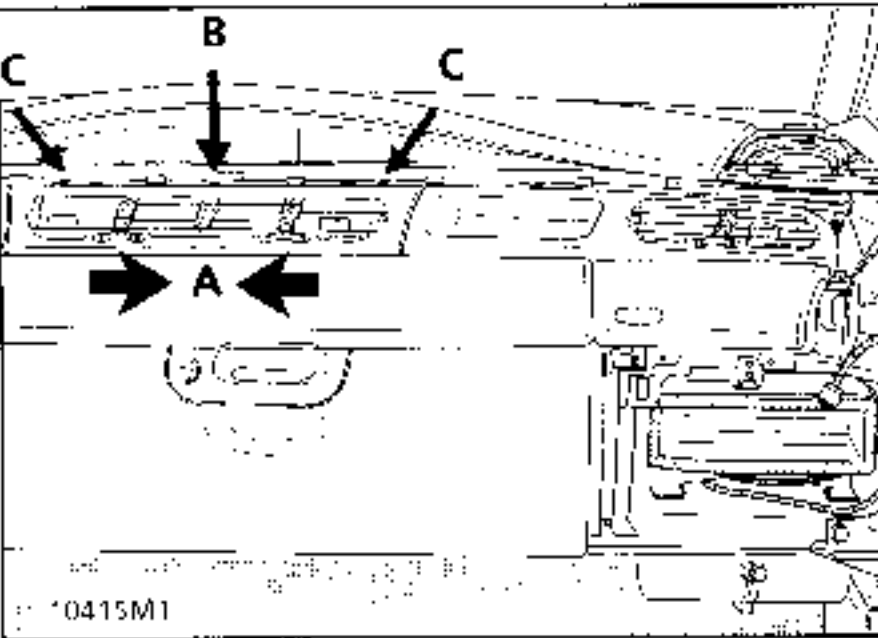


## REFITTING THE STEERING SURROUND

### IMPORTANT:

The two front mounting bolts must never be replaced by longer bolts which would damage the wiring loom.

## REMOVAL



Unclip the centre section of the cloth strip and lift it in the centre.

Set the two control wheels to position (A) (vents in closed position).

Slacken mounting (B).

Unclip:

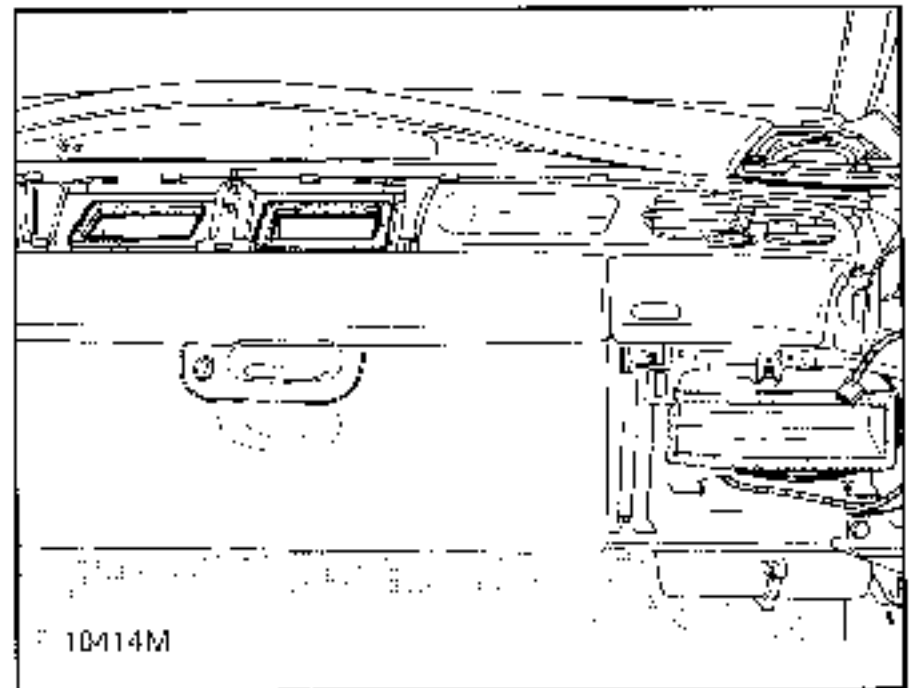
- the mountings (C),
- the bottom of the vent,

Remove the vent, tilting it towards you.

## REFITTING

Refitting is the reverse of removal, after using a flat tool to compress the inflating seals.

Check the flaps operate correctly.



**REMOVAL**

Remove the side console on the side in question and the heating control.

Lift the cloth strip.

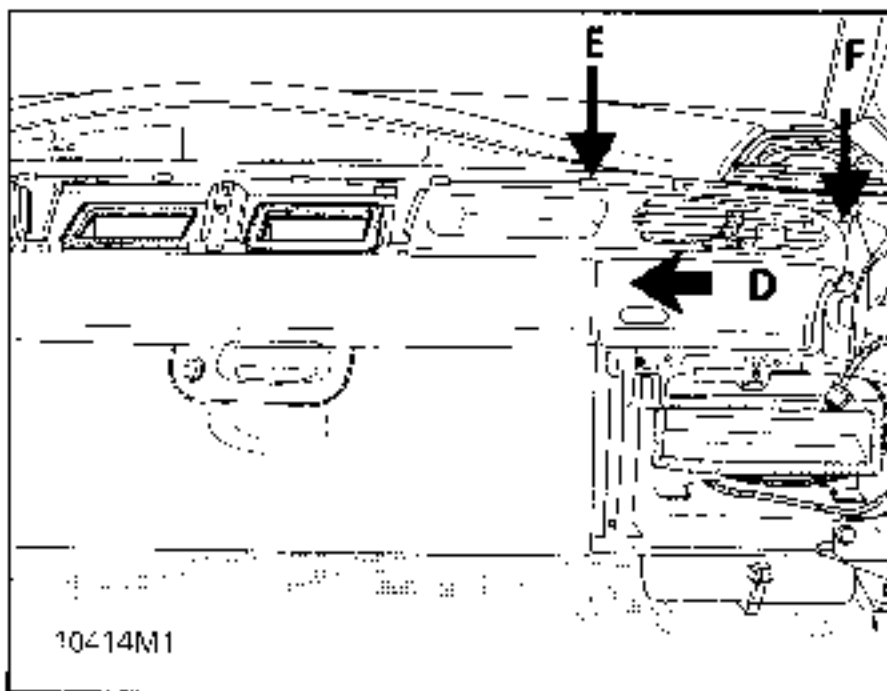
Remove the centre vent.

Place the control wheel in position (D).

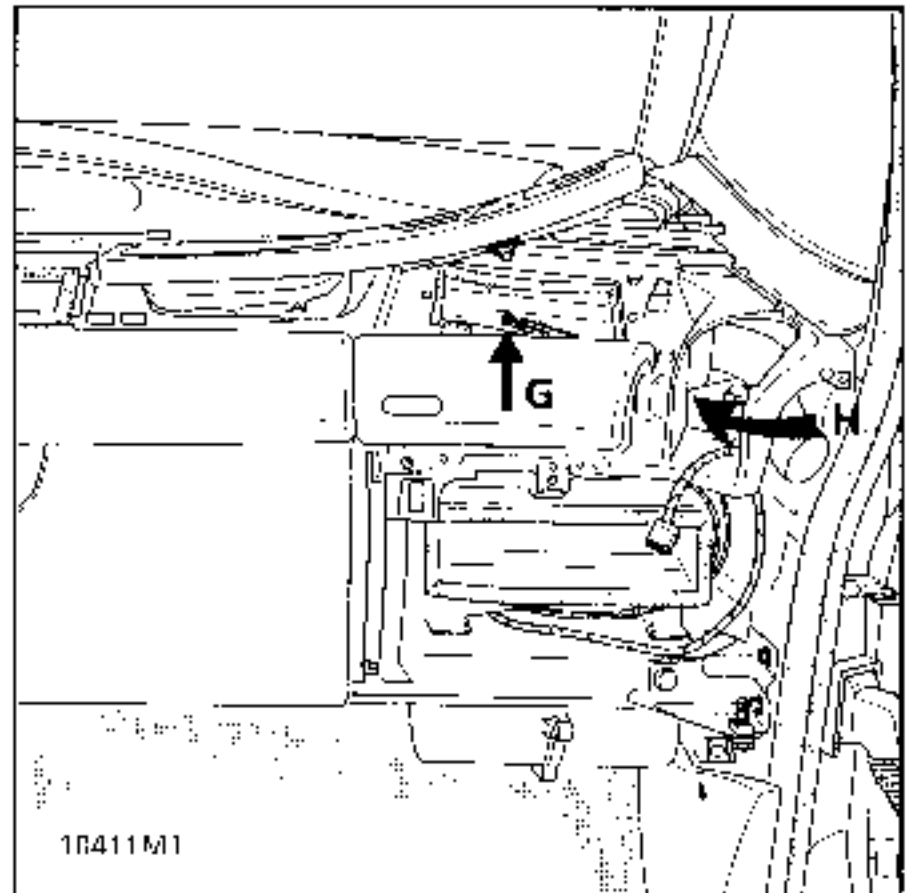
Remove clip (E).

Slacken mounting (F).

Remove the vent pulling it a few millimetres at the glovebox side, taking care not to damage the control bar.



Release the ball joint (G) from the bar by pressing down and remove the vent.



**REFITTING**

Begin by connecting the ball joint (D).

Refit the vent into position, taking care not to damage the foam seal (non-inflating).

Check the bar is connected by checking the control's mechanism (H).

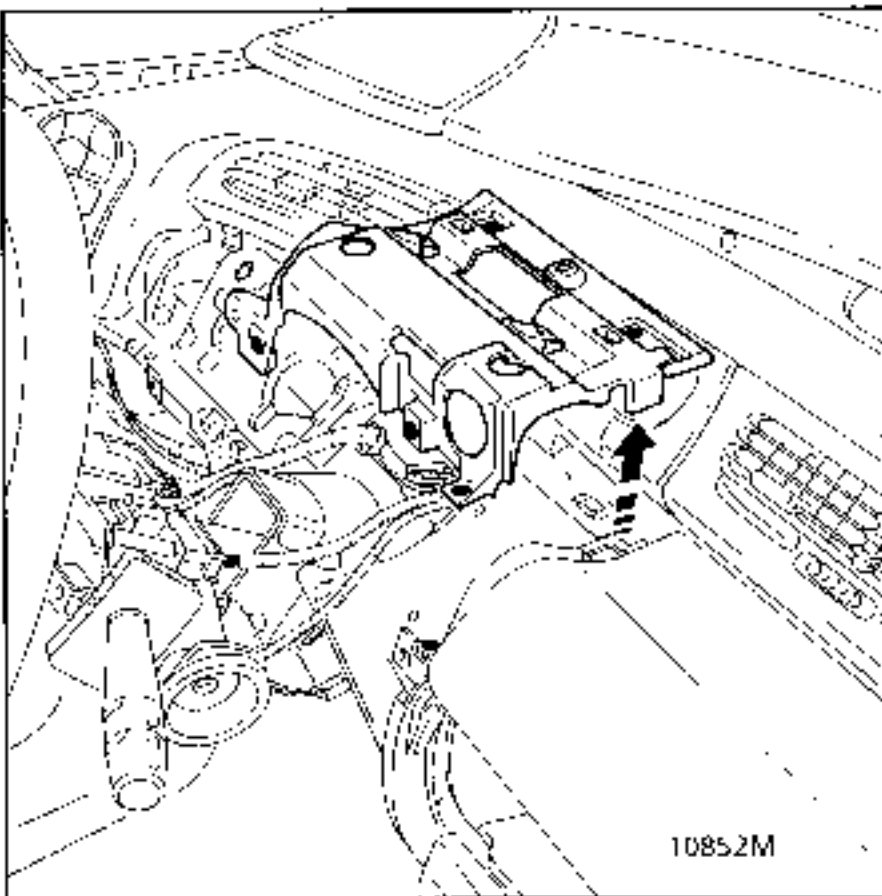
Check the fins can be correctly positioned.

Ensure the controls are automatically set (see section 84)

## REMOVING THE STORAGE ASSEMBLY

Remove:

- the ashtray,
- the right and left hand side consoles and those under the steering wheel,
- the steering wheel half cowlings,
- the steering surround cloth cover,
- the passenger airbag cloth cover without removing it from the strap,
- the driver's cloth cover,
- the steering surround and move it to one side without disconnecting the AT repeater if fitted.



Remove the K7 reader if fitted  
(see following pages).

Release the carpet at the bottom of the storage unit and remove the 2 bolts + 1 side bolt.

Remove the large headed bolts from the cover hinge.

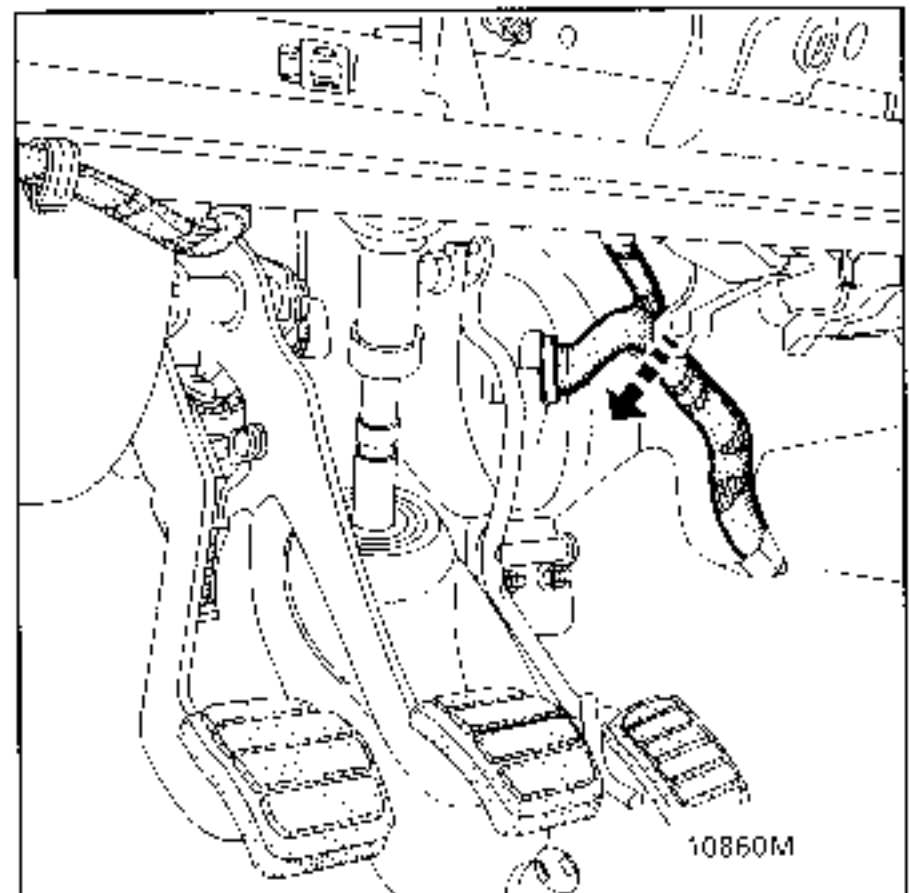
Remove the storage tray, disconnecting the light and releasing the aerial wires and the radio satellite wires.

## REFITTING THE STORAGE ASSEMBLY

This operation is delicate.

Fit the storage tray between the passenger airbag and the steering column flange, taking care not to damage the flap levers and fitting the lighting wiring.

Fit the wiring for the aerial and radio satellite.



Check there is no interference between the passenger compartment wiring and the the lower left hand corner of the storage tray.

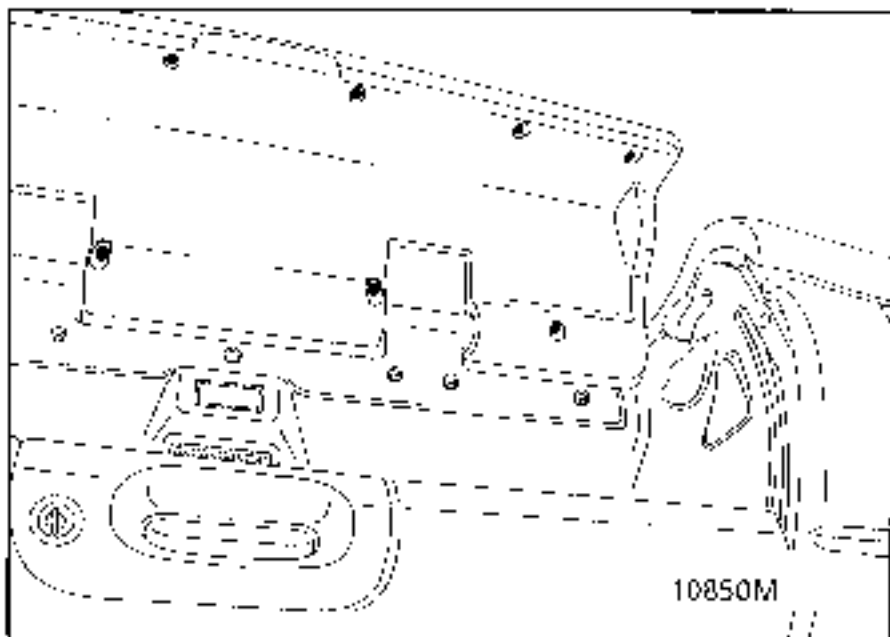
Connect the light.

Refitting is then the reverse of removal.



### REMOVING THE COVER

Remove the cloth trim (10 bolts).

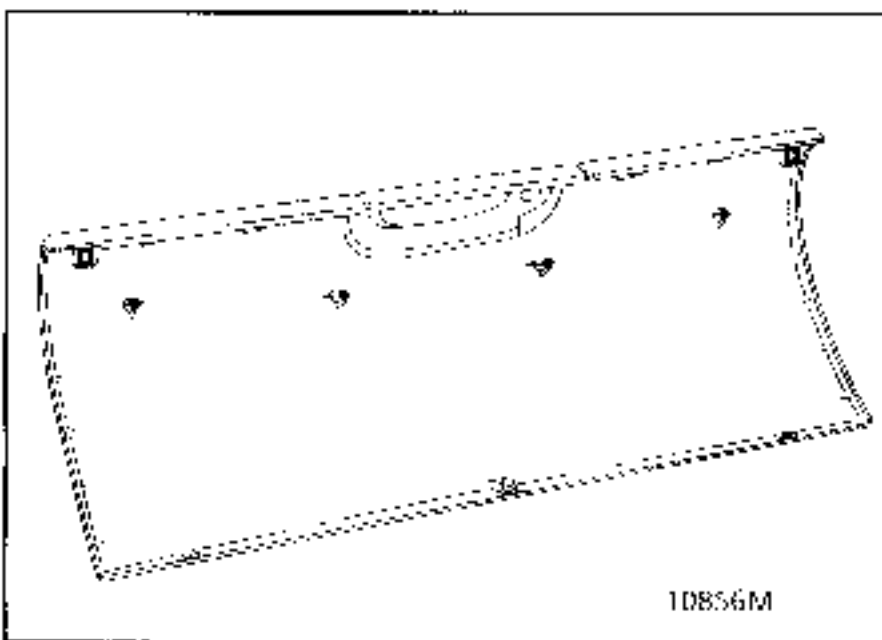


### REMOVING THE FRONT OF THE FOLDING FLAP

Remove:

- the 3 lower bolts, reached from below,
- the 6 interior bolts.

Remove the folding flap front section.

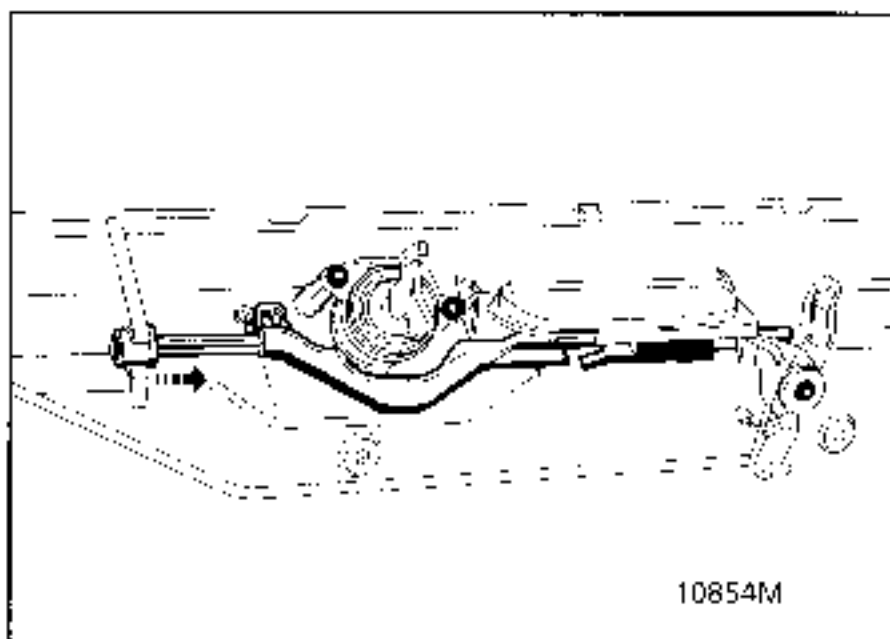


### REMOVING THE LOCK MECHANISM

Remove the folding flap front section.

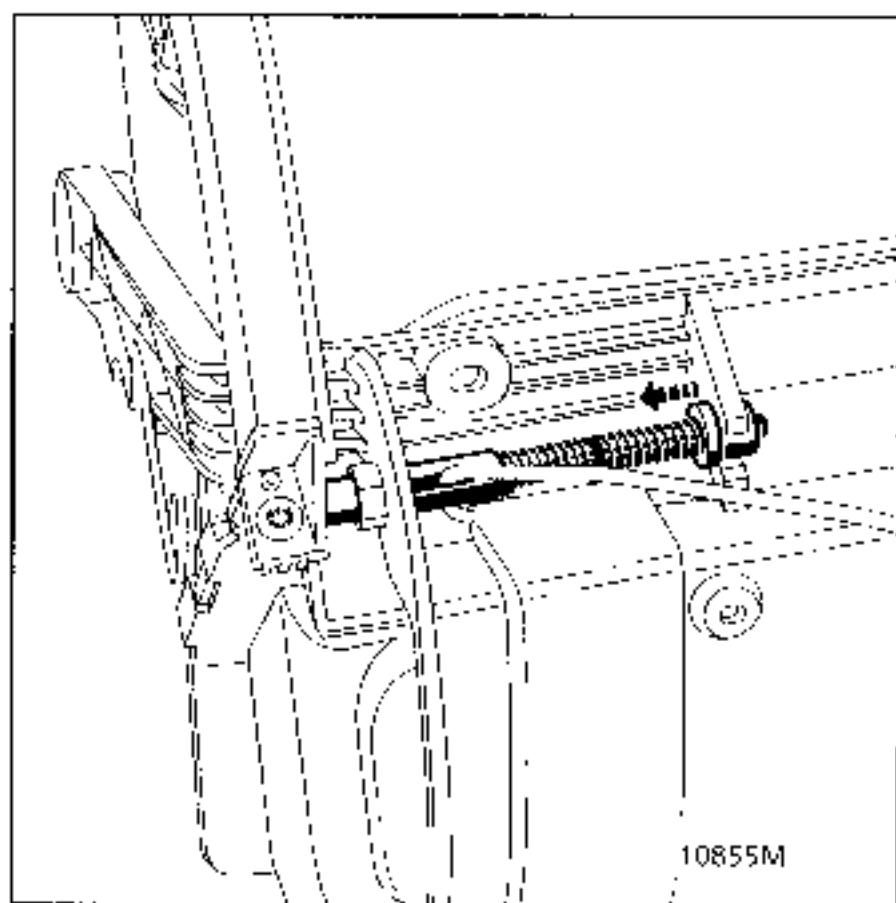
Slacken the linkage control mechanism bolt.

Remove the tilting mechanism.



Remove the control linkages.

Remove the locking pins.



Push the control handle pin sideways.

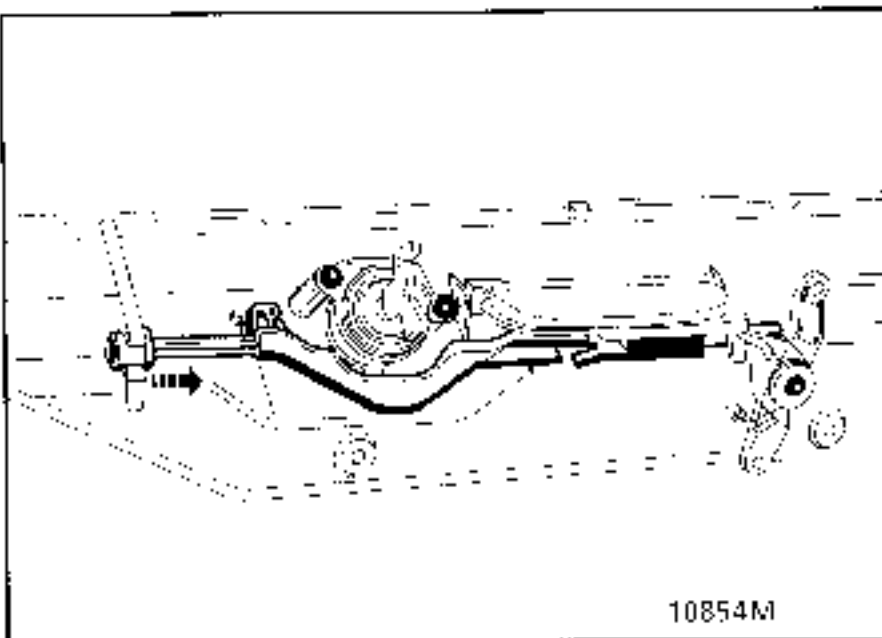
Remove the lock barrel control pin.

### REMOVING THE LOCK BARREL

Remove the folding flap front section.

Slacken the 2 lock barrel mountings.

Remove the lock barrel.

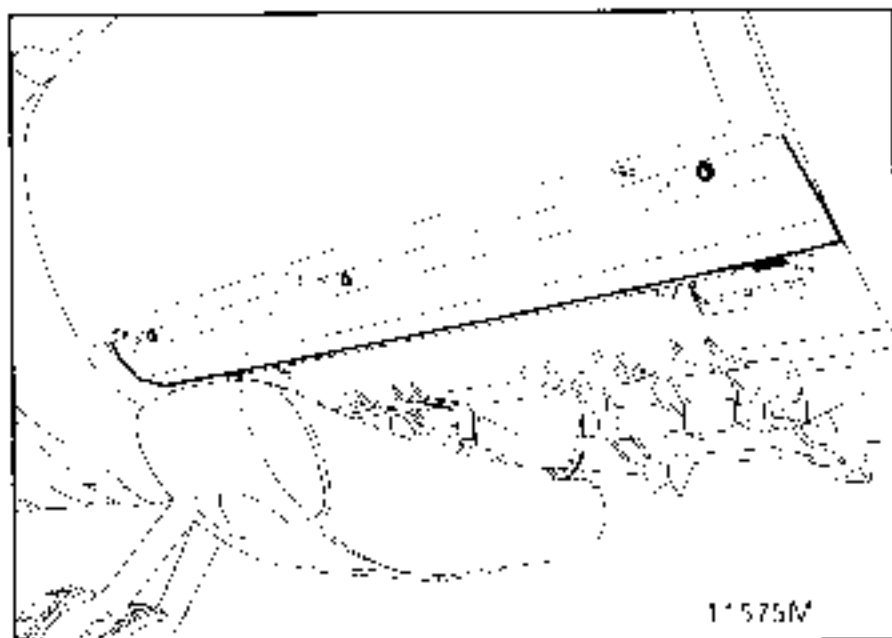


### REMOVING THE LOWER CHANNEL

Remove:

- the lower metal panel (3 bolts and 2 clips),
- the centre storage tray.

Remove the wiring channel.

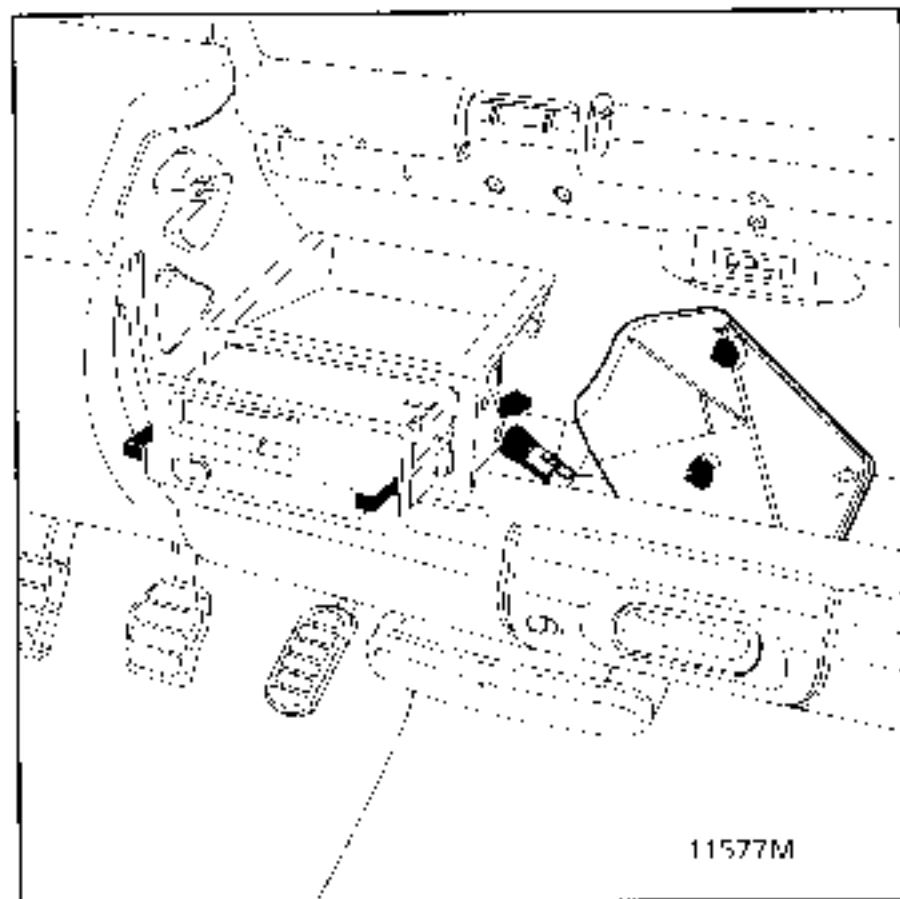


### CASSETTE PLAYER OR RADIO MOUNTING

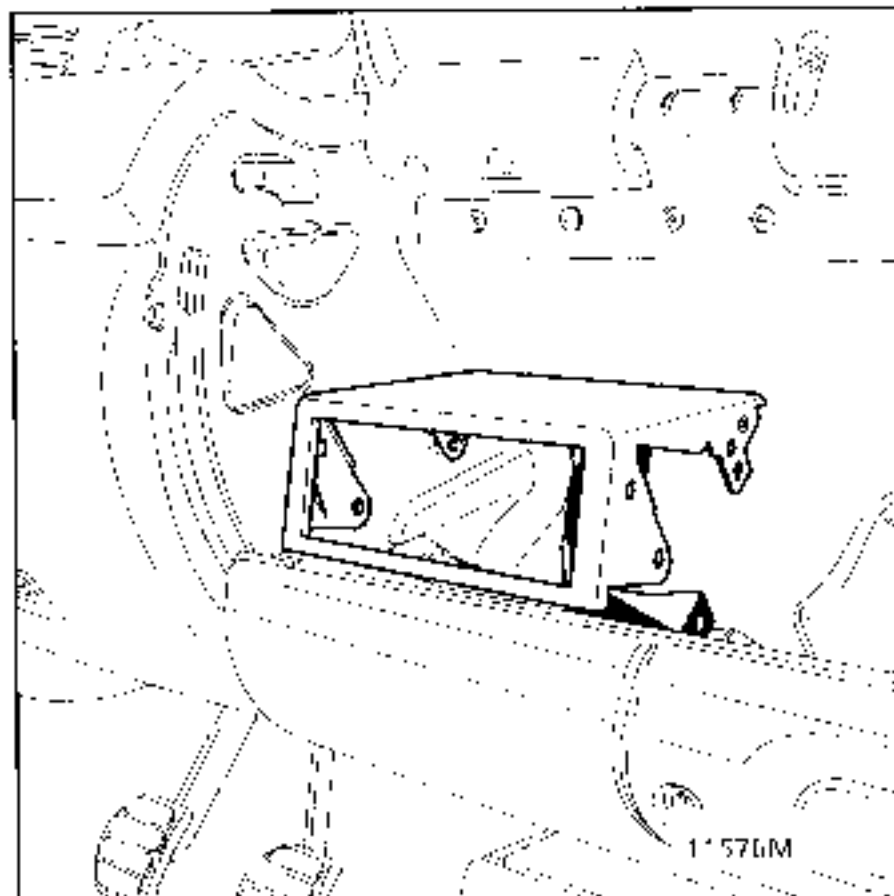
Remove:

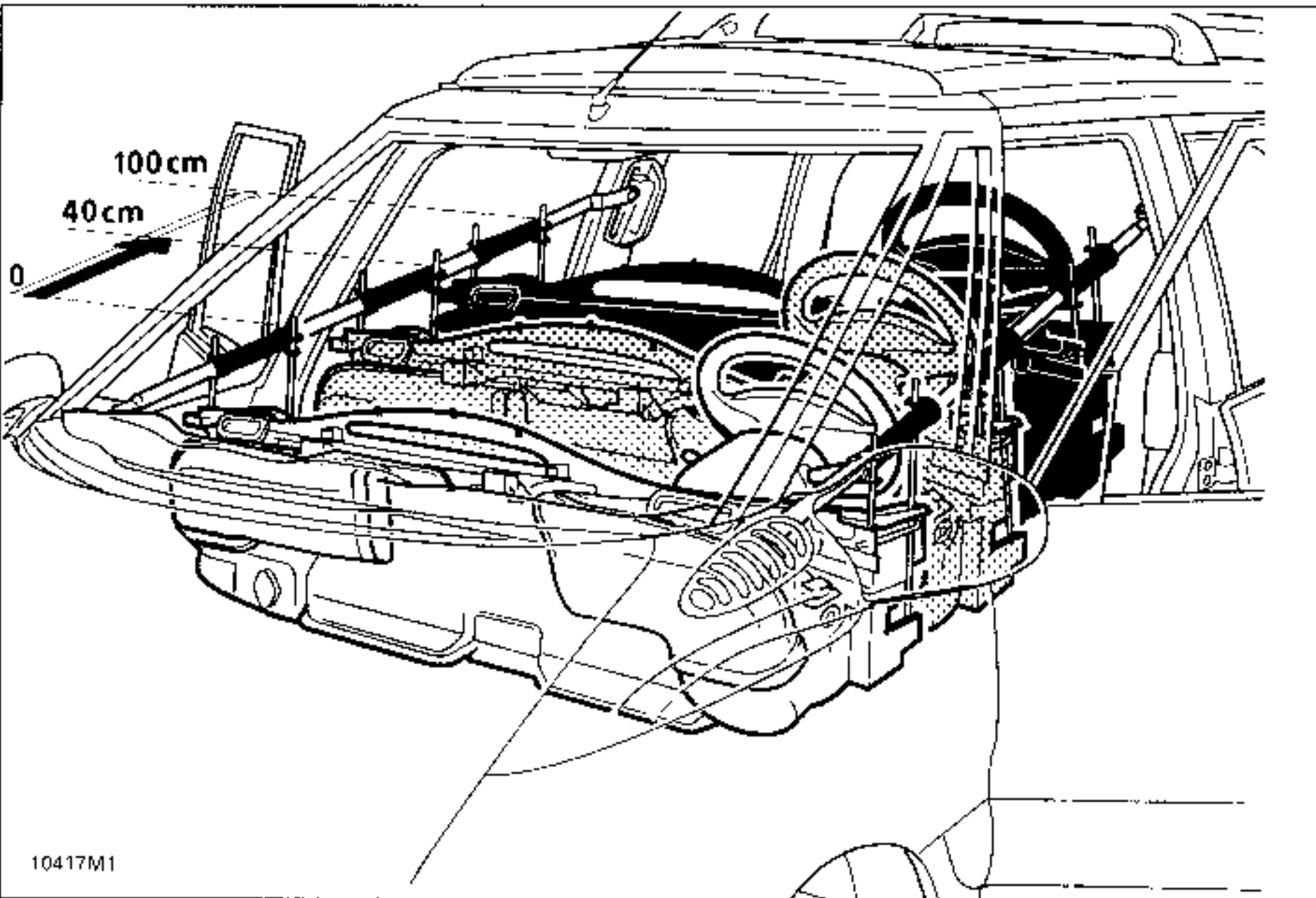
- the radio or cassette unit (2 keys),
- the casing for the unit (2 clips).

Disconnect the electrical connections.



Remove the metal frame and its bodywork, (2 bolts at the side and 2 vertical bolts).





10417M1

**MOVING THE ASSEMBLY BACK**

**SPECIAL TOOLING REQUIRED**

Car. 1393	Dashboard "Téléphérique"
-----------	--------------------------

Moving the dashboard back allows the following removal and refitting operations to be carried out without the dashboard having to be removed from the vehicle.

- Moving back 40 to 50cm :**
- Heater matrices, heating and air conditioning units
  - Bodywork (front pillars...)
- Moving back 1 metre :**
- Fan evaporator unit
  - Major bodywork

**Complete removal:**  
Possible with ease after the "Moving back 1 metre" operation.

This operation is carried out with the vehicle on the ground.

This section gives details on:

- safety and cleanliness - preliminary notes,
- the operating principle of tool Car. 1393,
- removal of mechanical components,
- electrical disconnections,
- fitting tool Car. 1393,
- moving the complete dashboard back,
- refitting.

**PRELIMINARY OPERATIONS - OBLIGATORY**

**De-activate the AIRBAGS**

**Protect all trim**

**Disconnect the passenger compartment connection unit**

**Disconnect the AT control lock**

**Close the centre vents**

**De-activating the AIRBAGS**

**IMPORTANT**

**Before removal:**

- Connect the XR25 to the vehicle
- Turn the ignition on
- use fiche n°49 (ISO selector on S8 code )

**D 4 9**

Lock the computer using the XR25

**G 8 0 \***

and command

- When this function is activated, all the trigger lines are inhibited, the airbag warning light on the instrument panel and bargraph 14 LH side on the XR25 illuminate.
- **Wait for 2 seconds** for the unit to discharge automatically.
- Turn the ignition off.

**Protecting the passenger compartment:**

- carpet, seats and dashboard cloth trim.
- use "W" tape, apply to the deflector pillars, the centre pillars and front pillars where the tools will be fitted.

Move the front seats as far back as possible and put them into the fully reclined position. Protect the seats.

Disconnecting the fuse box.

Remove the front right hand door sill (6 self tapping screws).

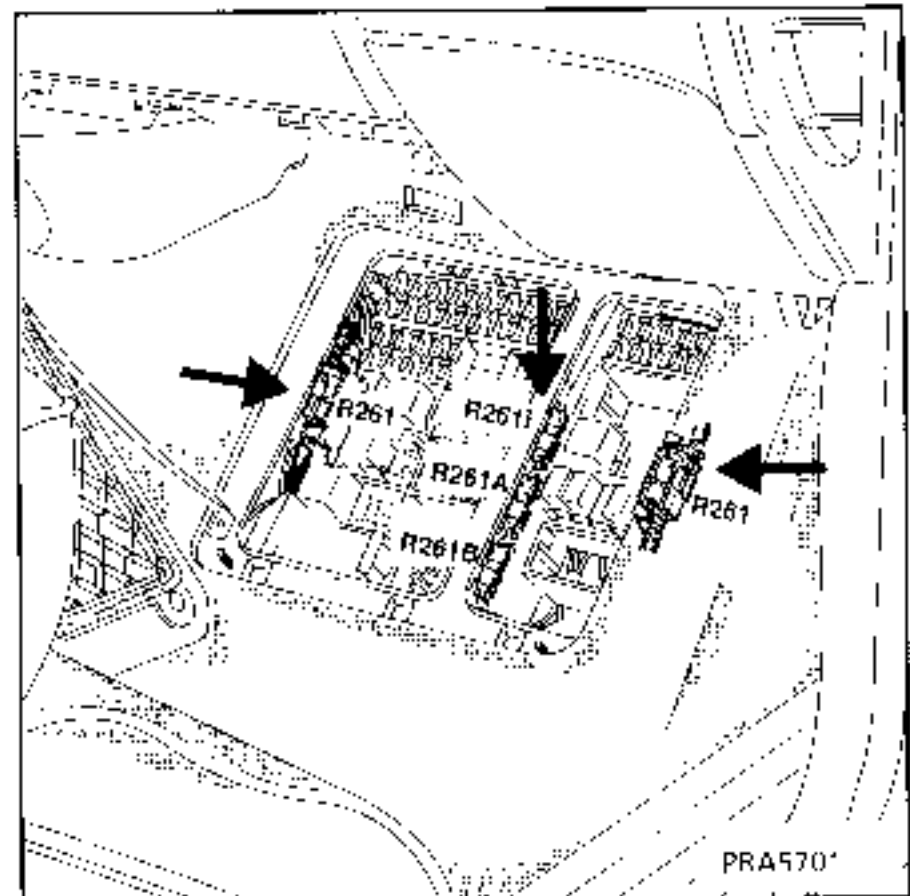
Open the cover for the fuse and relay box.

Release the carpet and the soundproofing on the passenger foot rest and lift it up towards the driver's side.

Remove:

- the 3 upper mounting nuts for the fuse and relay box surround plate,
- the 3 lower mounting bolts.

Lift the channel and remove the surround plate.

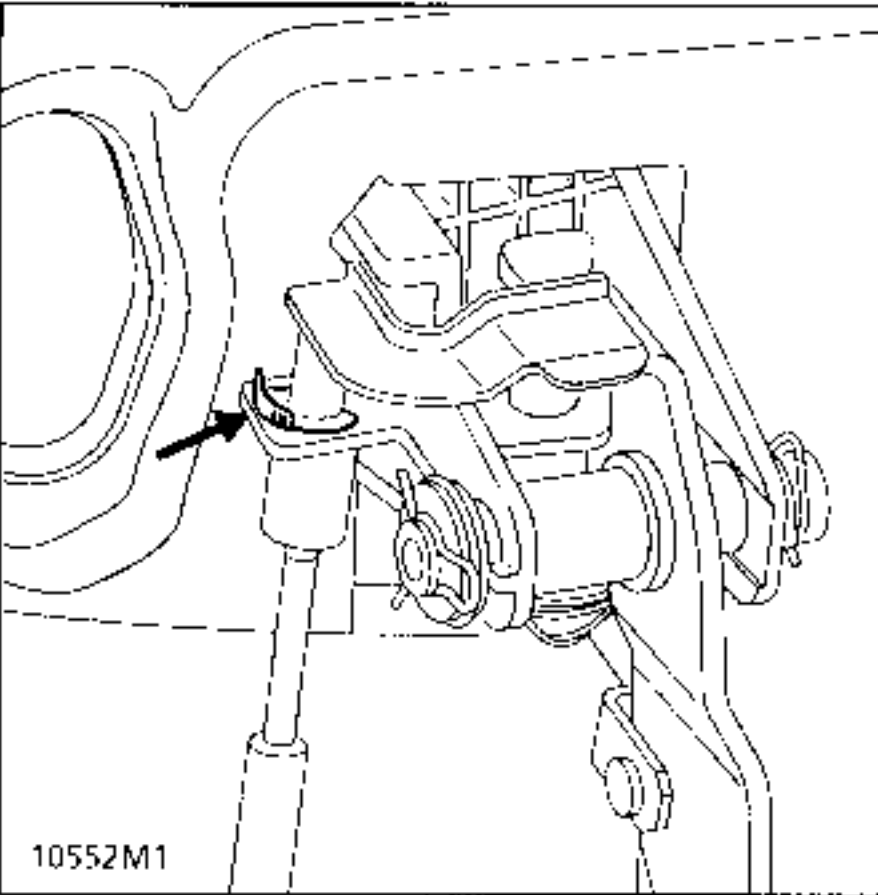


Disconnect the 5 connectors for the unit.

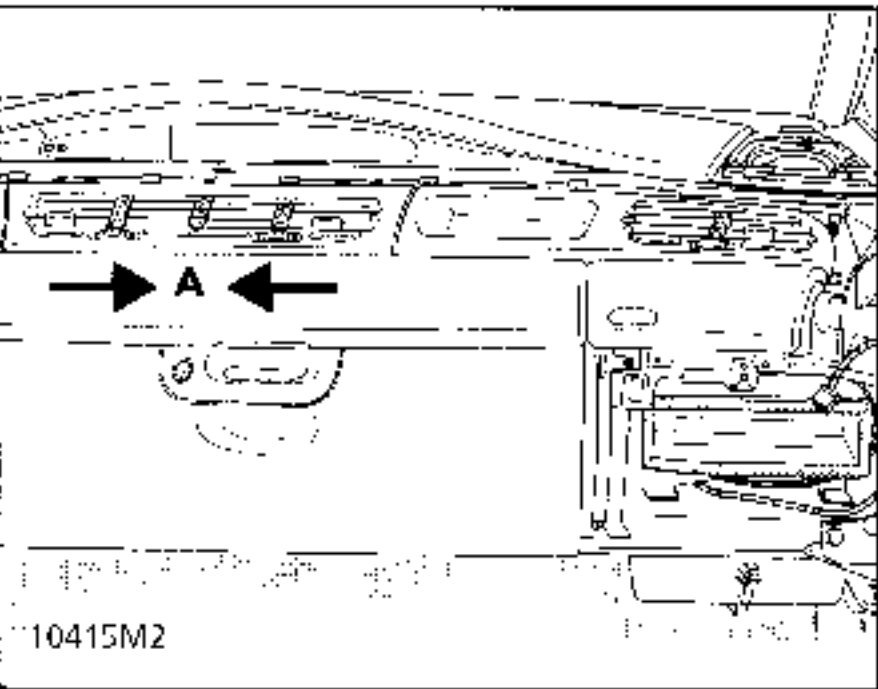
Replace the panel and the carpet to protect the fuse box.

Disconnect the brake safety lock for the automatic transmission (if fitted).

Remove the rubber fork and remove the lock.



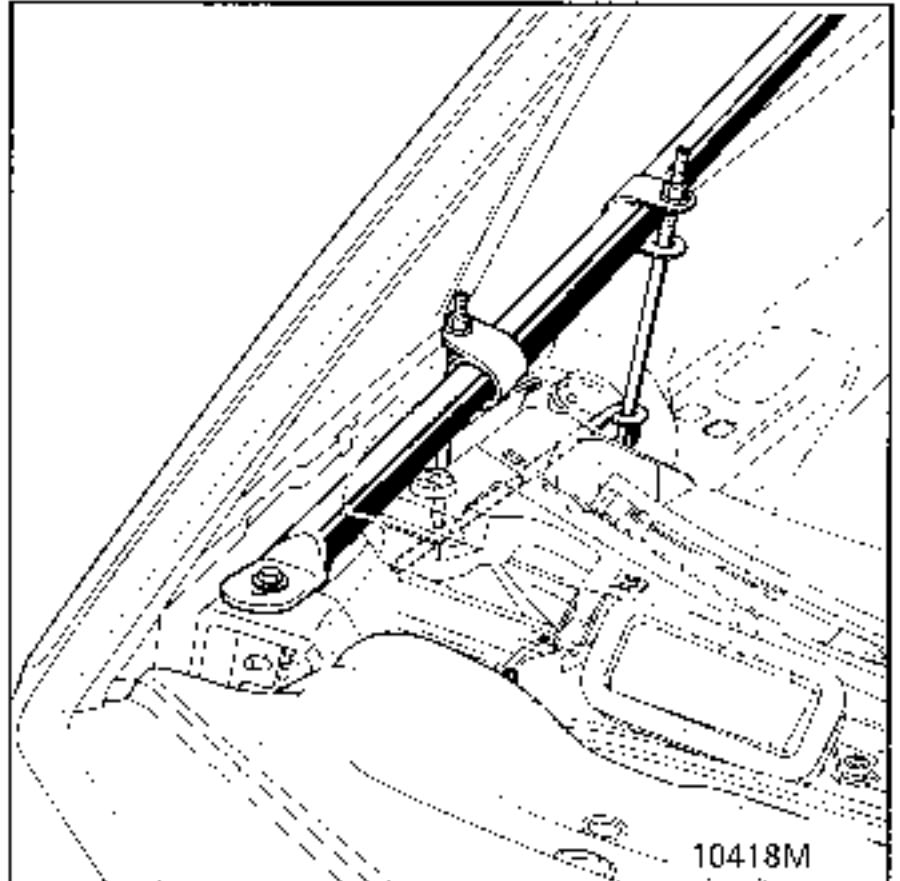
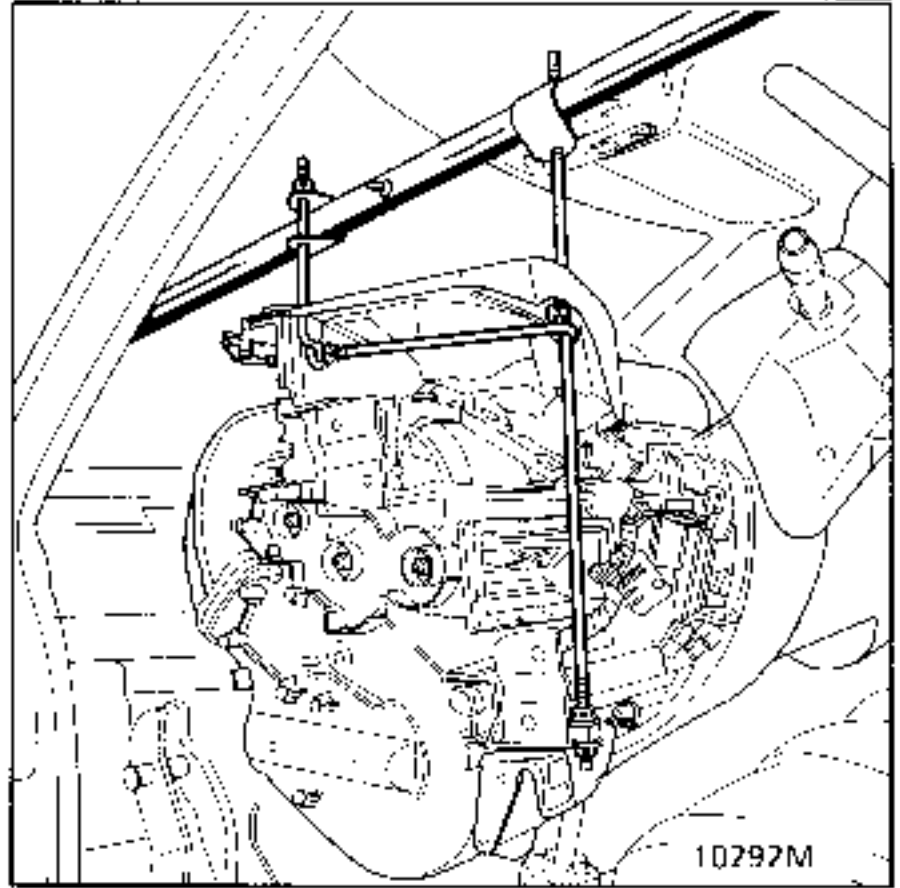
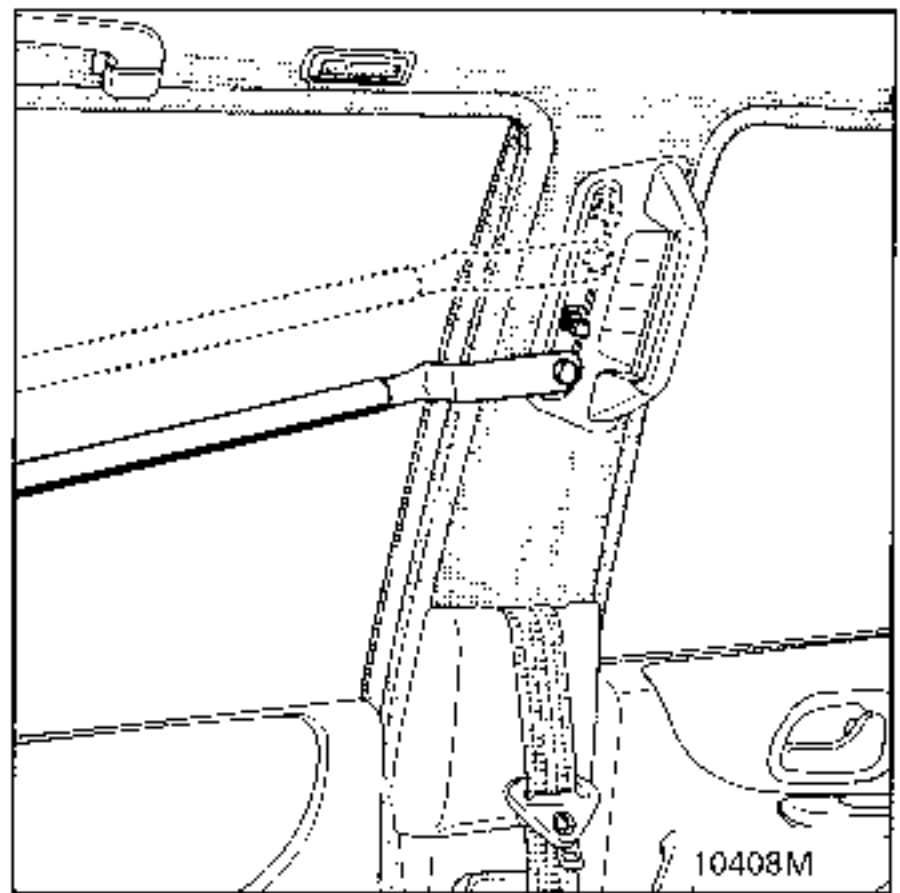
To avoid damage to the 2 centre vent flaps, set the control to the "Closed" position (A)



**OPERATING PRINCIPLE FOR Car. 1393**

Two parallel extending bars are fitted between the front bearing turrets and the seat belt height adjusting mechanisms.

Four adjustable tie rods suspend the dashboard - cross member - ventilation assembly (40 Kg) from the bars using 2 sliding sleeves.



## OPERATION

### Preparation in the engine compartment

#### Disconnecting the cooling circuit (see section 19) :

Without draining the circuit, disconnect the lower quick release union then the upper union on each heater matrix by pressing the two locking mechanisms and pulling the hoses (about one glassfull of fluid will run out).

Remove the 2 nuts from each flange.

Retain the soundproofing seal on the left hand side.

Shunt the heater matrix inlets and outlets using a piece of hose or plug the hoses.

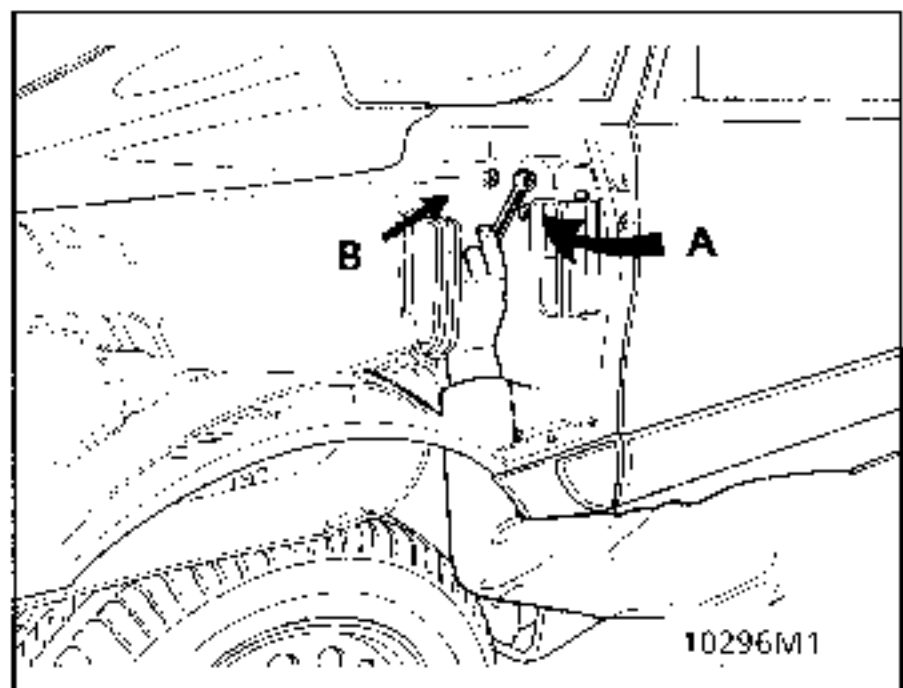
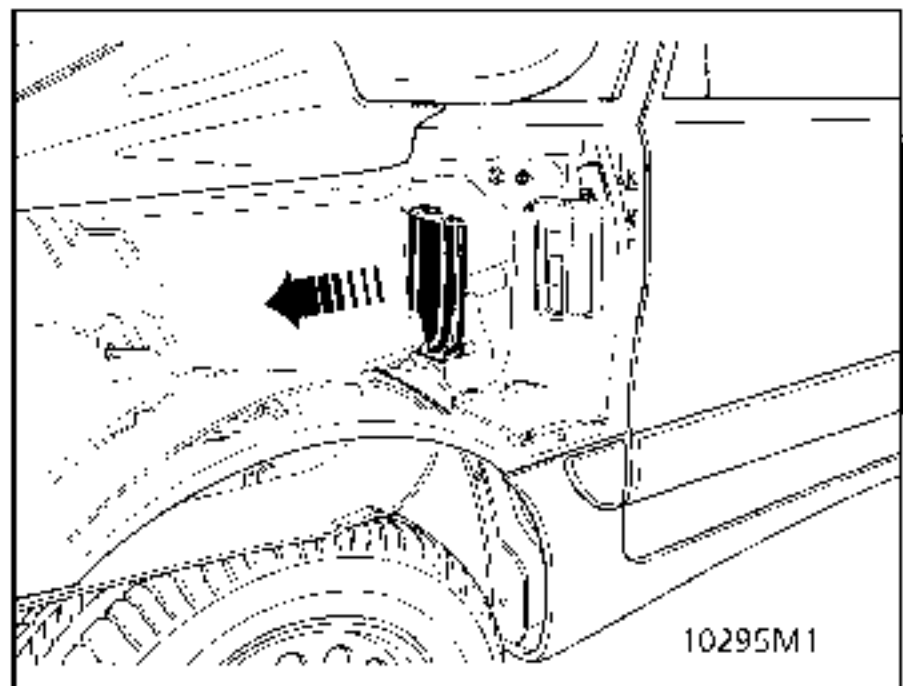
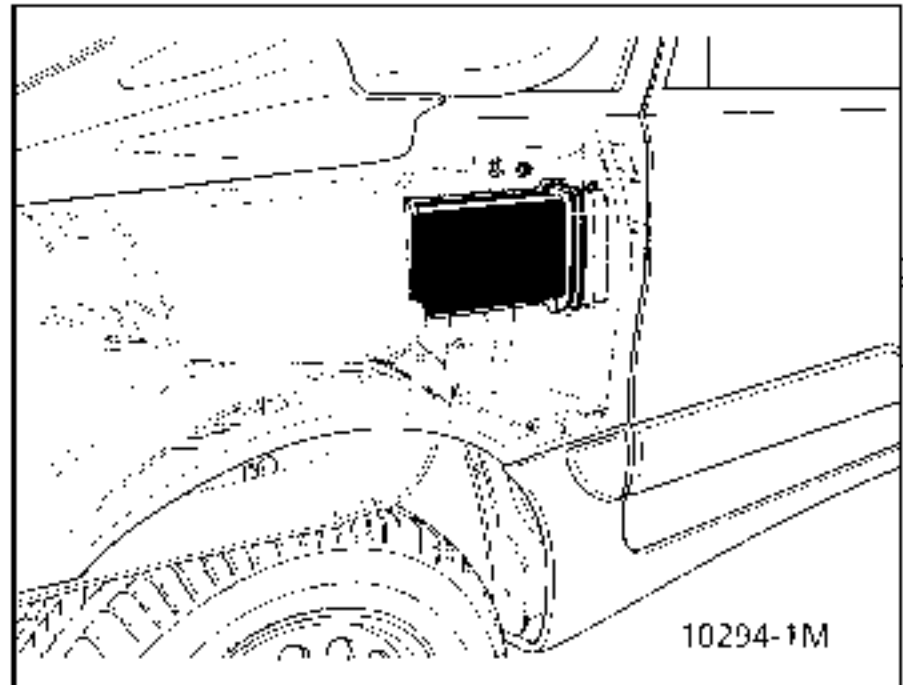
On the G8T A/C version, the right hand heater matrix unions cannot be reached by hand. Use tool **Mot. 1395** (see section 19).

**Preparation in the wheel arches**

**Dashboard ladder mountings:**

Partially remove the mudguards (3 rivets to shear on each side).

Release and push back these pipes into the air units.



On each side remove the two M8 mounting nuts (A) without touching the adjusting nuts (B).

**Preparation in the passenger compartment**

Protect:

- carpet, seats and dashboard cloth trim.
- use "W" tape, apply to the deflector pillars, the centre pillars and front pillars where the tools will be fitted.

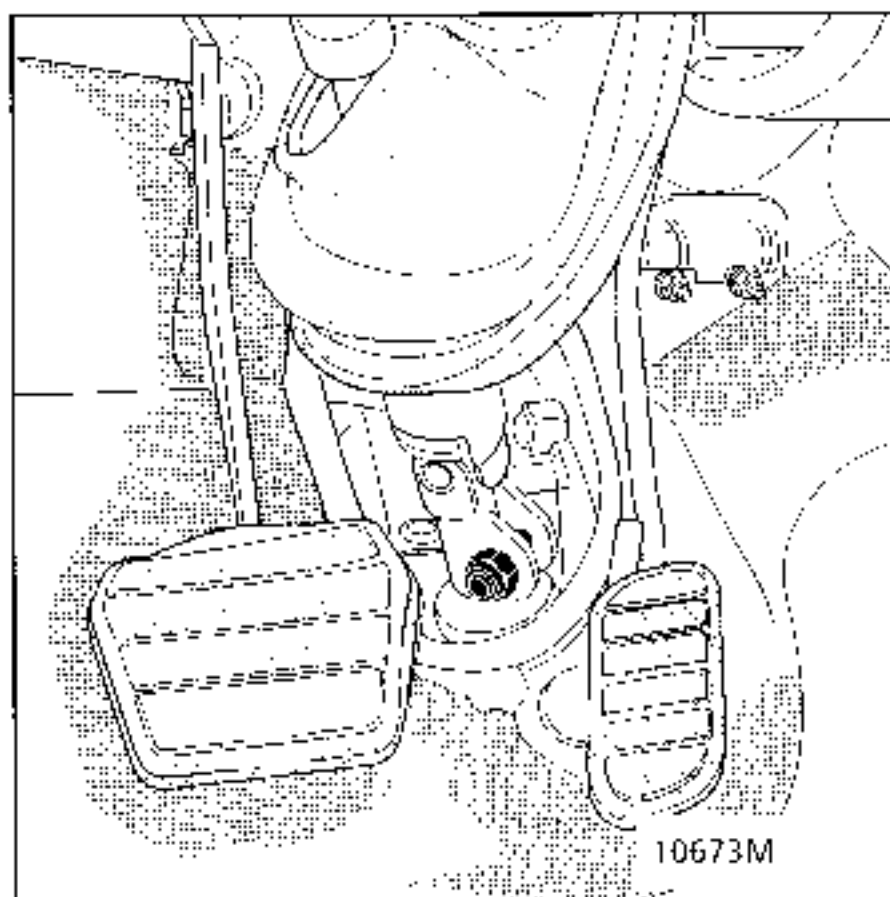
Move the front seats as far back as possible and put them into the fully reclined position.

**STEERING COLUMN UNIVERSAL JOINT**

Release the steering column "sleeve".

Via the opening in the pedal mounting, slacken the key bolt for the steering column universal joint.

Turn the steering wheel to the right to release the key bolt, lock the ignition switch.

**IMPORTANT**

In order to avoid any risk of damage to the airbag rotary switch under the steering wheel, the following instructions must be observed:

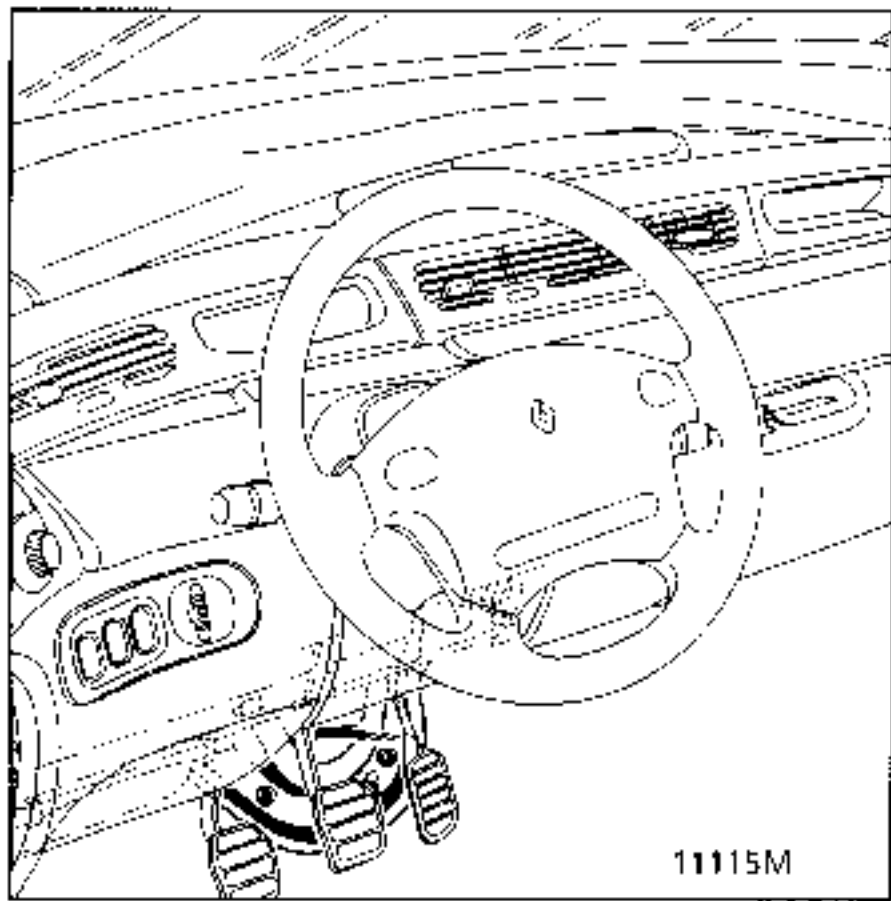
Immediately after releasing the steering column, the steering wheel must be immobilised using the ignition switch for the complete duration of the operation.

If there is any doubt about the correct centring of the airbag rotary switch, the steering wheel must be removed to apply the centring method described in section 88 AIRBAG.



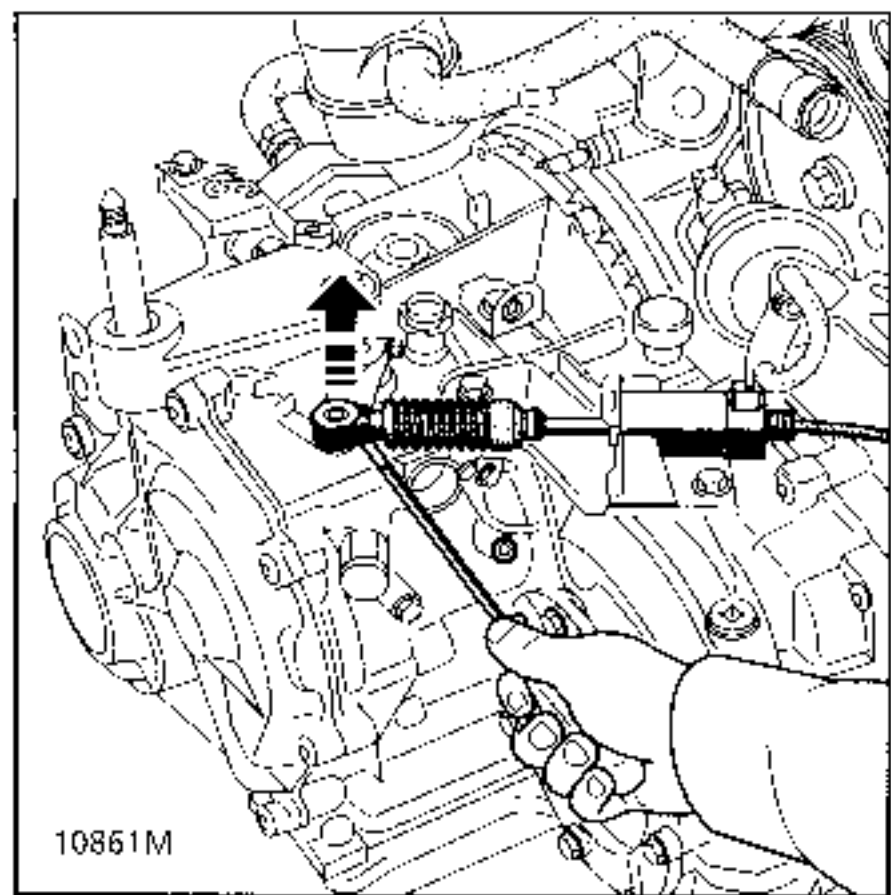
**AUTOMATIC TRANSMISSION CONTROL**

Via the opening in the pedal mounting:

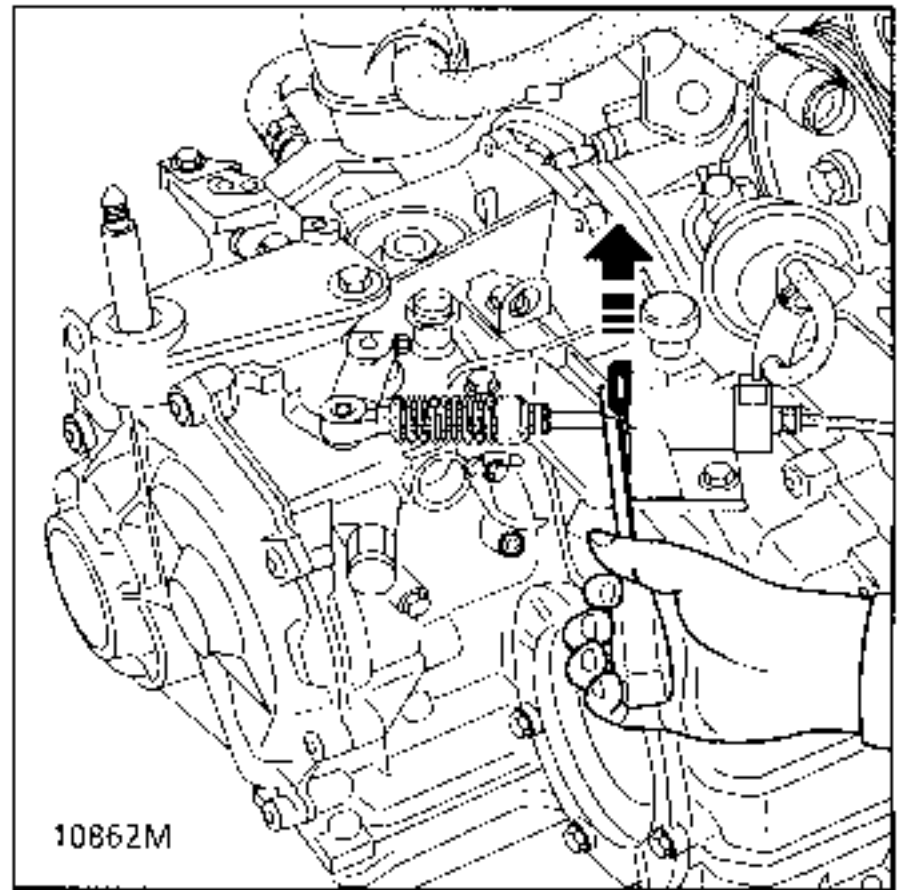


Unclip the ball joint on the AT side,

Attach a piece of string to the end of the cable.

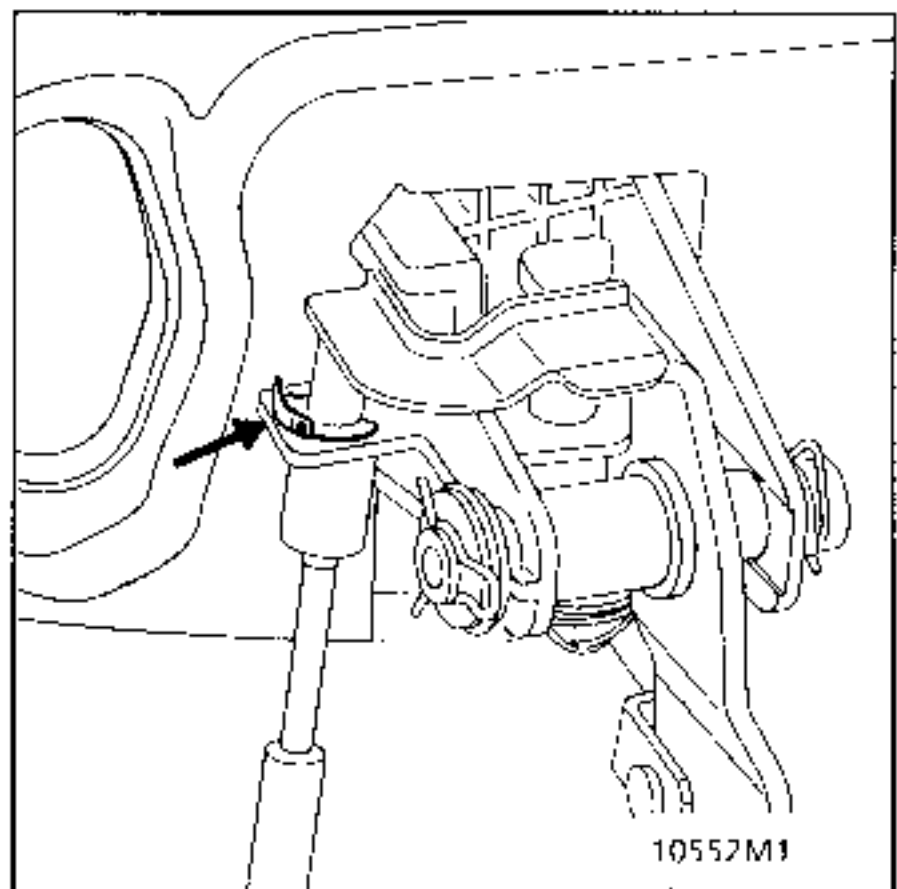


Unclip the cable sleeve stop using a short screwdriver  
Release the cable sleeve stop.



Push the cable guide from the bulkhead back towards the passenger compartment.

Check that the gear changing safety mechanism is unclipped from the pedal mounting.



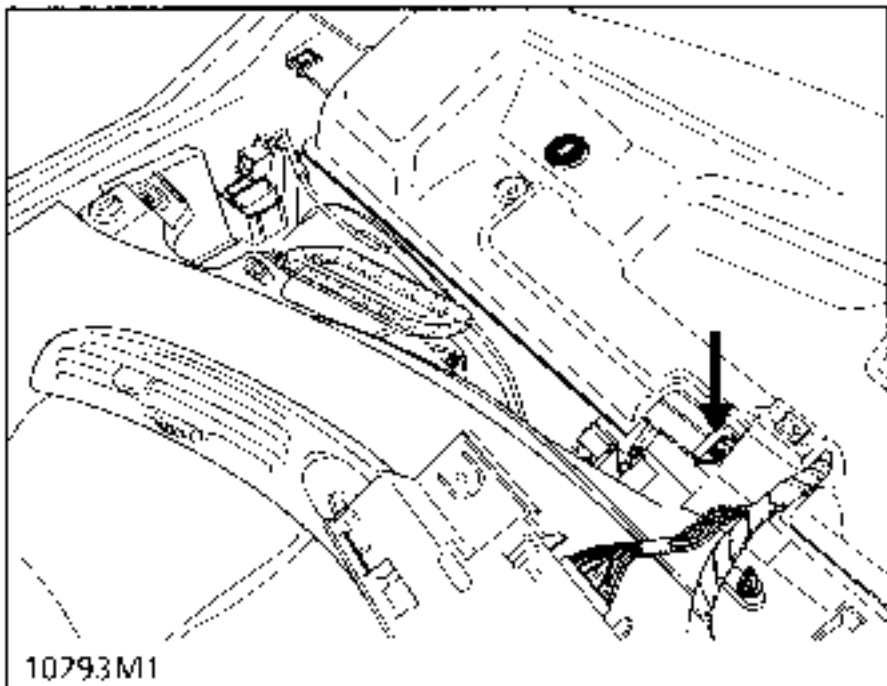
**IMPORTANT:**

If this safety mechanism is forgotten, the pedal mounting eye may be broken.

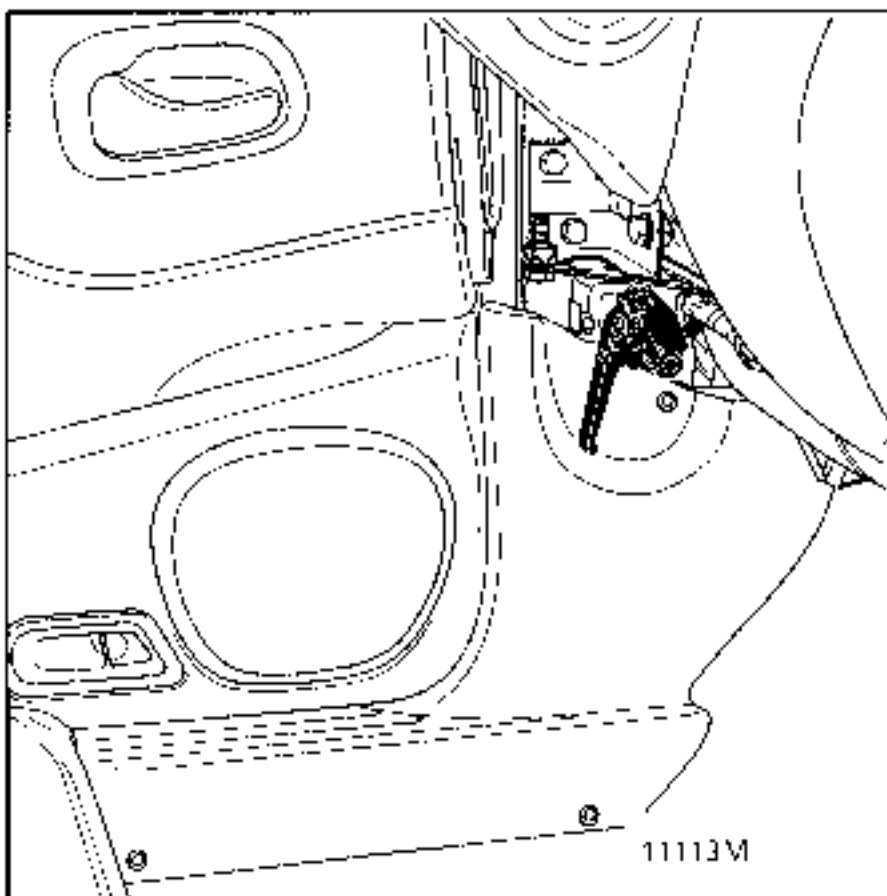
Preparation in the passenger compartment (cont)

Remove:

- the upper part of the dashboard,
- the display unit,
- the 2 front mountings for the dashboard strip.

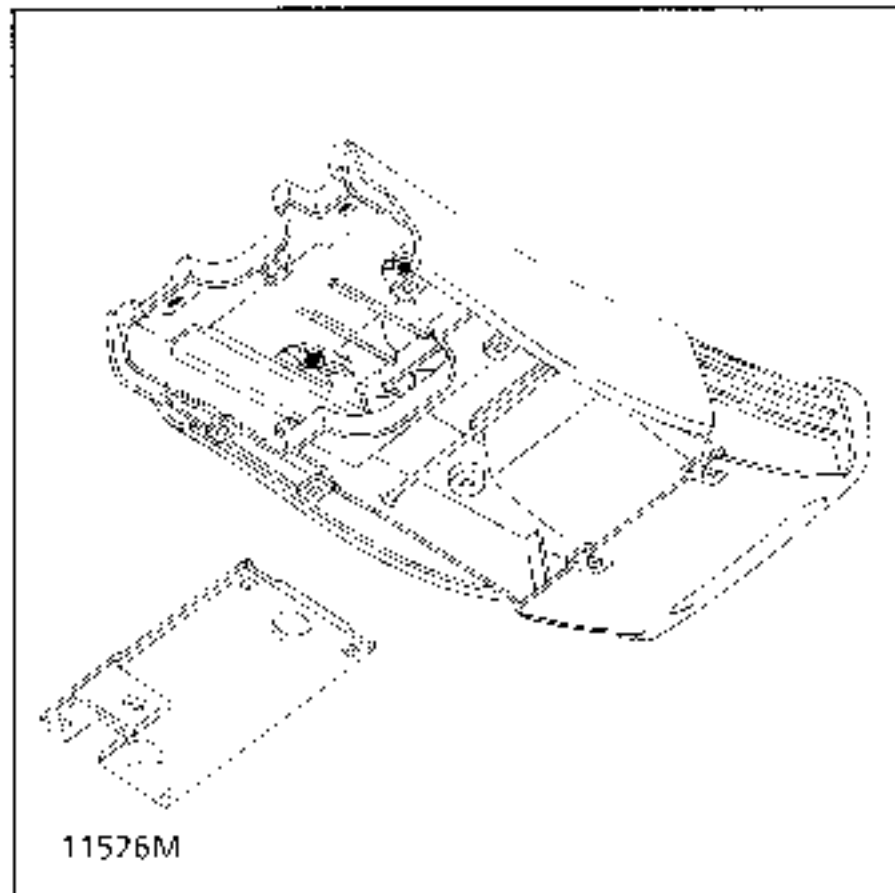


- the 2 side consoles - 2 x 4 bolts, and disconnect them,
- the bonnet release handle (2 bolts).

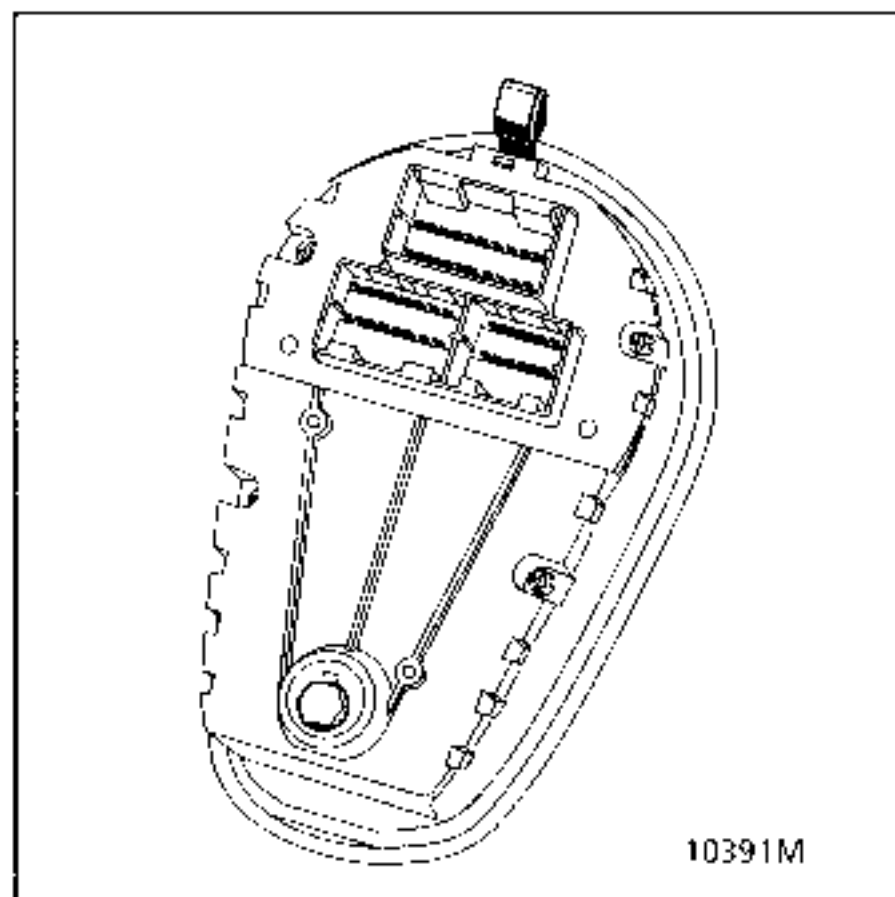


Remove :

- the ashtray,
- the clipped plate,
- the 4 bolts and disconnect the ashtray.

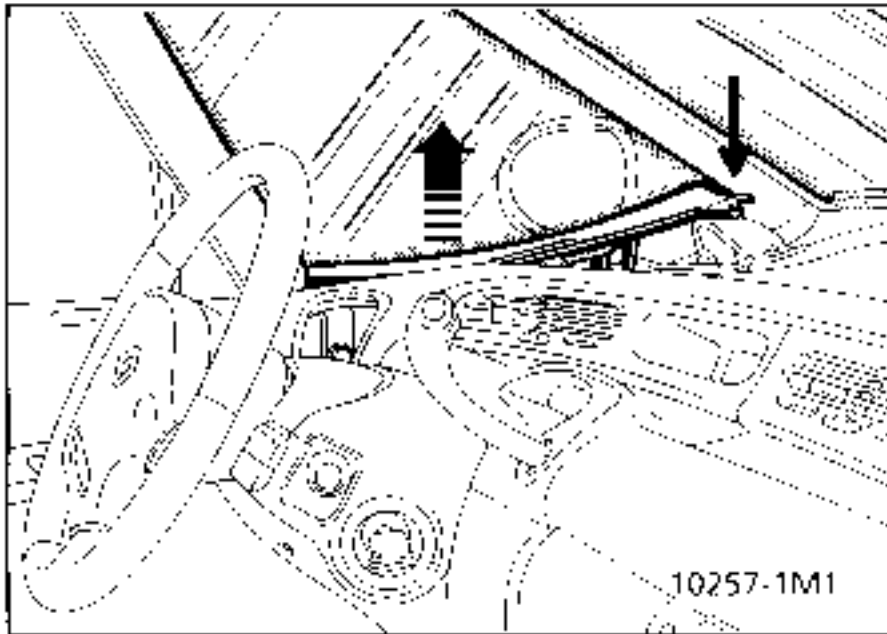


Remove and disconnect the heating and ventilation controls ( 2 hexagonal bolts, 8 ).

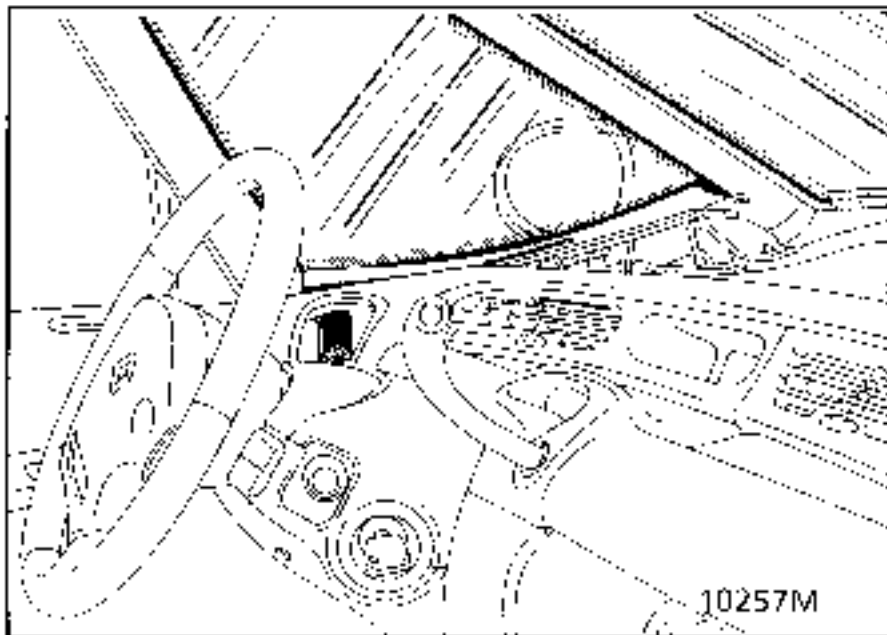


Unclip and remove the cloth strip ( 10 clips).

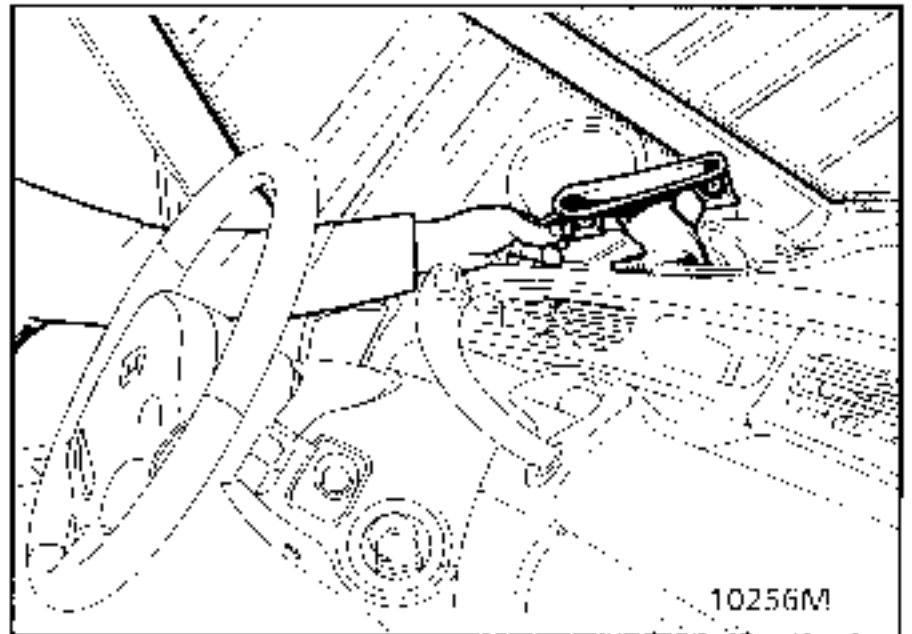
Remove the deflector demisting vents (1 bolt and 3 metal clips on each side), pulling upwards.



Slacken the 2 side mountings for the dashboard strip and release the 2 brackets.

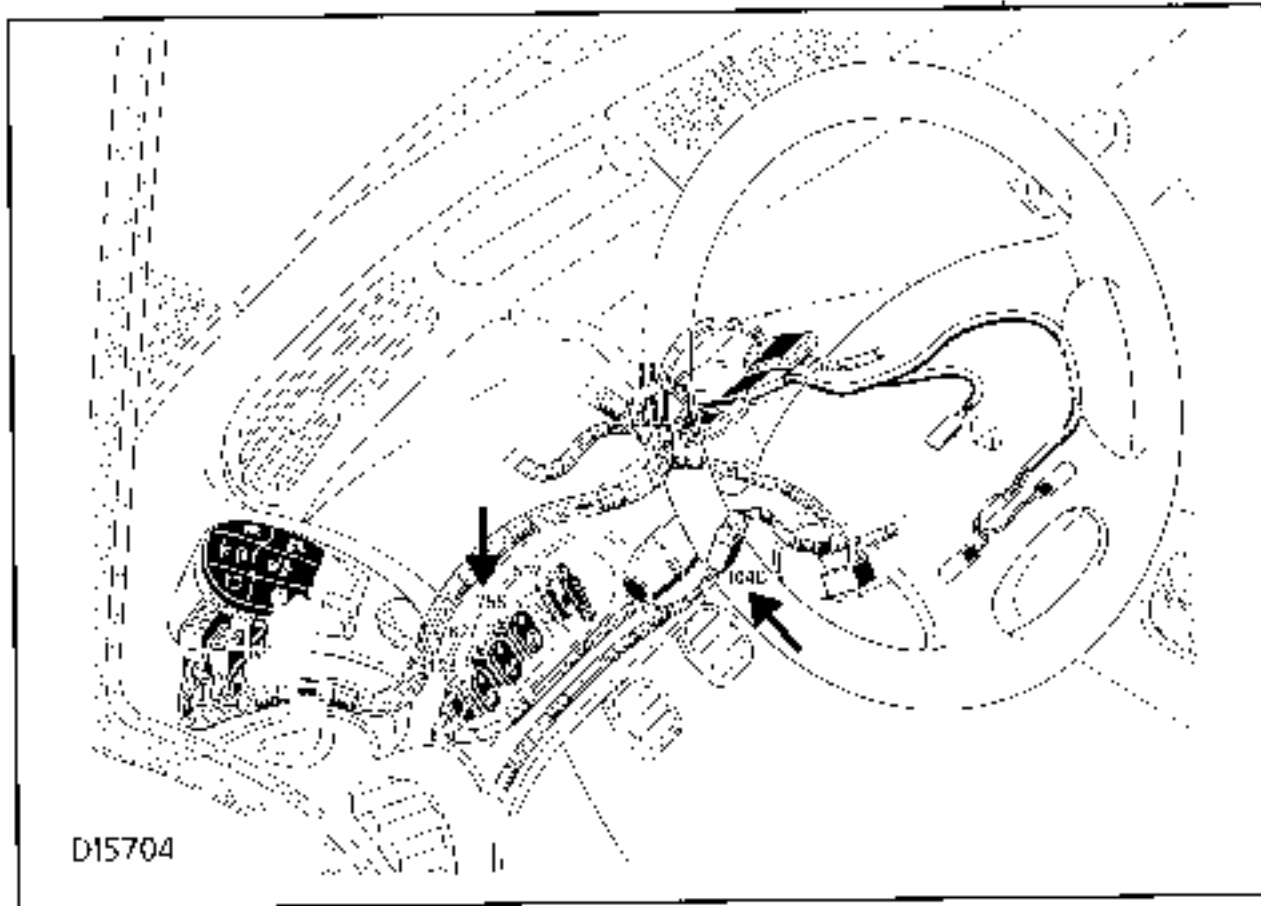


Release the demisting T pieces (2 metal clips) and remove them towards the front.



Disconnect the 2 air ducts from the fan unit.

ELECTRICAL DISCONNECTIONS



Driver's lower console switches wiring loom 128 - 627 755 - 562.

Ignition switch wiring loom 104 B.

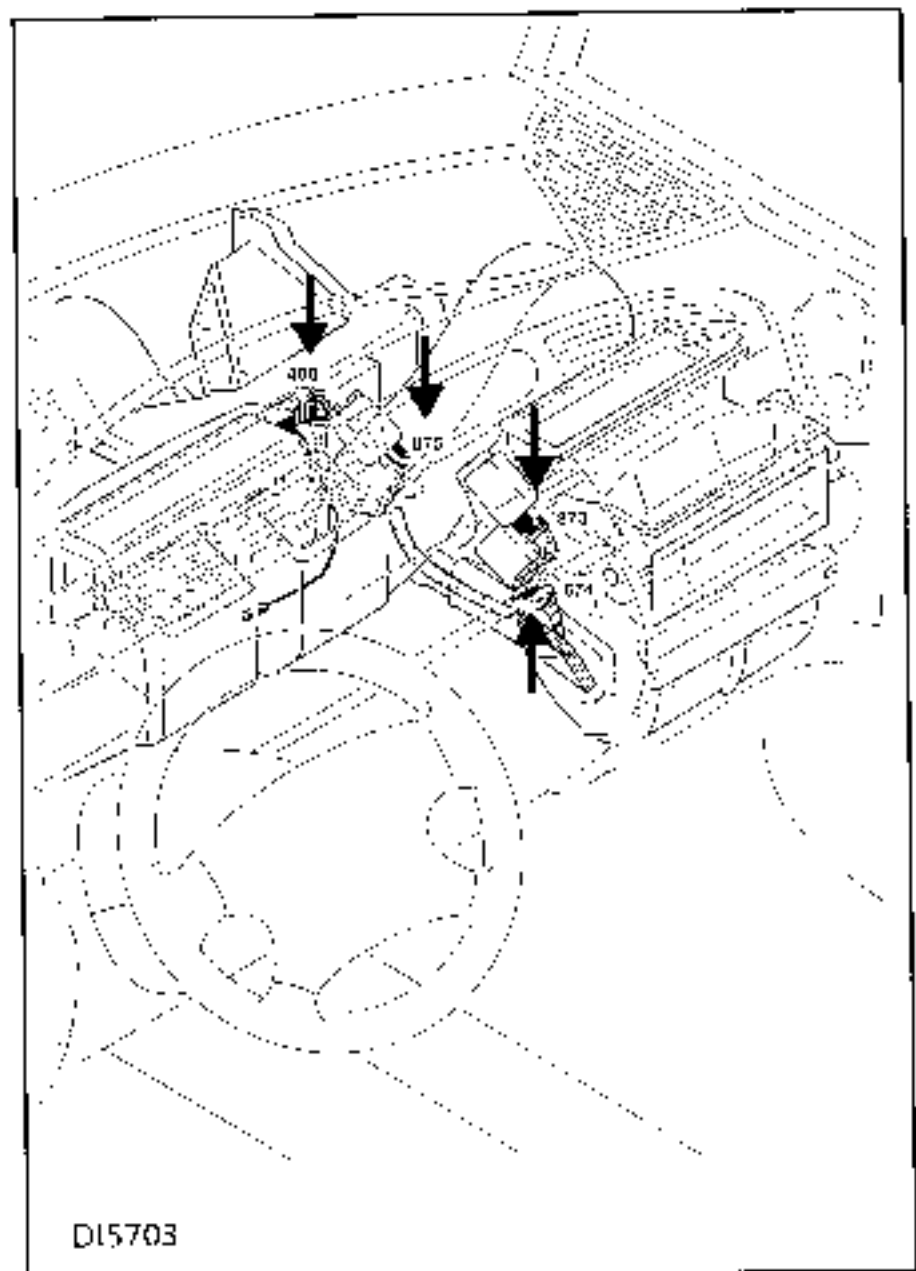
Evaporator sensor connector 408.

Recycling flap motor connector 875.

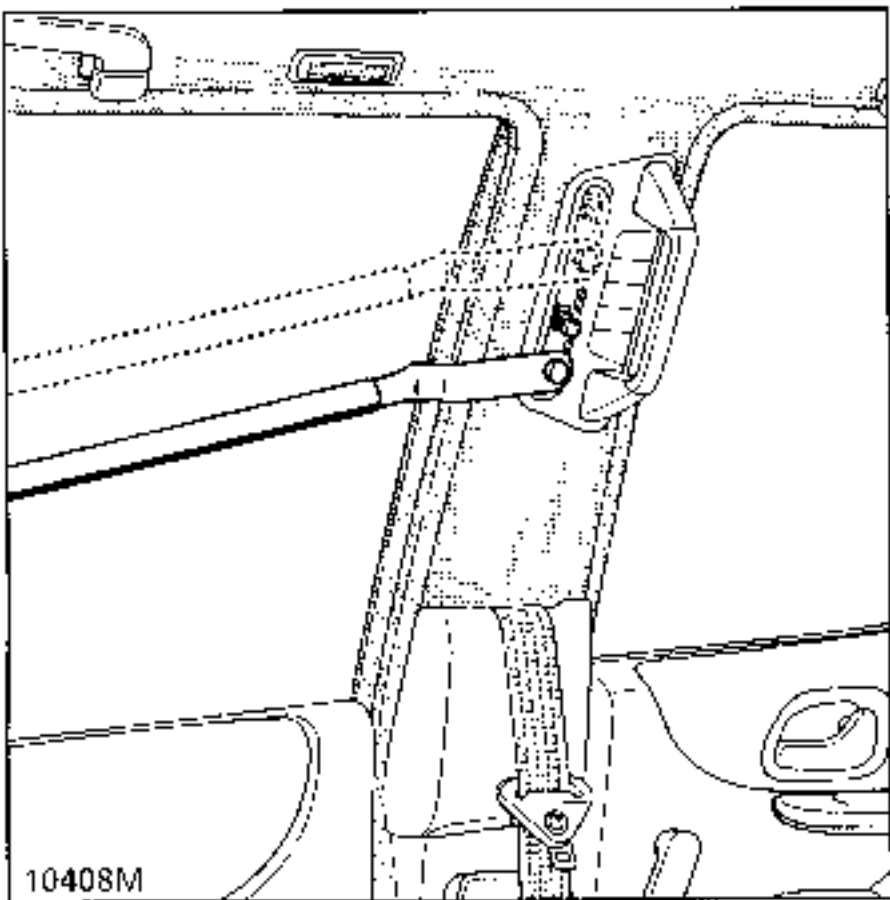
Distribution flap motor connectors 873 - RH and LH sides.

Mixing flap motor connectors 874 RH and LH sides.

Ensure each connector is correctly noted for reference.



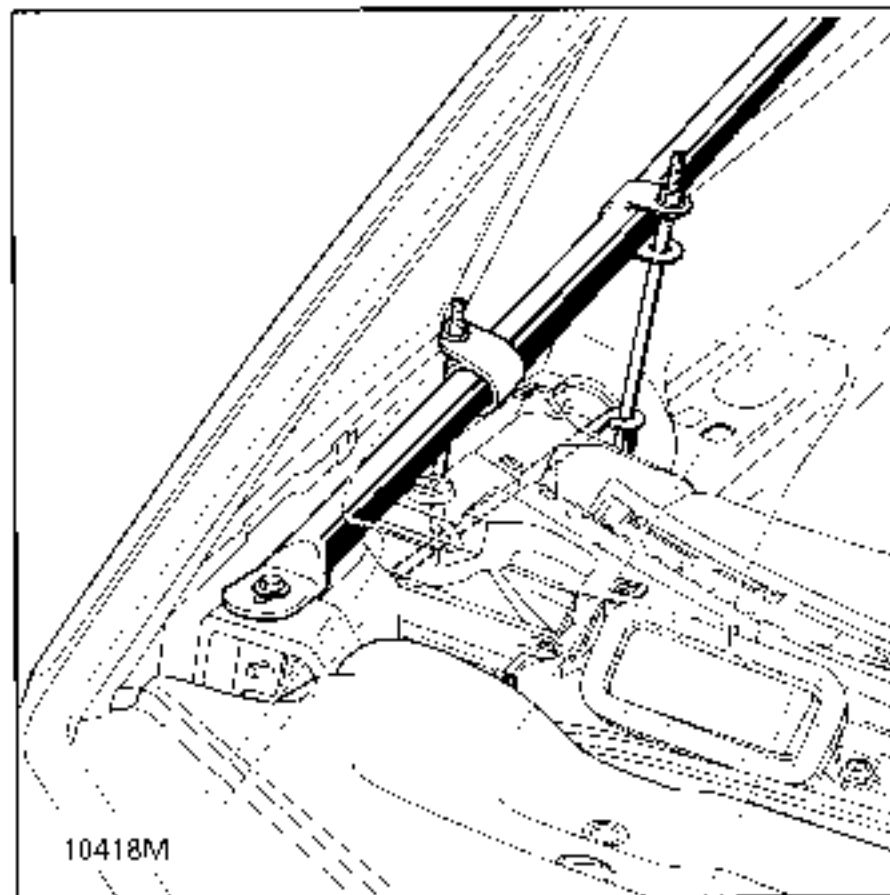
FITTING TOOL Car.1393



Adjust the front seat belts to the lowest position possible.

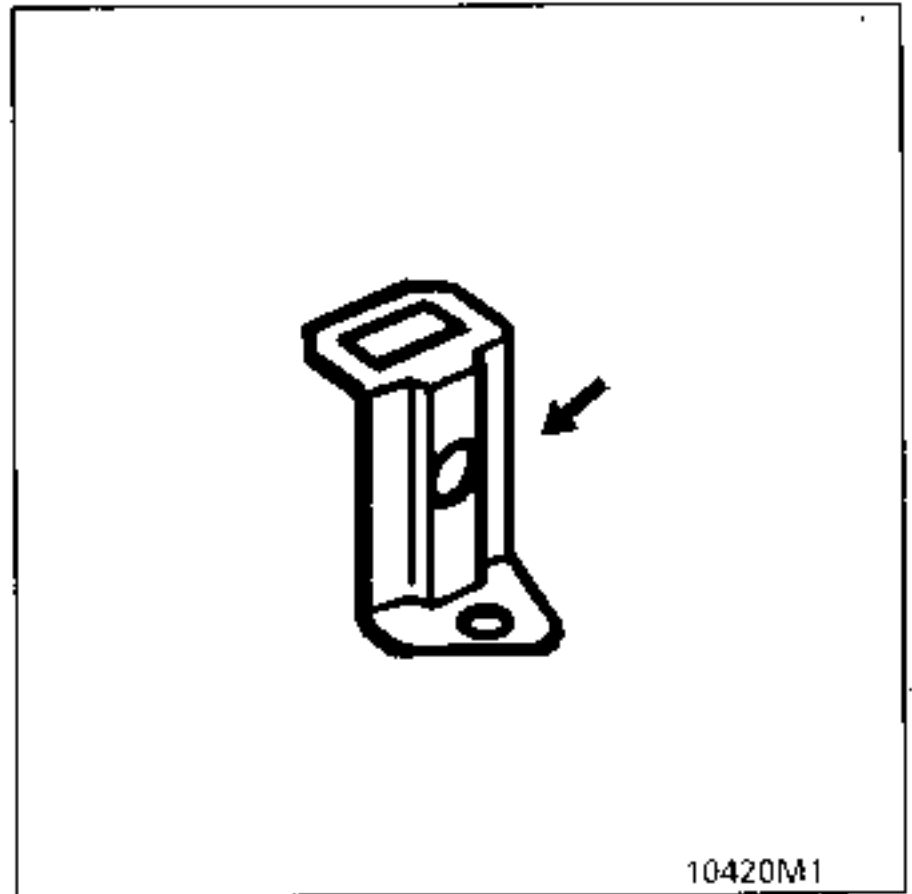
Remove the upper seat belt mountings.

Fit the bars to the threaded rests on the windscreen pillar and secure them in place of the seat belts.



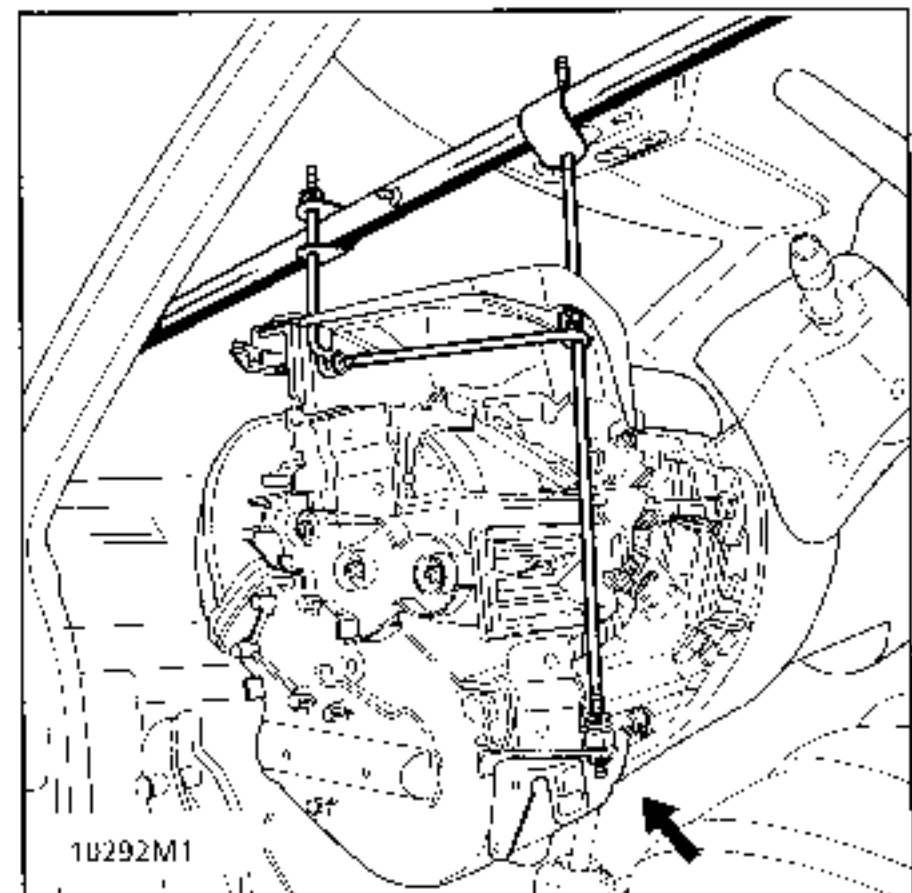
Attach:

- the 2 front hangers in the holes provided in the dashboard strip mounting,



- the 2 rear hangers in the place of the lower mounting bolts for the ladder on the brackets.

Tighten the four hangers by tightening the nuts until there is no play.



**REMOVING THE DASHBOARD USING TOOL Car.1393**

Two people are required for this operation.

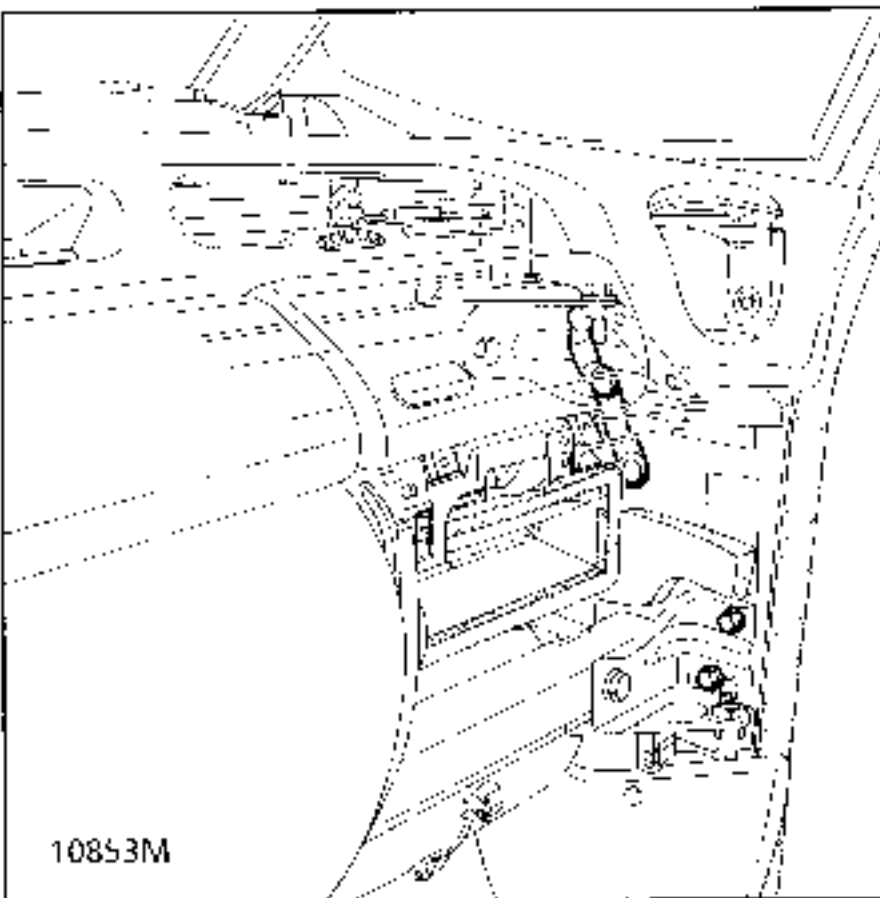
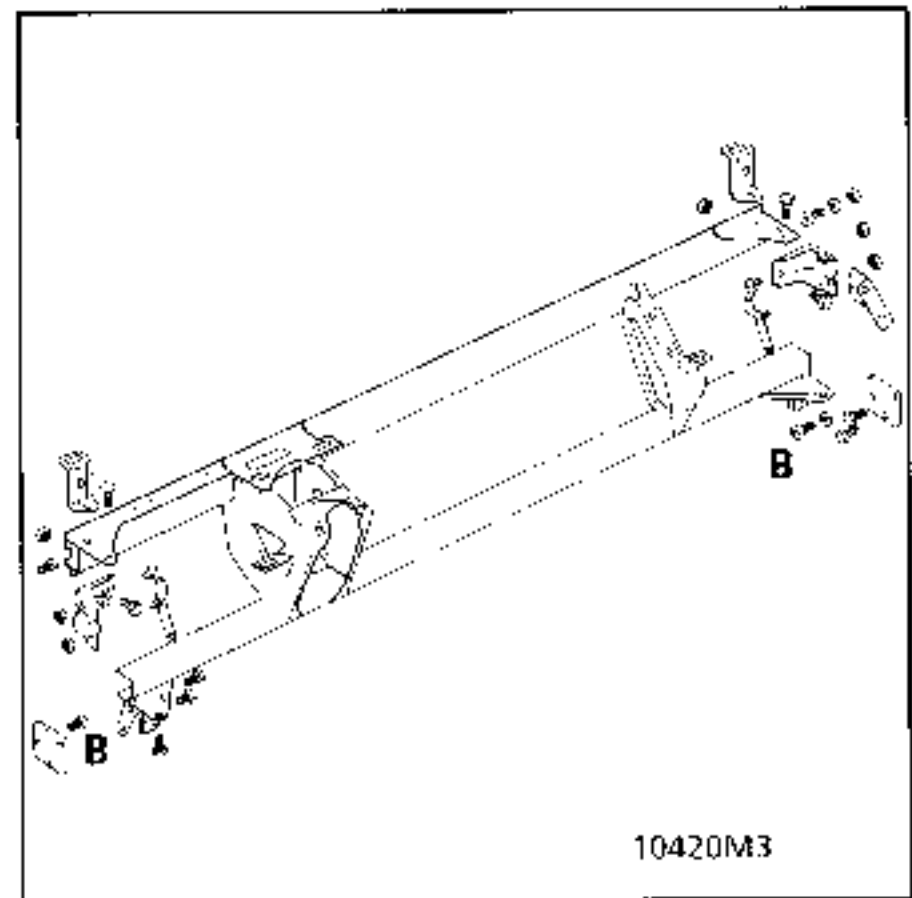
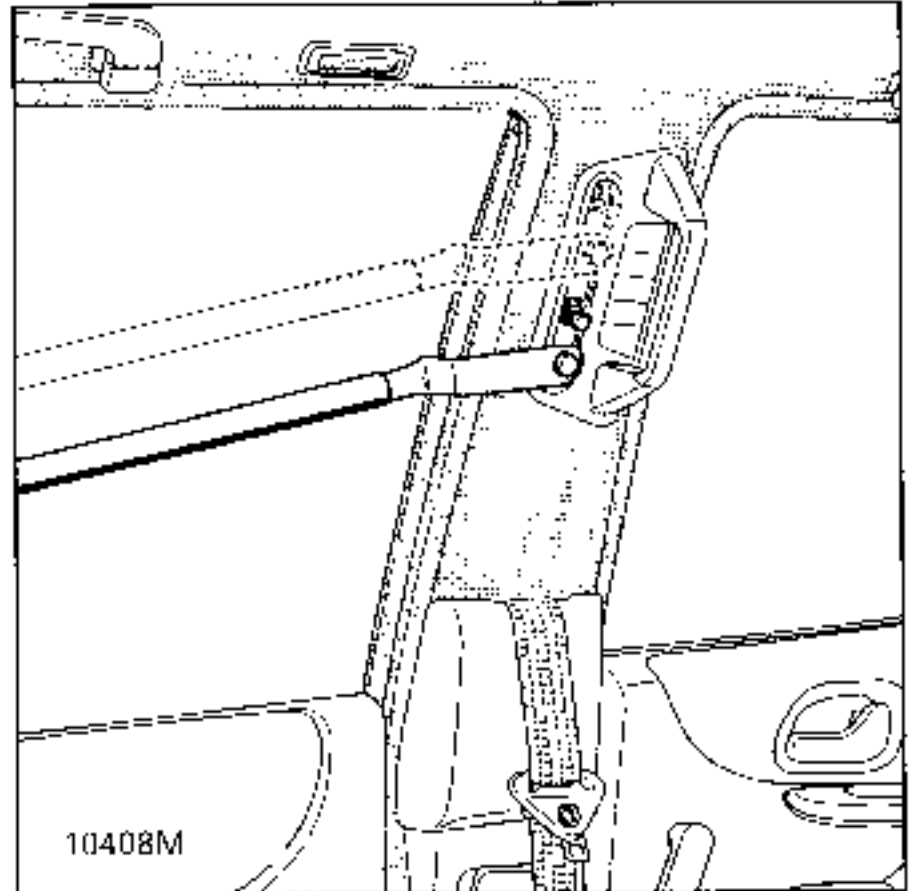
**IMPORTANT:**

Check that the centre vents are closed to avoid damaging the flaps.

Check that the AT control lock is disconnected from the pedal mounting to avoid breaking the pedal mounting.

Slacken the two lower mounting brackets for the ladder ( 2 bolts x 2).

Remove the 2 upper mounting plates, extracting each clip using a screwdriver.



Release the dashboard from the four pins (B) lifting the 2 front seat belt adjusters as high as possible.

**IMPORTANT:**

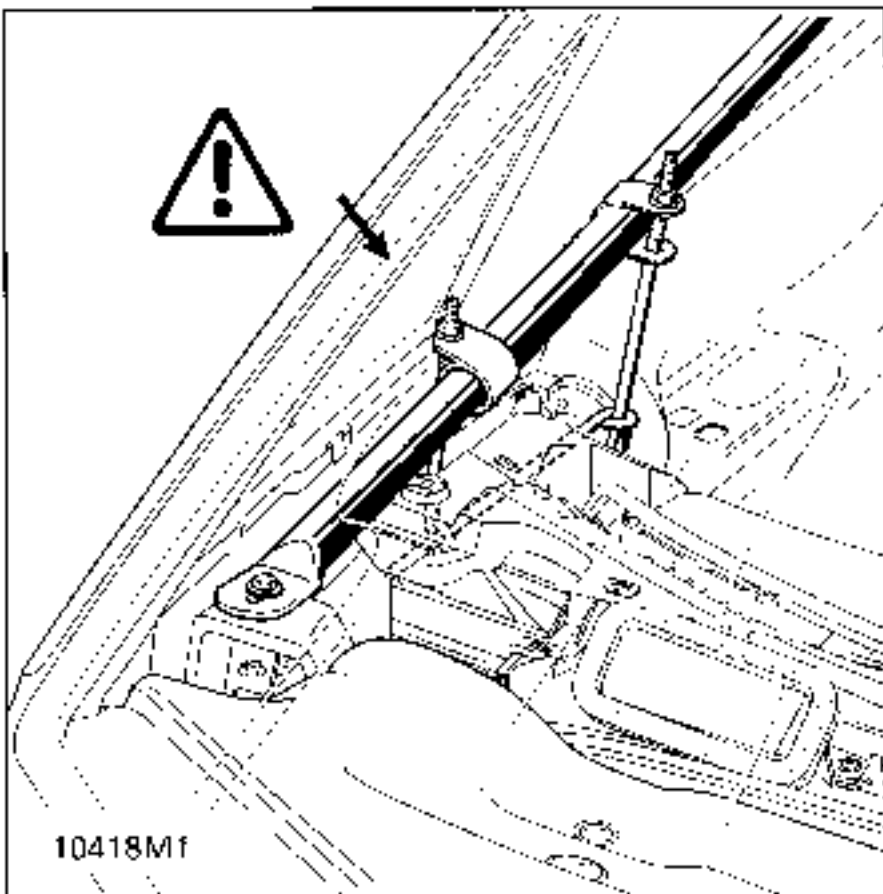
Do not fully close the doors.  
The trim and ventilation units will be in the way.

Move the dashboard back as far as the safety pin:

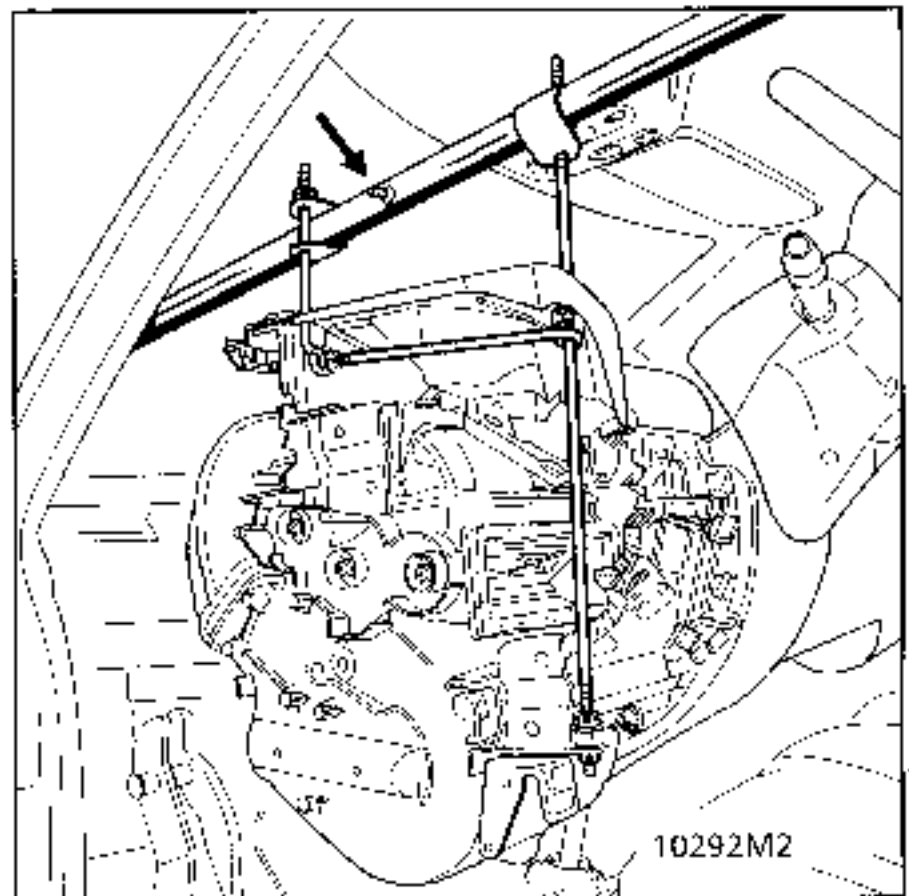
2 people pulling parallel to the assembly,

- guiding the AT cable (depending on version)
- checking that the heater matrix end pieces are not damaged,
- moving the bonnet release to one side,

taking care when moving the tool Car.1393 past the deflector pillars.



Pin each side.



**IMPORTANT:**

Do not fully close the doors.

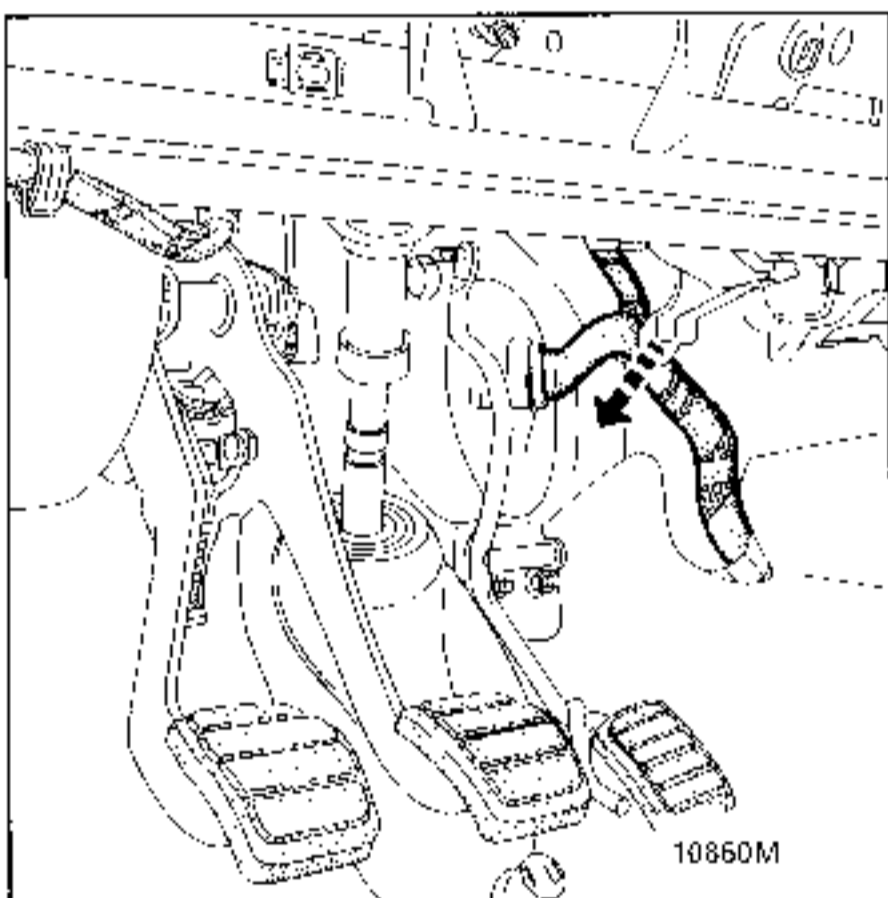
The trim and ventilation units will be in the way.

## REFITTING

## Special notes:

Using two people, one either side of the vehicle, slide the dashboard assembly on tool Car. 1393 taking care when passing:

- the heater matrix end pieces past the bulkhead then the automatic transmission control cable,
- the steering column universal joint between the pedals and across the pedal mounting,
- the wiring.



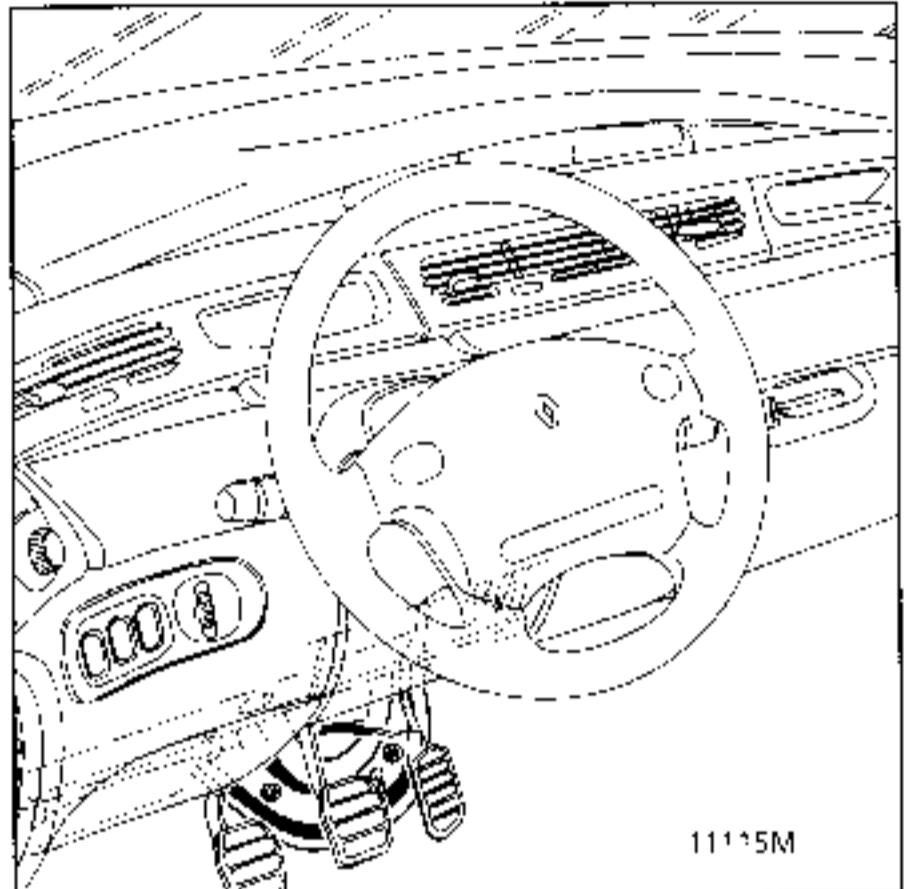
Continue to slide the dashboard assembly as far as the centring stops.

Lower the seat belt adjusters, the dashboard will return automatically to its original location on the centring devices.

Tighten the mountings (4 bolts on the lower brackets to 2.5m.DaN and 4 nuts for the upper brackets in the wheel arches to "Mécano" torque).

Remove tool Car. 1393.

Reconnect the AT cable ball joint and the cable sleeve stop inside the vehicle via the steering column opening.



Check the automatic transmission selector lever (depending on equipment), if necessary adjust the sliding cable sleeve stop.  
Refer to § 37



### PASSENGER COMPARTMENT CONNECTION UNIT

Remove the foot rest panel.

Reconnect the 5 connectors.

Refit the foot rest panel (3 nuts and 3 bolts).

Bond the footwell soundproofing back into position.

Refit the door sill, refit the cover.

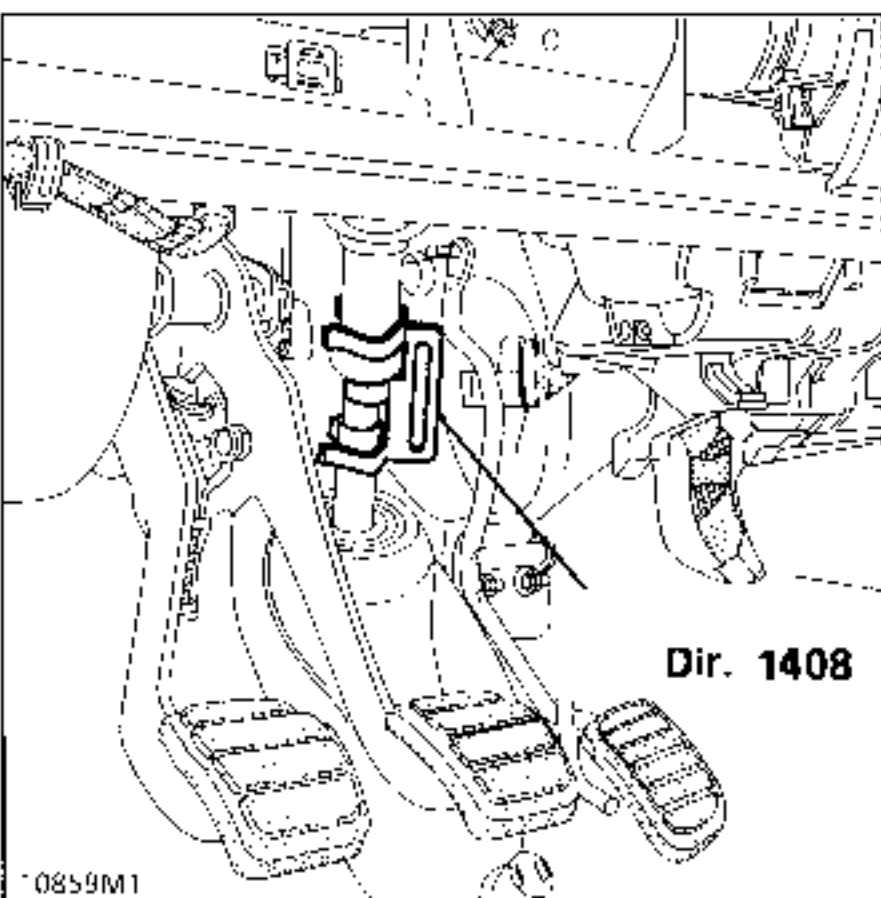
### STEERING COLUMN UNIVERSAL JOINT

#### IMPORTANT:

Reconnect the steering column universal joint with the wheels straight and the steering wheel locked by the ignition switch. It will then be centred.

The lower part of the steering column slides so the position of the universal joint on the steering box will need to be adjusted.

Fit the plastic tool **Dir.1408** to the column.



Tighten the universal joint bolt.

Remove tool **Dir.1408**

Refit the first steering column sleeve, lubricating the edge of the pedal mounting plate then fit the second sleeve and adjust the carpet.

#### IMPORTANT

In order to avoid any risk of damage to the airbag rotary switch under the steering wheel, the following instructions must be observed:

Immediately after releasing the steering column, the steering wheel must be immobilised using the ignition switch for the complete duration of the operation.

If there is any doubt about the correct centring of the airbag rotary switch, the steering wheel must be removed to apply the centring method described in section 88 AIRBAG.

### AIR DUCTS

Fit the air ducts connecting the evaporator / fan unit and the ventilation units, if necessary removing the centre vents to reach the sleeving.

Check:

- the condition of the centre inflating seals and compress them just before refitting the centre vents
- the operation of the centre vent flaps.

Refit the bonnet release control (2 bolts).

RETURNING THE SYSTEM TO OPERATIONAL CONDITION

**COOLANT**

Top up the level.

Bleed the heater matrices and the cooling circuit when static.

Reconnect the battery.

Ensure the heating controls are automatically set (see section 84)

**IMPORTANT:**

When everything has been refitted:

- check using the XR25 that there are no faults on the system.
- if all is correct, unlock the computer using command **G 8 1 \***
- check that bargraph 14 LH side on the XR25 is extinguished.

If the warning light does not operate as described above, refer to the section "Fault finding" and check the system using the XR BAG tool (Elé.1288) or the XR25.

**IMPORTANT:**

If these instructions are not followed the systems may not operate normally and may even be incorrectly triggered.

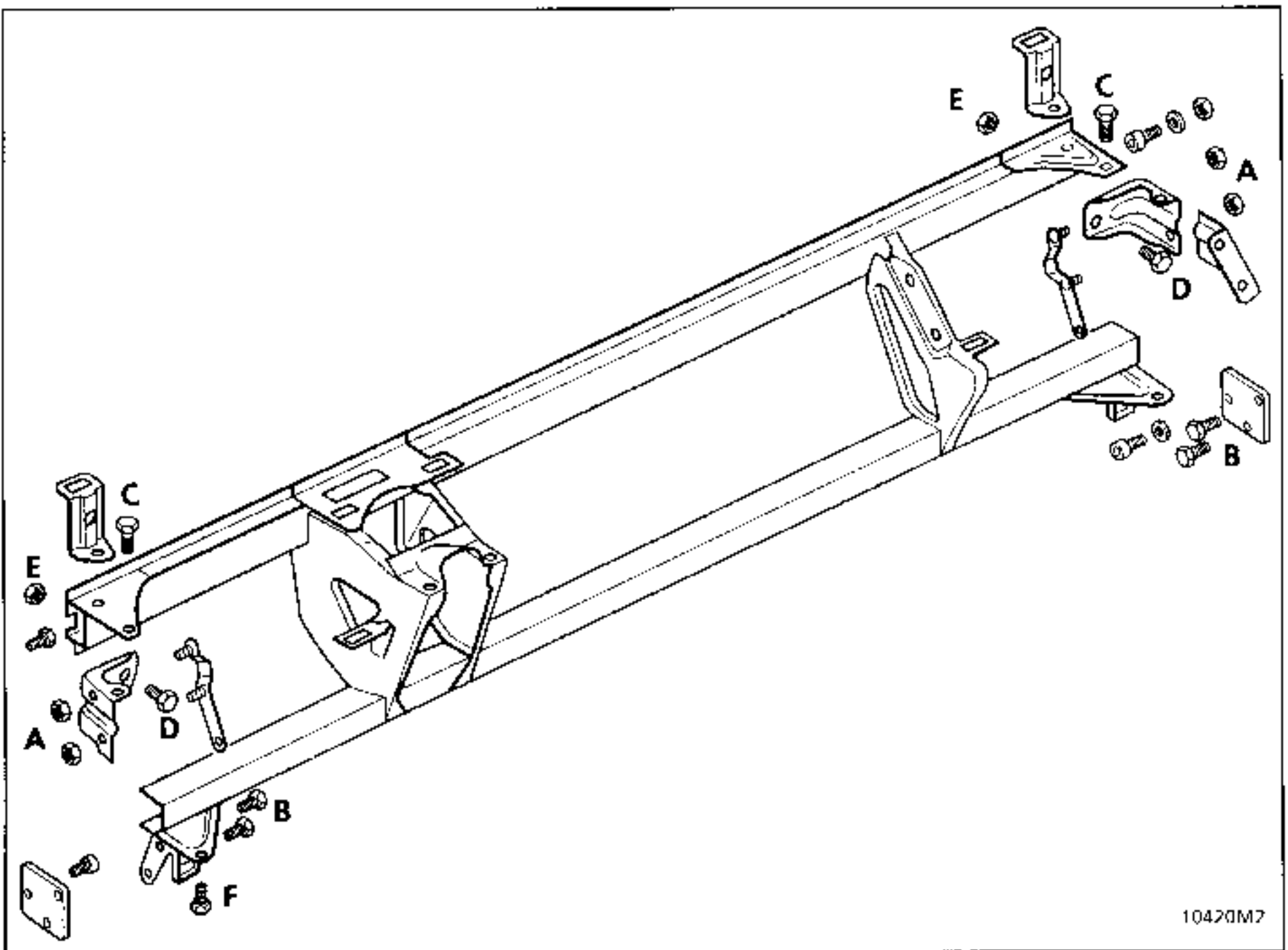
**Start the engine**

Check the operation of :

- the lighting,
- the radio,
- heating and cooling, wipers,
- ...

**Road test**

Check the levels.



10420M7

**MOUNTINGS**

**A** - Nuts reached via the wheel arch

**B** - Bolts reached after removing the lower consoles

**C** - Bolts reached after removing the heating controls

**D** - Bolts reached after removing the lower consoles

**E** - Nuts reached after removing the upper section of the dashboard and the demisting duct end sections

**F** - Bolts reached after removing the lower consoles

**TIGHTENING TORQUES (in daN.m)**



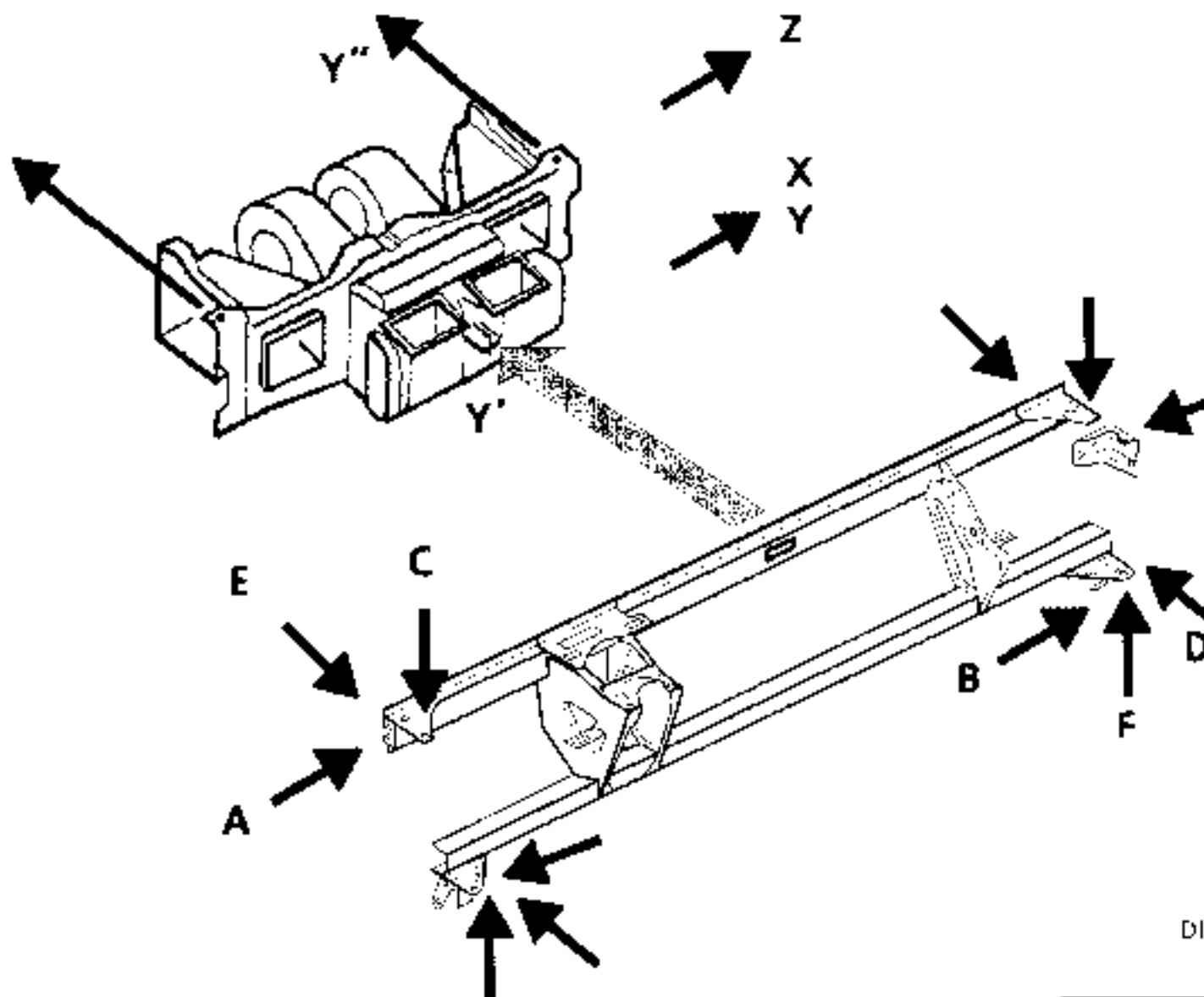
<b>Nut A</b>	2.5
<b>Bolt B</b>	2.5
<b>Bolt C</b>	4.5
<b>Bolt D</b>	2.5
<b>Nut E</b>	2.5
<b>Bolt F</b>	4.5

**TIGHTENING THE CROSS MEMBER**

**Cross member in position on pins X and Z**

Hand tighten: nuts (E)  
bolts (F)  
bolts (D)  
bolts (C)

Tighten: nuts (A)  
bolts (B)  
all nuts and bolts



### ADJUSTING THE CROSS MEMBER

The dashboard assembly is adjusted on the front door pivots for aesthetic and operational purposes.

Physically, the dashboard cross member is positioned in relation to points Y on the front door pivots and front pillars:

Centring is in relation to the doors at point Y' on the fan / evaporator assembly, which is itself set in the factory using points Y'' on the bulkhead.

Adjustment:

- for height and depth on pins Z on the cowl side panel,
  - in level on pins X on the cowl side panel,
- Points X and Z can be checked on the body repair bench.

One or other of points points Y'' may be countersunk with the fan / evaporator unit on the vehicle, when replacing a 1/2 air duct.

### REPLACING THE CROSS MEMBER

Check that the fan housing is not broken at the centring point Y'.

Fit the dashboard strip to the cross member (see §57).

Fit the new cross member, together with the dashboard strip and the slack four brackets into the vehicle, centring the assembly at Y'.

Check that the ends of the strip are equidistant from the points Y on the door pivots.

Hand tighten mountings A and B.  
Tighten mountings E - D - C and F.

Remove the cross member after pre-adjusting it in this manner and fit the trim:

- LH and RH heating units,
- the automatic transmission control,

Replace the fitted out cross member in the vehicle.

Fit the electrical wiring.

Refit the trim to the dashboard strip (see § 57).

**IMPORTANT**

- Before removal:
- Connect the XR25 to the vehicle
- Turn the ignition on
- use fiche n°49 (ISO selector on S8 code)

**D 4 9**

Lock the computer using the XR25

**G 8 0 \***

and command

- When this function is activated, all the trigger lines are inhibited, the airbag warning light on the instrument panel and bargraph 14 LH side on the XR25 illuminate.
- Wait for 2 seconds for the unit to discharge automatically.
- Turn the ignition off.

**REMOVAL**

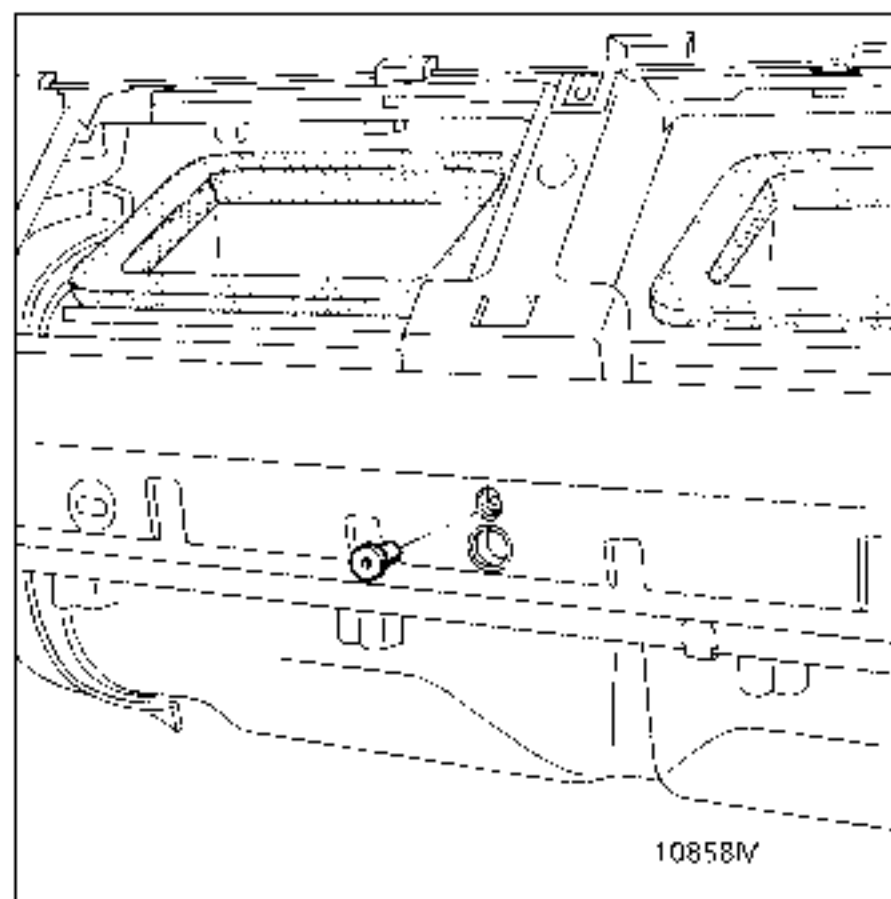
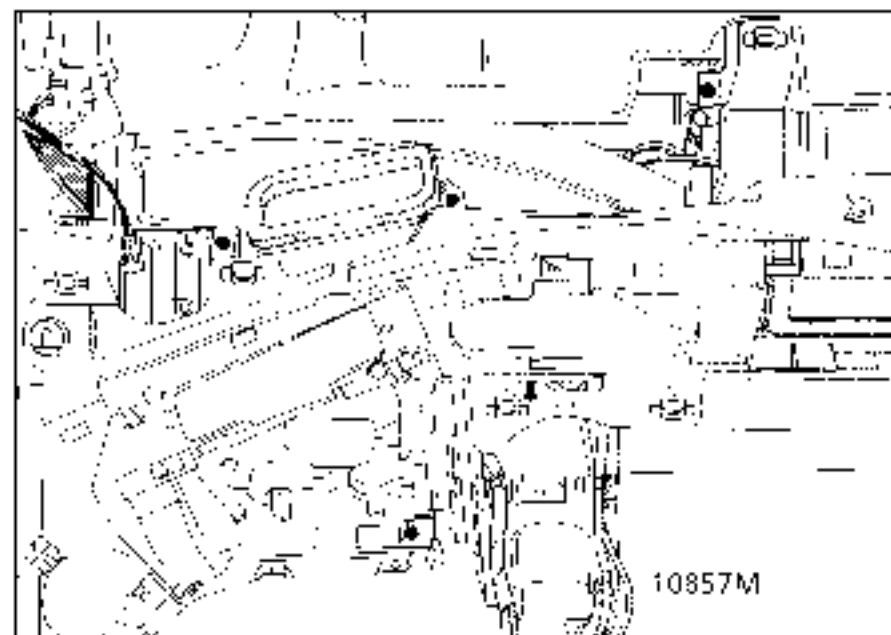
Set the air distribution to the footwells.

Remove:

- the dashboard front panel,
- the LH and RH demisting vents,
- the "tricorn" ducts,
- the heating controls,
- the covers and cloth strip,
- the steering surround,
- the ashtray,
- the centre storage tray (6 bolts + 1connector),
- the passenger airbag (4 bolts and 2 connectors).

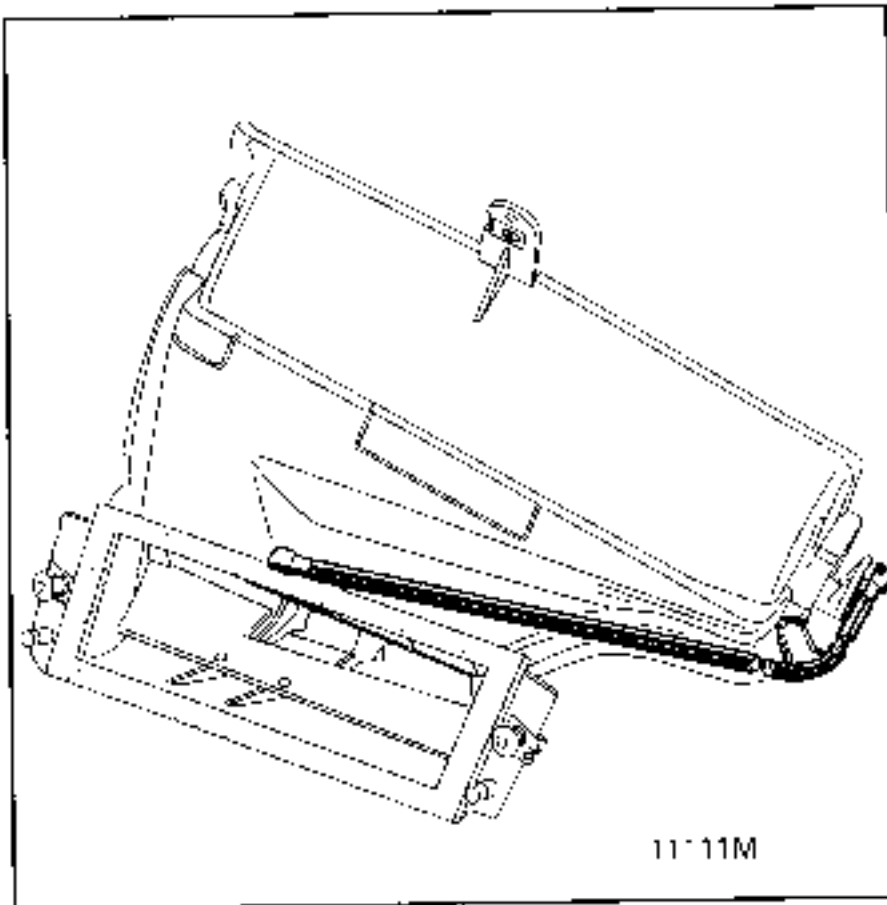
Move the display unit to one side (instrument panel).

Remove the 13 mounting bolts and the dashboard strip centring pin.



### REMOVING AND REFITTING THE TRIM TO THE STRIP

Remove the 2 x 2 bolts for the LH and RH vent ducts.  
Replace the side vent control bars.



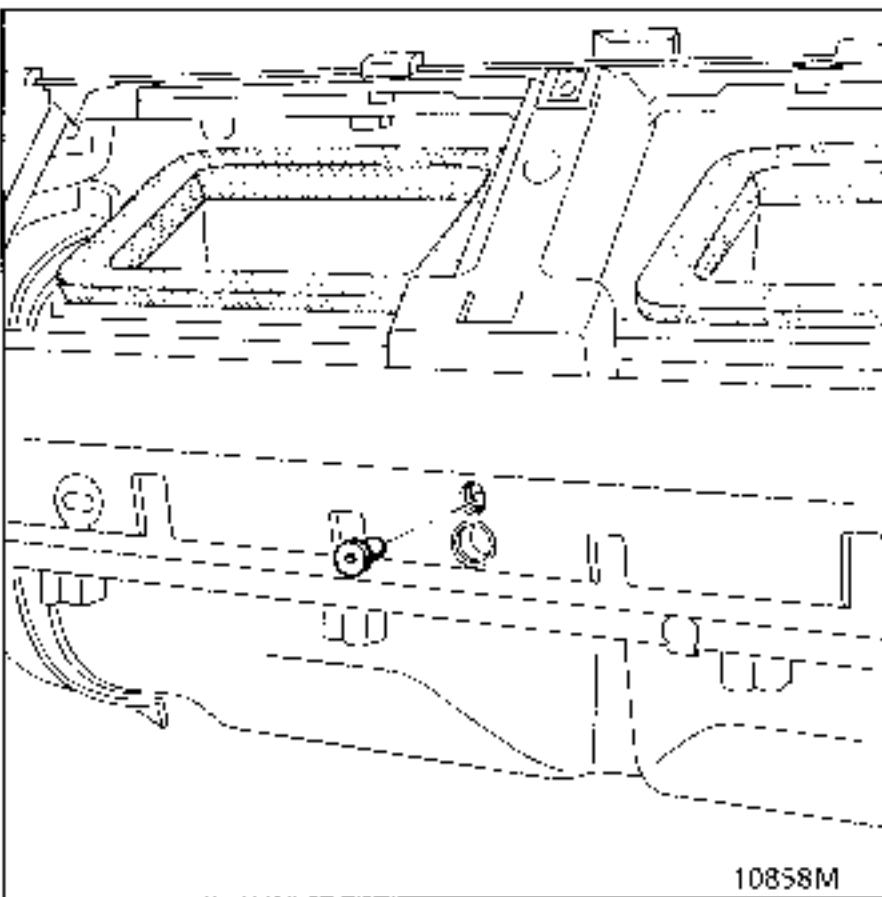
Release the cover from the display unit and push it forwards to release it. On refitting, determine its position on the locating pin.

Transfer:

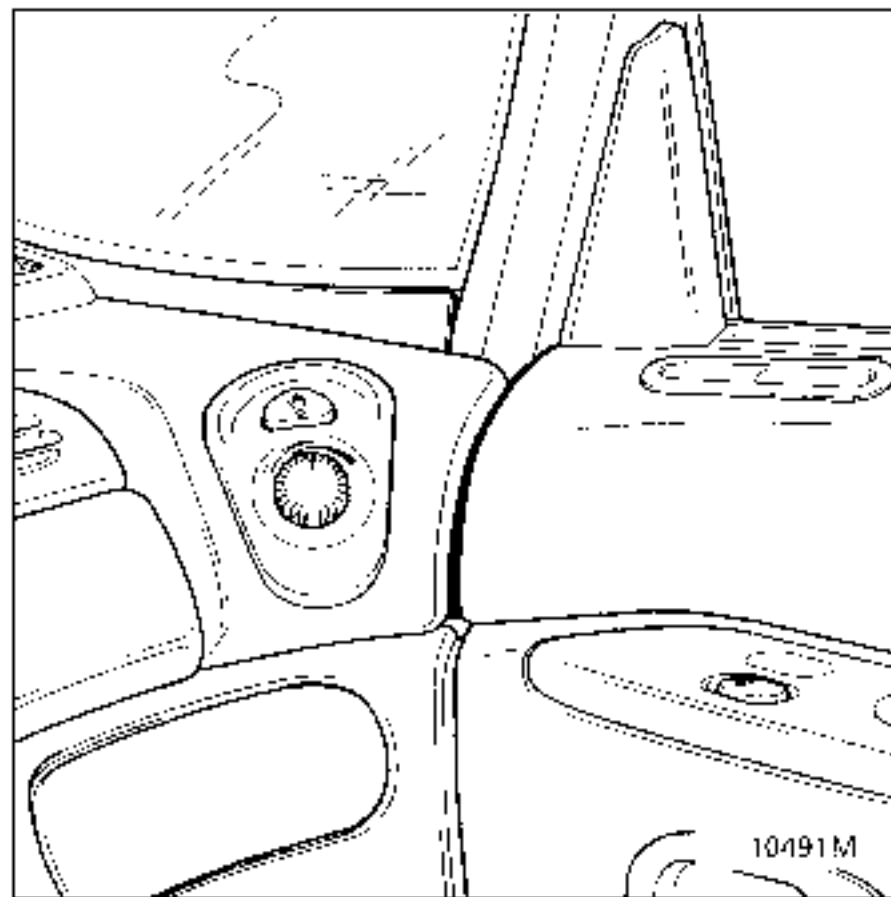
- the driver's cover hinges and the passenger airbag (4 bolts for hinges),
- the metal clips for the end mountings.

REFITTING

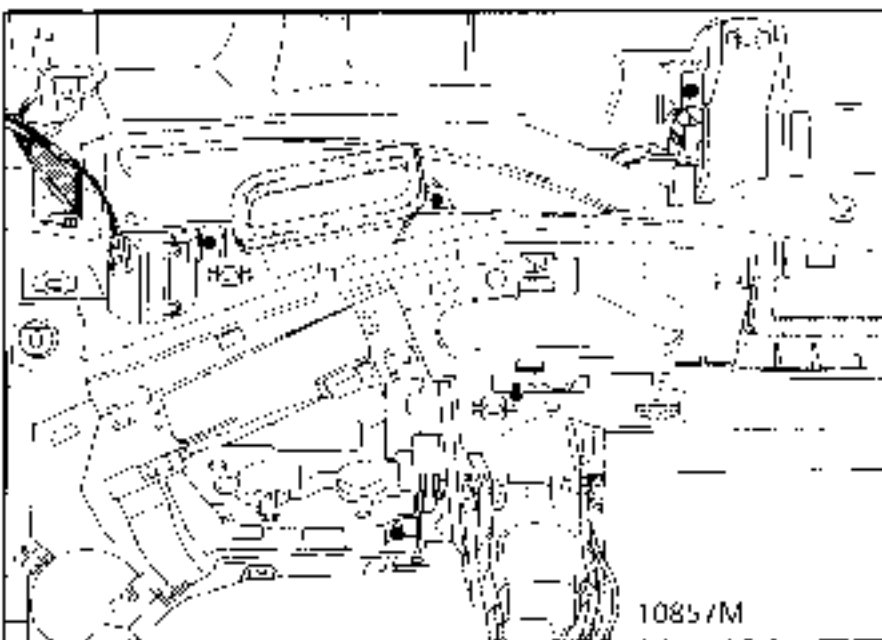
Centre the strip on the cross member using the pin.



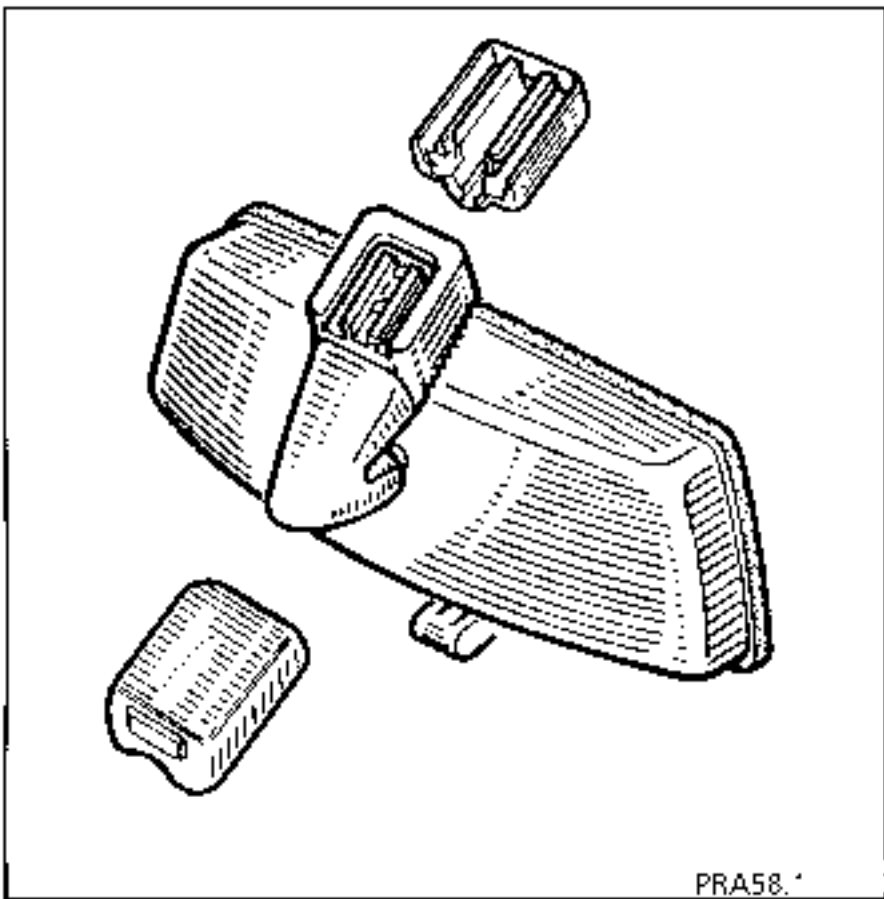
Check the distribution of play between the LH and RH sides.



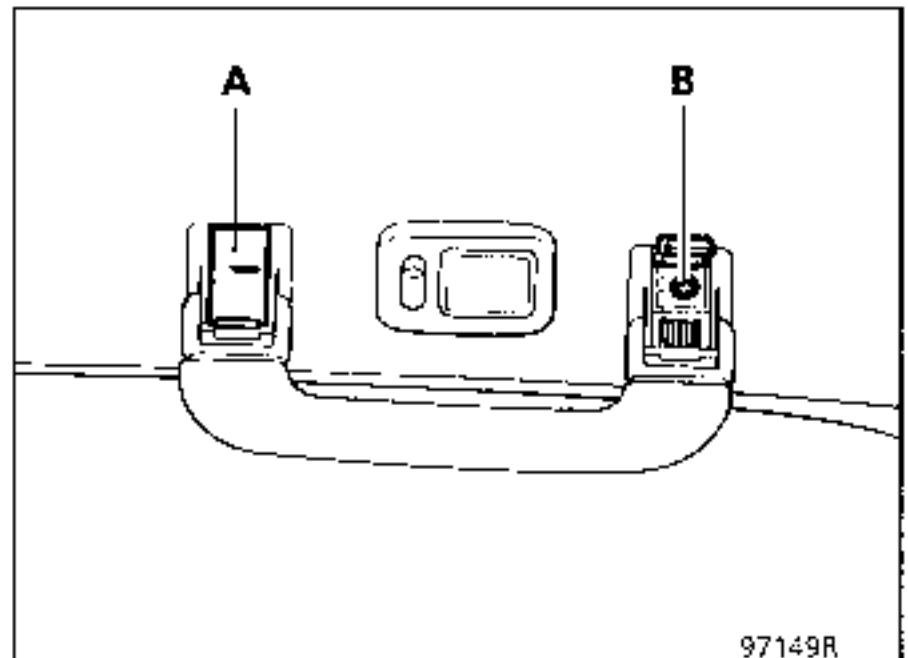
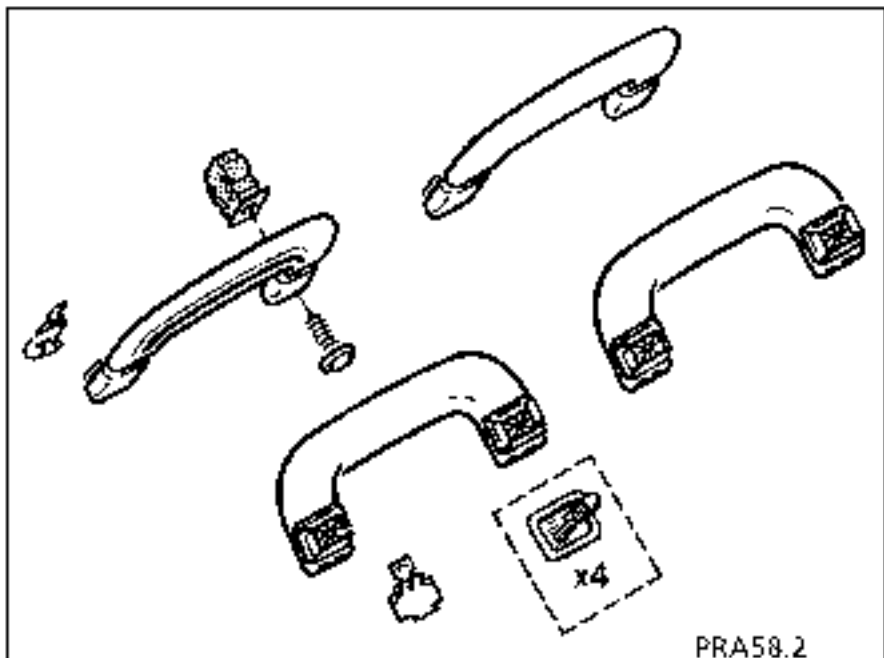
Refit the 13 mounting bolts.



REMOVAL



Grab handle

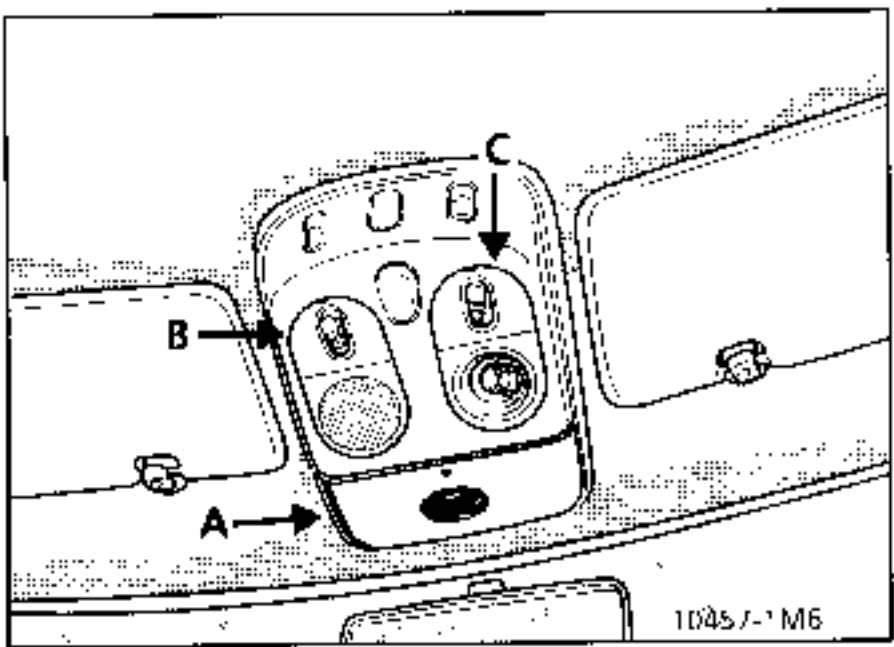


Separate the tabs (A).

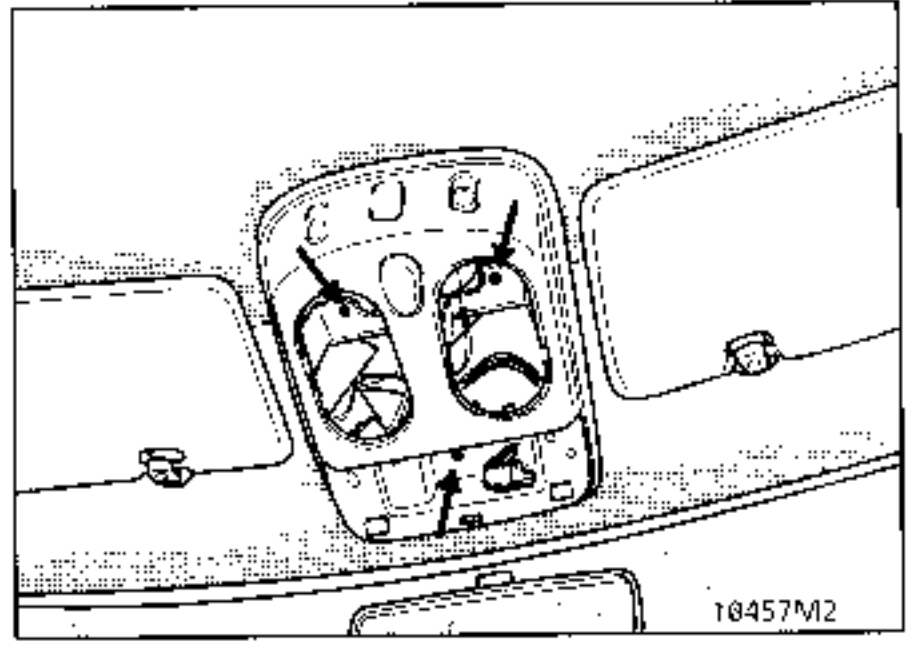
Remove the Torx 20 bolts (B).



REMOVAL

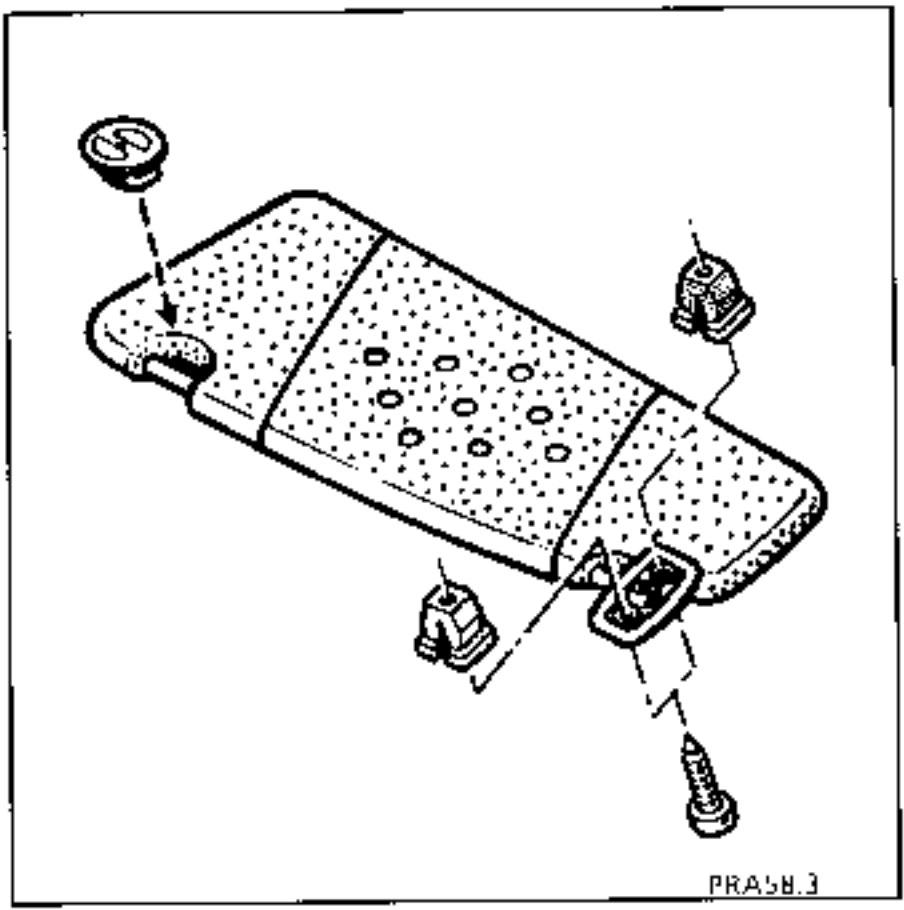


Remove cover (A),(B),(C).



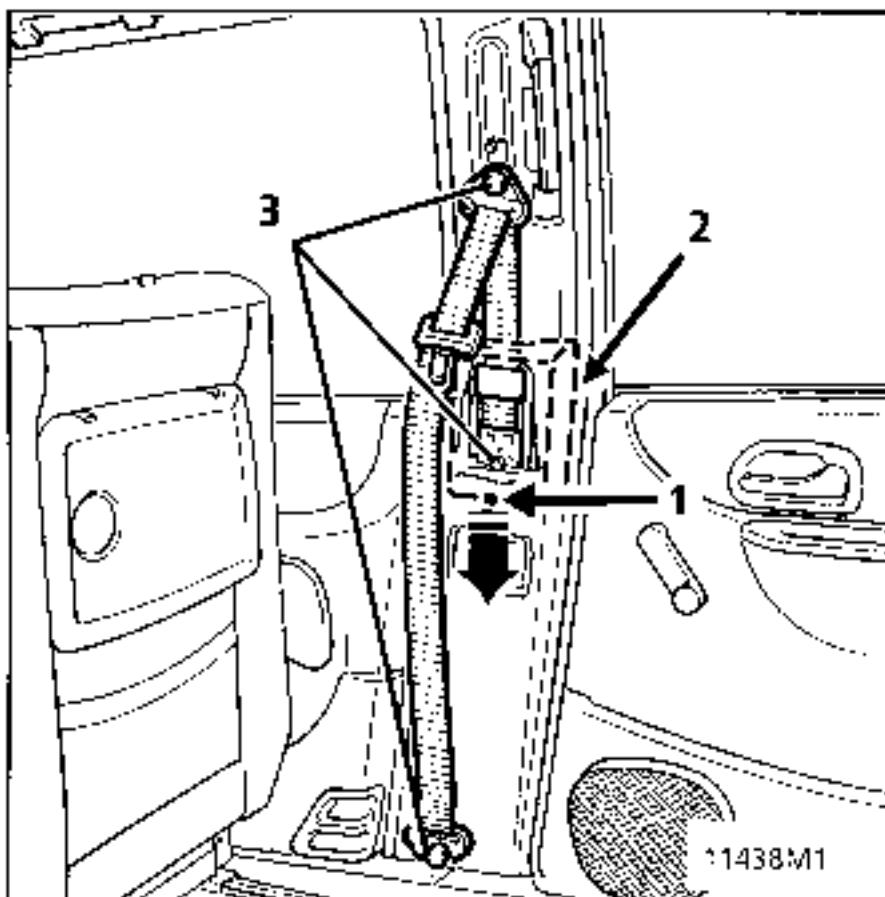
Remove the Torx 20 bolts and remove the console.  
Disconnect the various wiring harnesses.

Sun visor



Remove the three mountings (Torx bolts).

TIGHTENING TORQUES (in daN.m)	
Seat belt pretensioner mounting bolt	2.5
Seat belt mounting bolt	2.5
Adjustment return mechanism mounting bolt	2.5

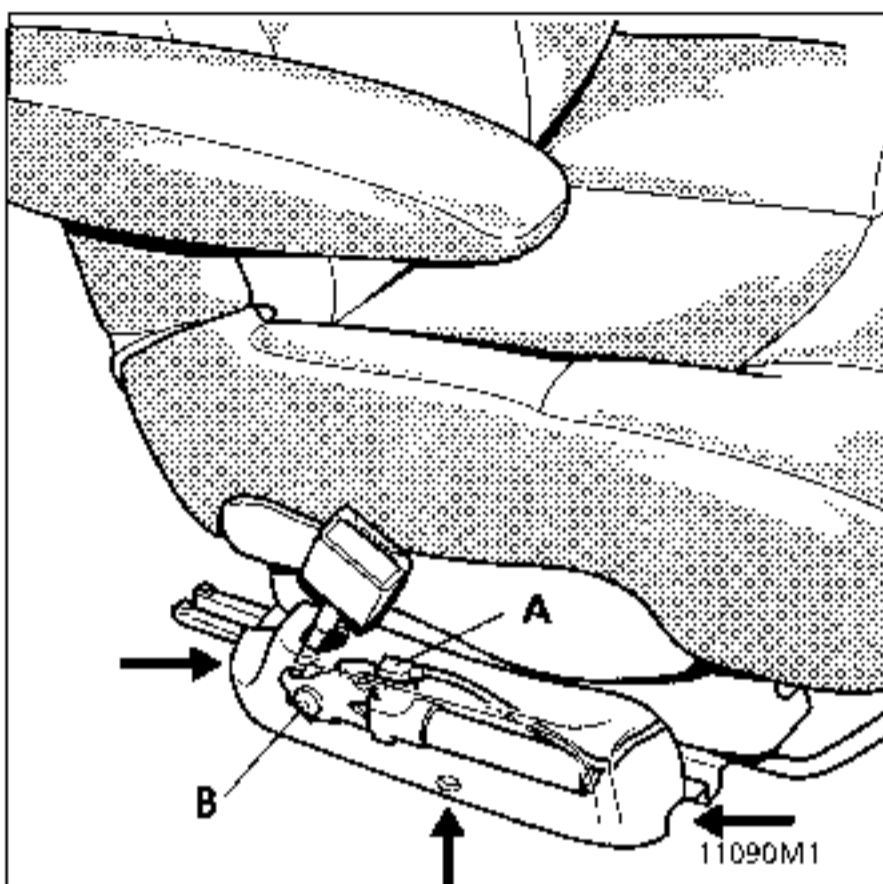


## REMOVAL

Remove:

- Bolt (1).
- Cover (2), and slide it downwards by approximately 15 mm to release the upper clips.
- Bolts (3).

Removing the seat belt pretensioner.



**IMPORTANT:**

- When refitting the pretensioner:
- Reconnect the connector.
- Check using the XR25. If all is correct, unlock the computer  
using command **G 8 1 \***
- Check that bargraph 14 LH side is extinguished.

**IMPORTANT**

- Before removing the pretensioner:
- Connect the XR25 to the vehicle
- Turn the ignition on
- use fiche n°49 (ISO selector on 58 code )

**D 4 9**

Lock the computer using the XR25

and command **G 8 0 \***

- When this function is activated, all the trigger lines are inhibited, the airbag warning light on the instrument panel and bargraph 14 LH side on the XR25 illuminate.
- Wait for 2 seconds for the unit to discharge automatically.
- Turn the ignition off.

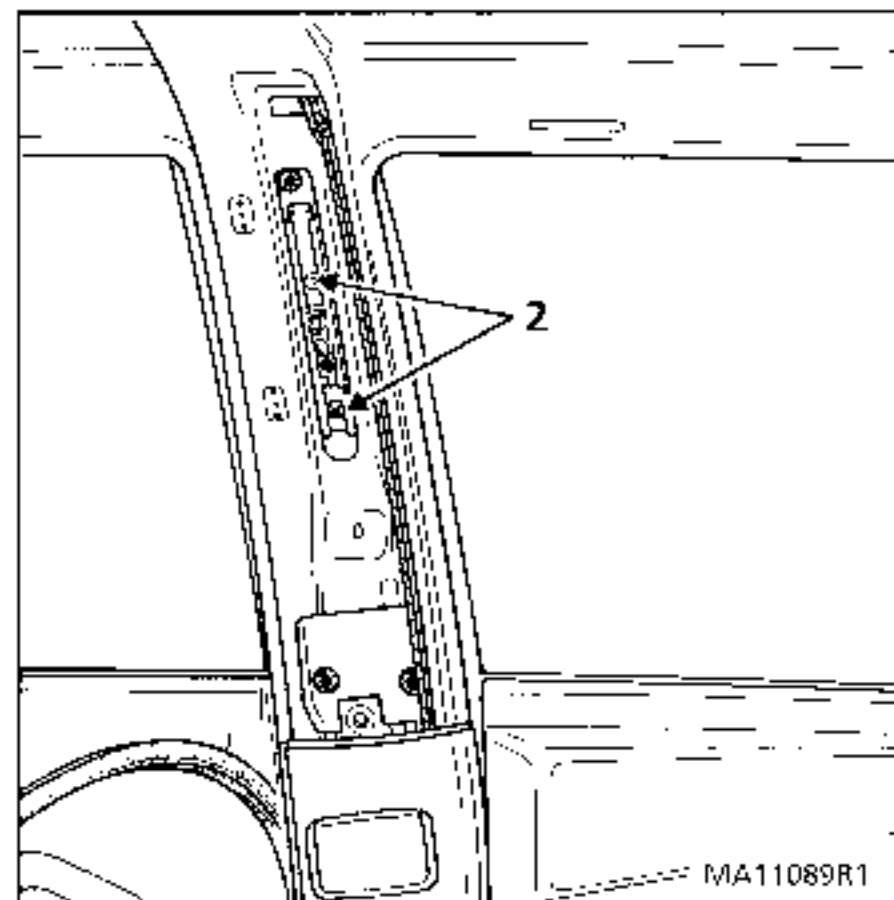
remove:

- the pretensioner protective trim ( 3 Torx bolts 20)
- Disconnect the connector (A)
- Bolt (B)

**REMOVAL - REFITTING**

**Remove:**

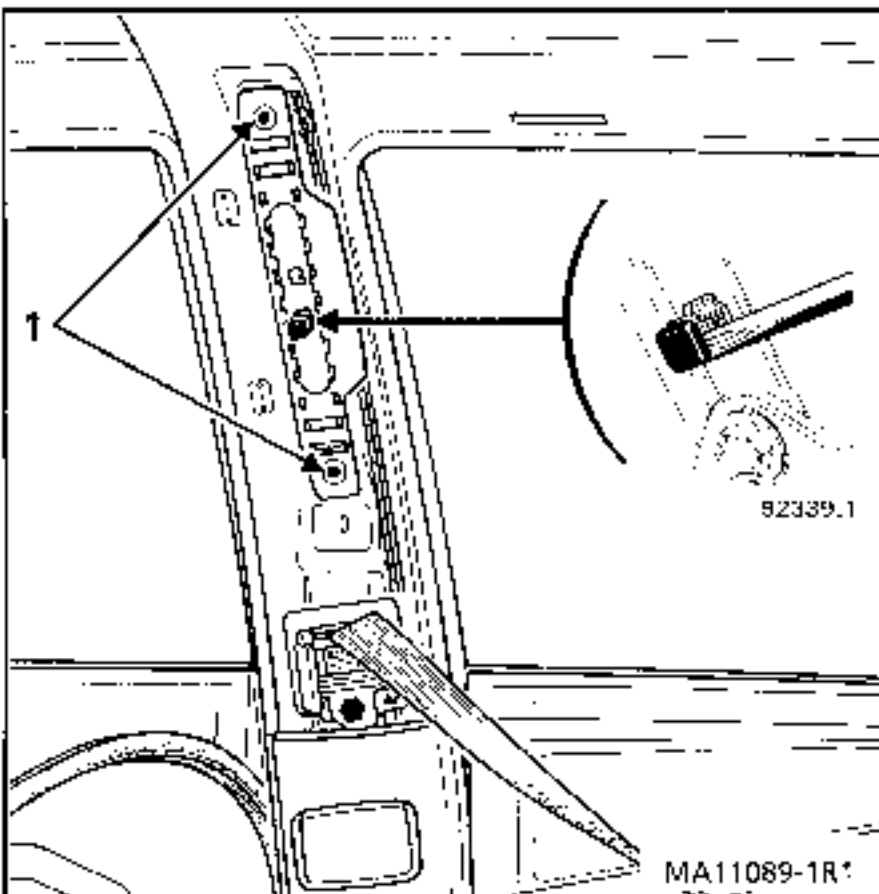
- The seat belt mounting on the centre pillar.
- The grab handle.
- The plastic trim.
- The centre pillar lining (part section)



- Bolts (2) for the sliding mechanism.
- The mechanism.

**REFITTING**

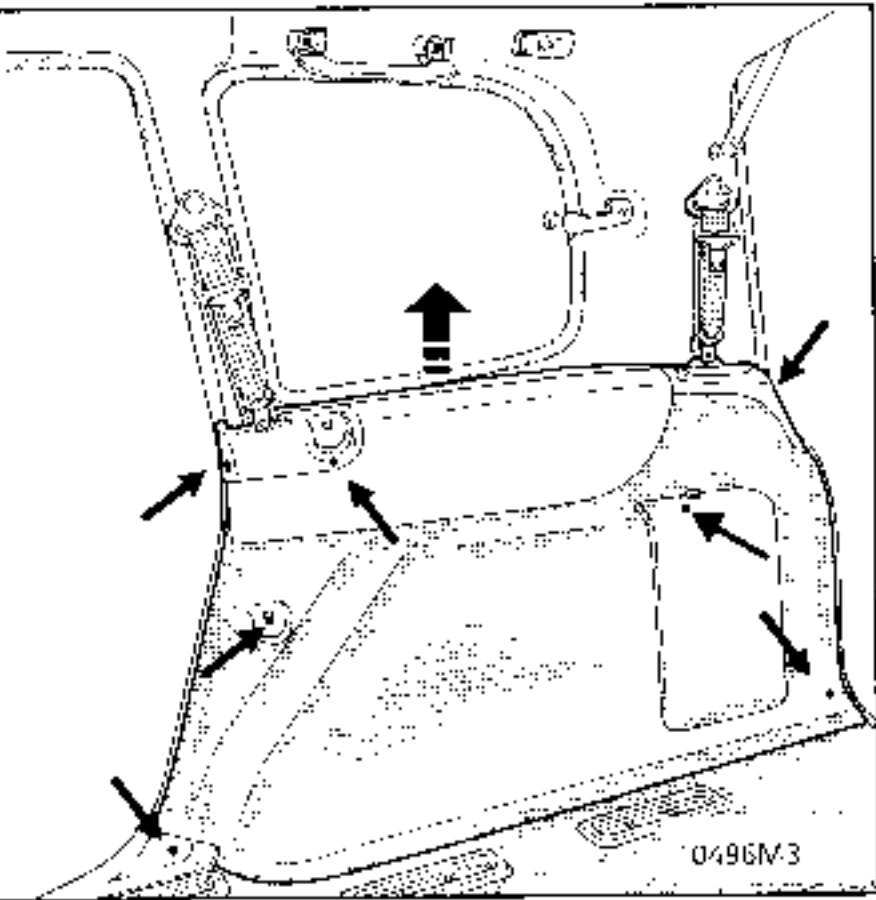
Refitting is the reverse of removal.



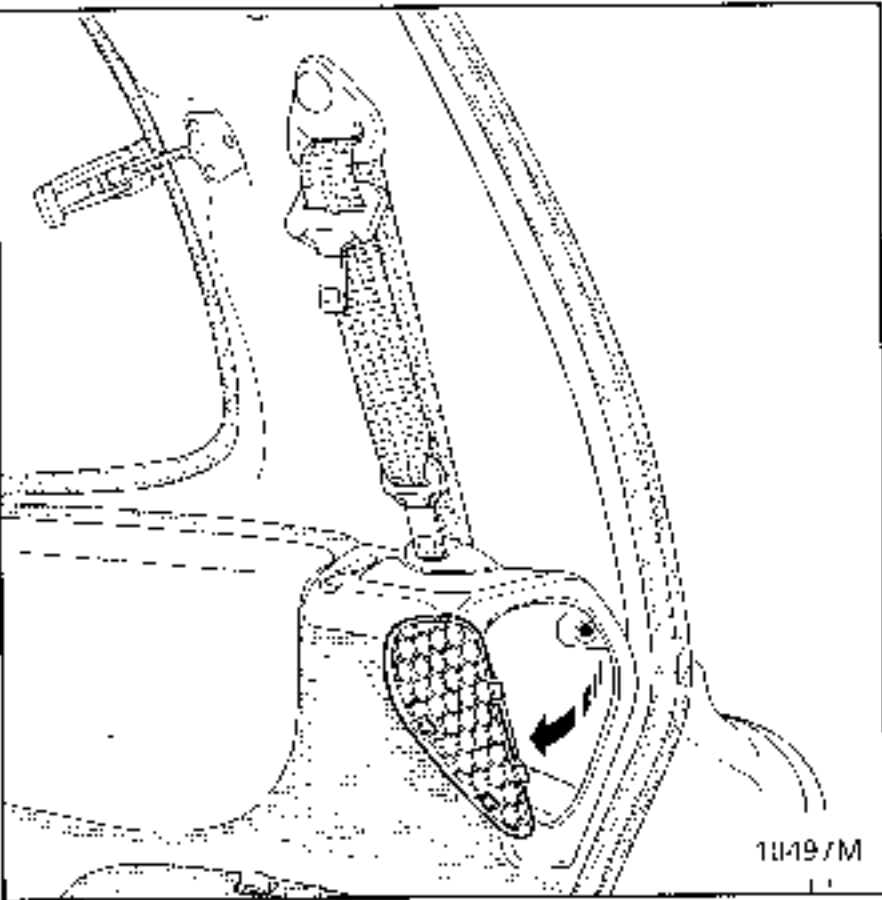
- The height adjustment handle, unclipping the top using a screwdriver.
- Bolts (1).
- The sliding cover for the adjustable mounting.

REMOVAL of the seat belts from the rear pillar

- Remove:
- The mountings for the rear L.H wheel arch.

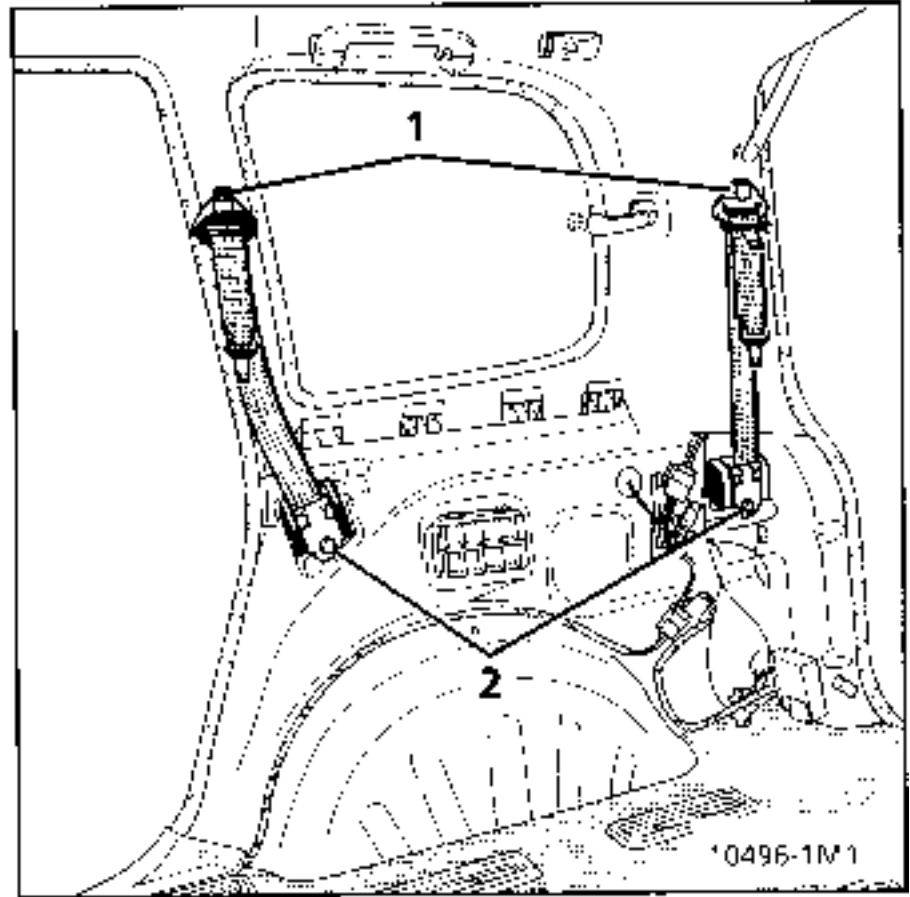


The upper rear mounting for the lining after unclipping the grille using a small screwdriver.



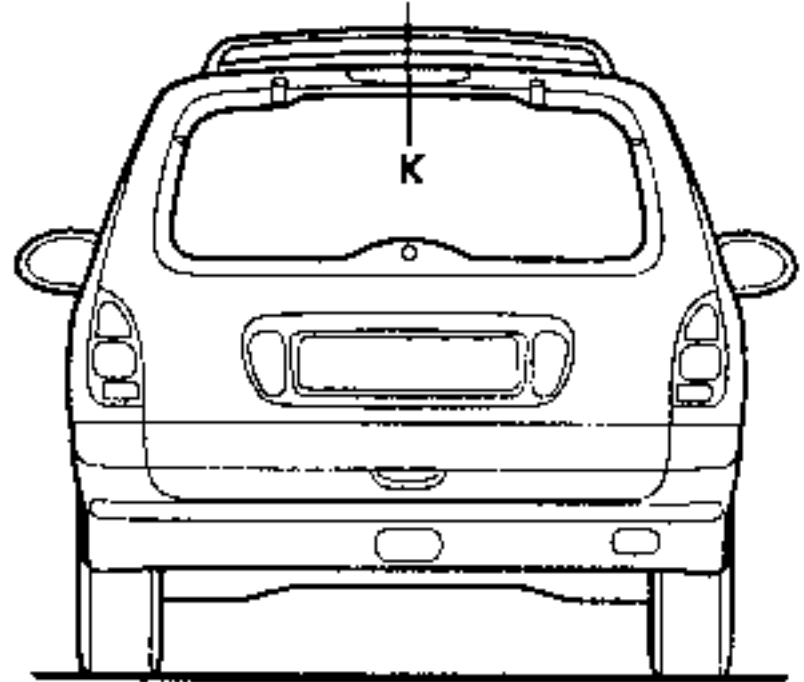
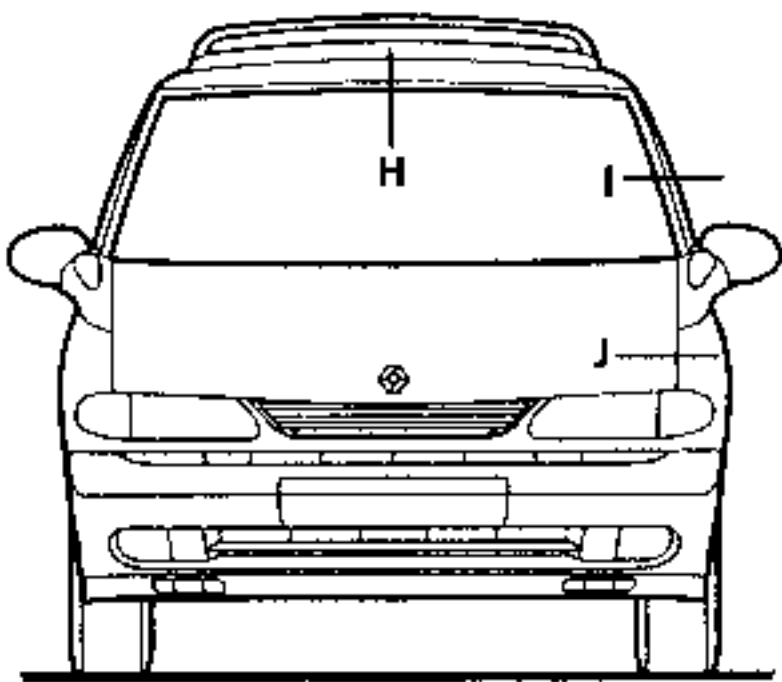
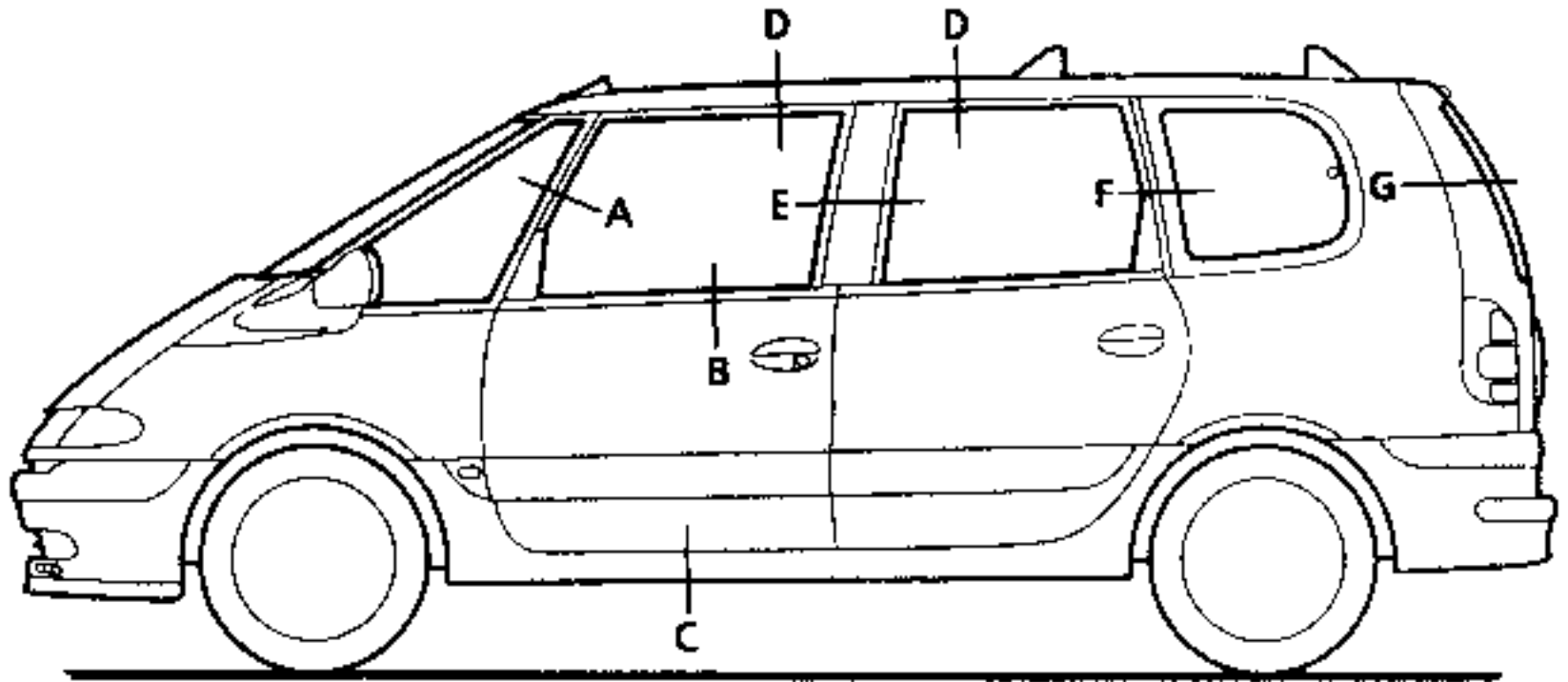
Lift the lining assembly to release the 4 plastic retaining clips at the upper edge.

- Remove:
- Bolts 1.
  - Bolts 2.

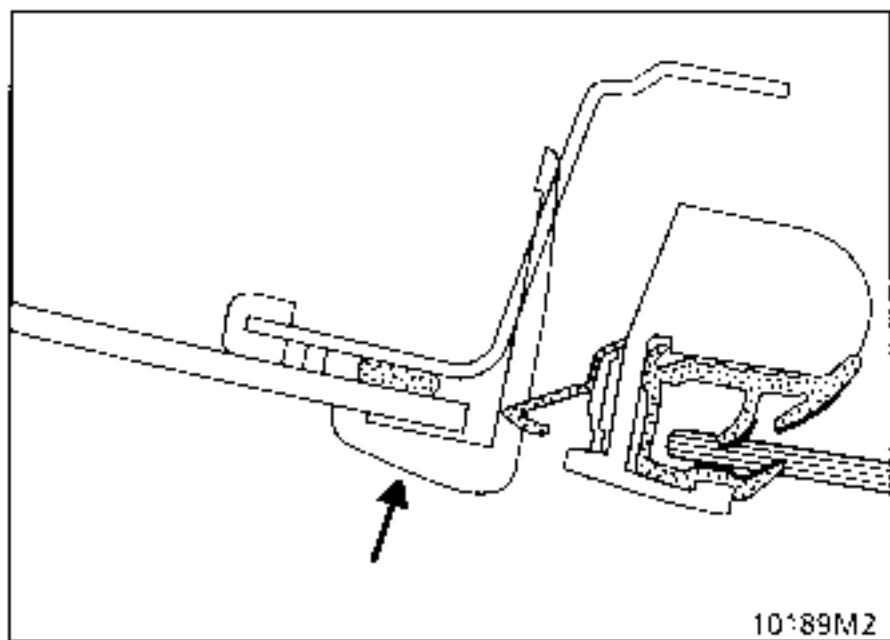


Refer to Workshop Repair Manual 502 section 6 Water sealing (Part Number : 77 11 174 228 ).

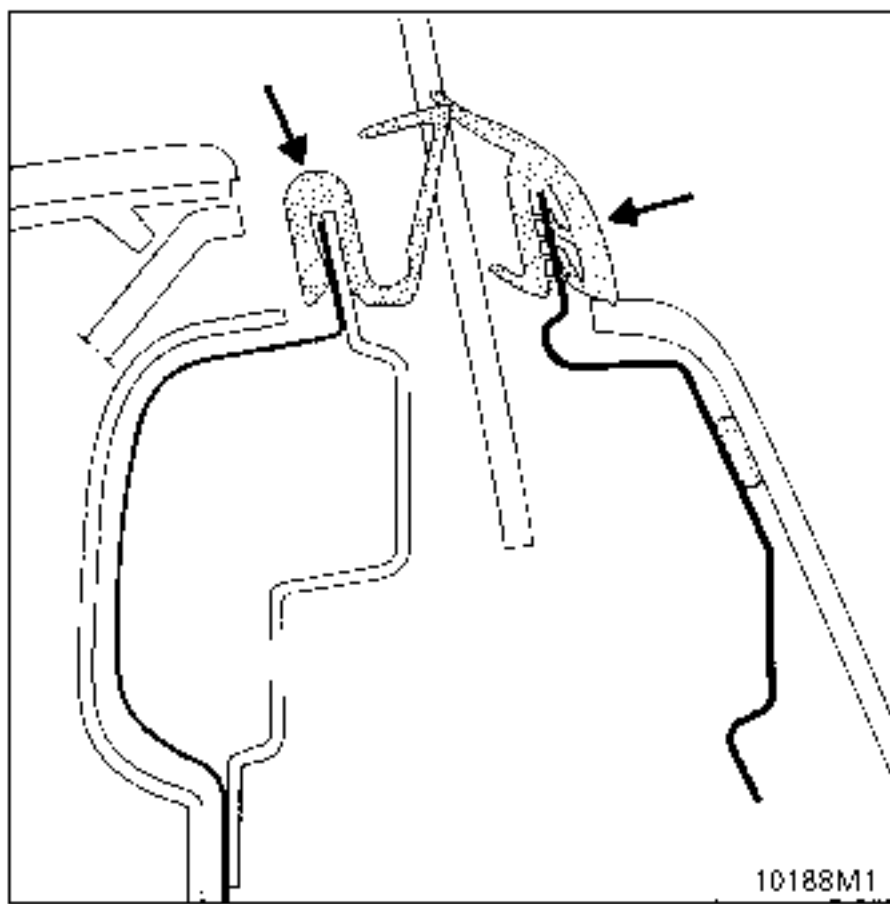
For sealing and protection, refer to section Espace 601 section 95.



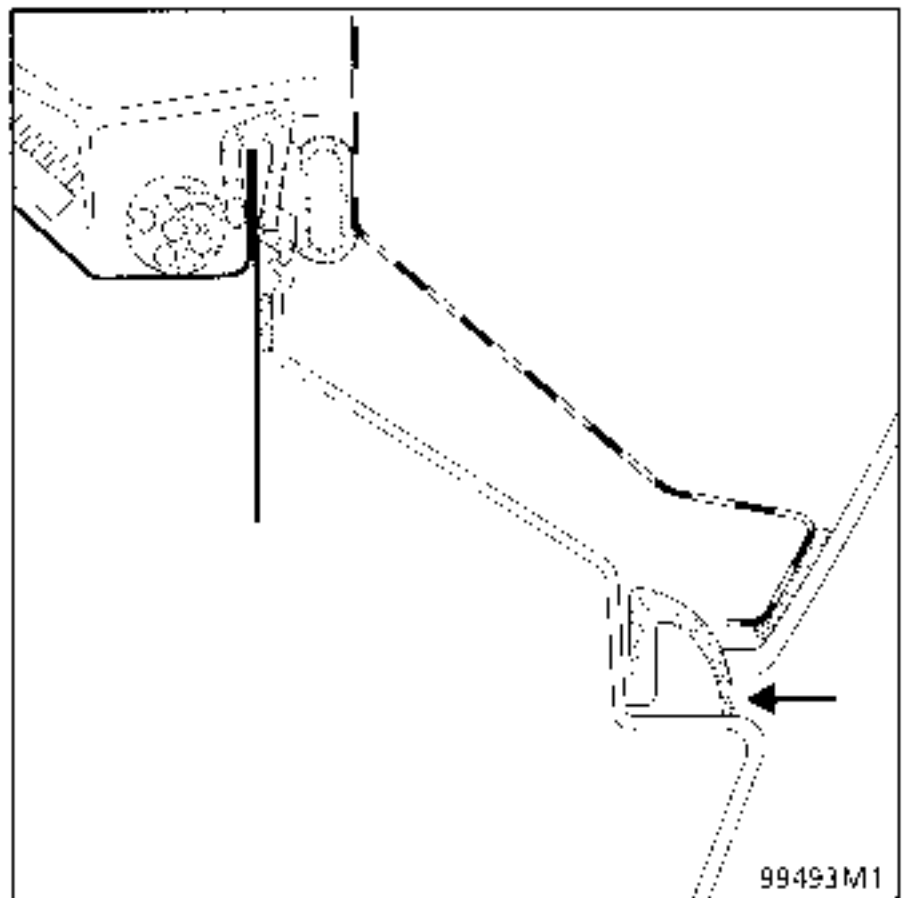
10176-6M1



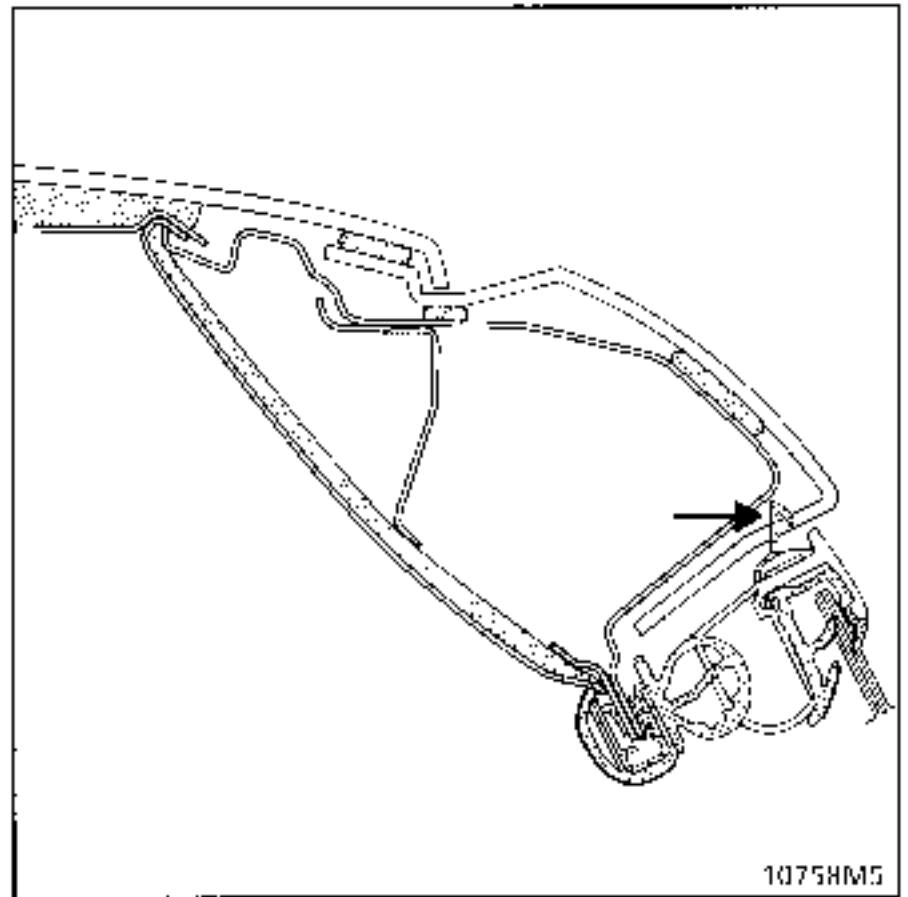
(A) Deflector window finishing trim.



(B) Front door interior and exterior weatherstrip

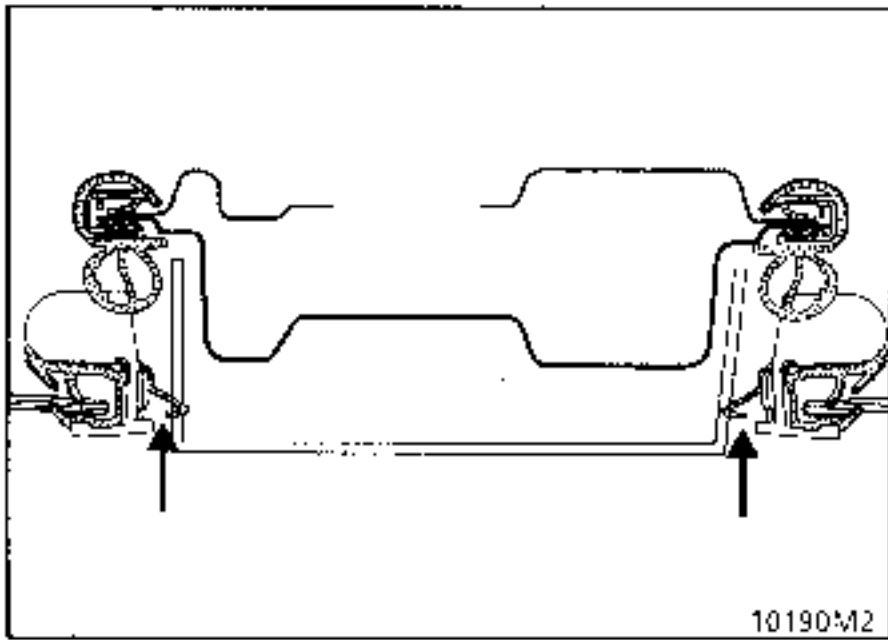


(C) Valance panel primary seal.

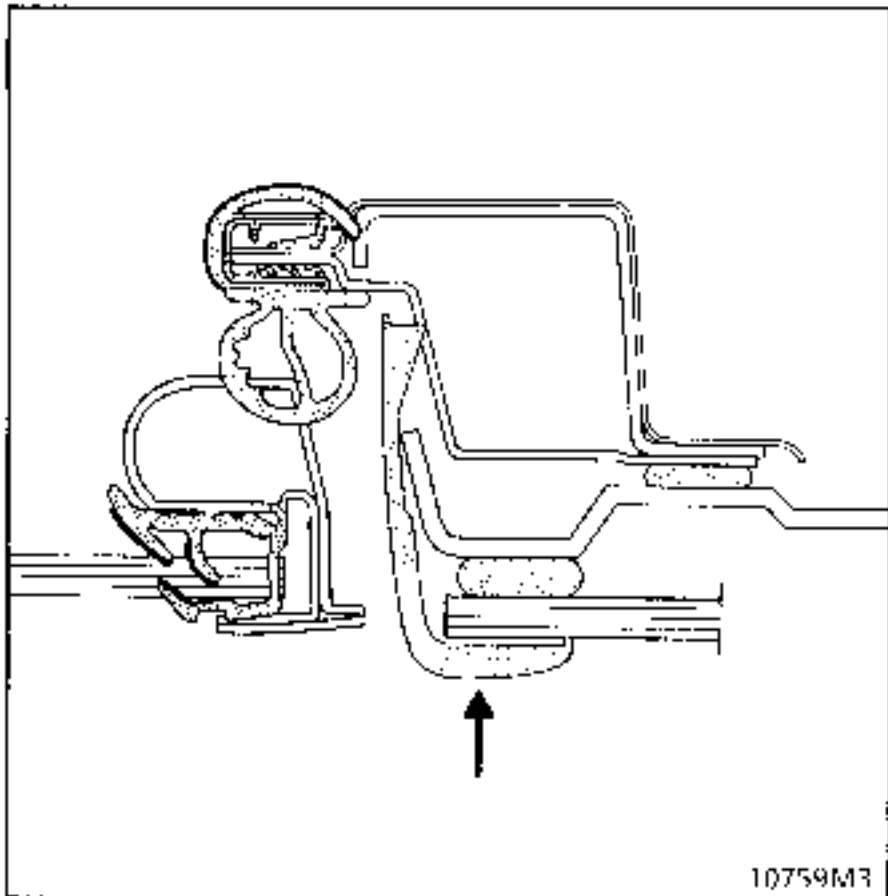


(D) Door frame primary seal.

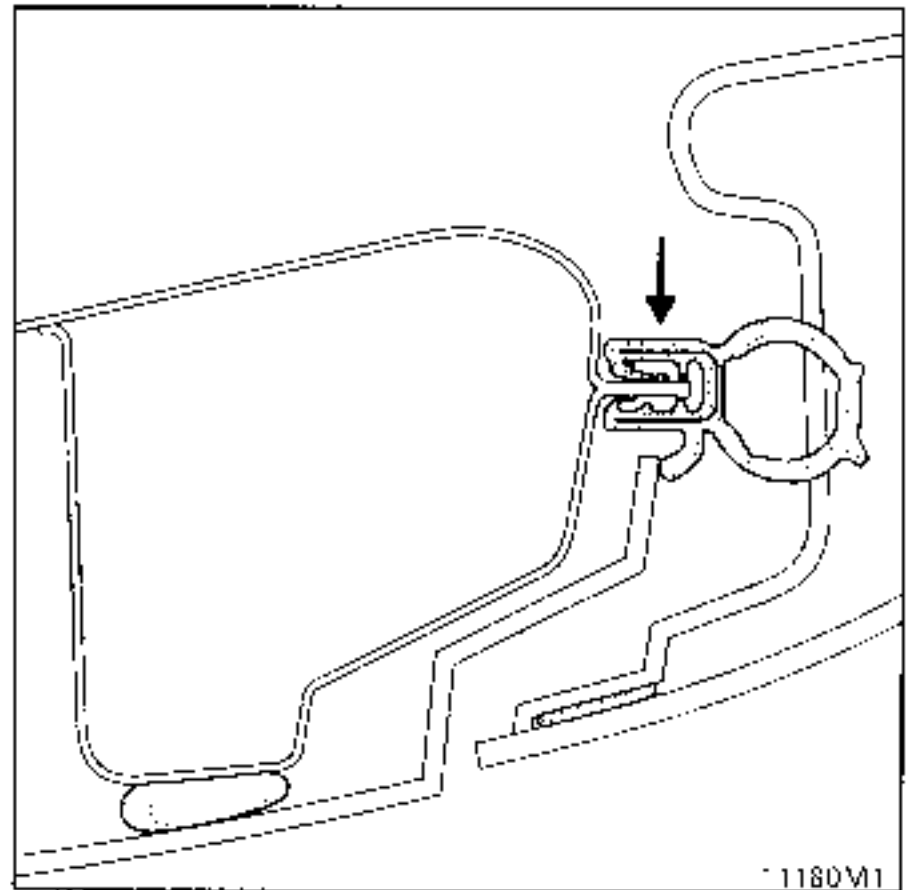




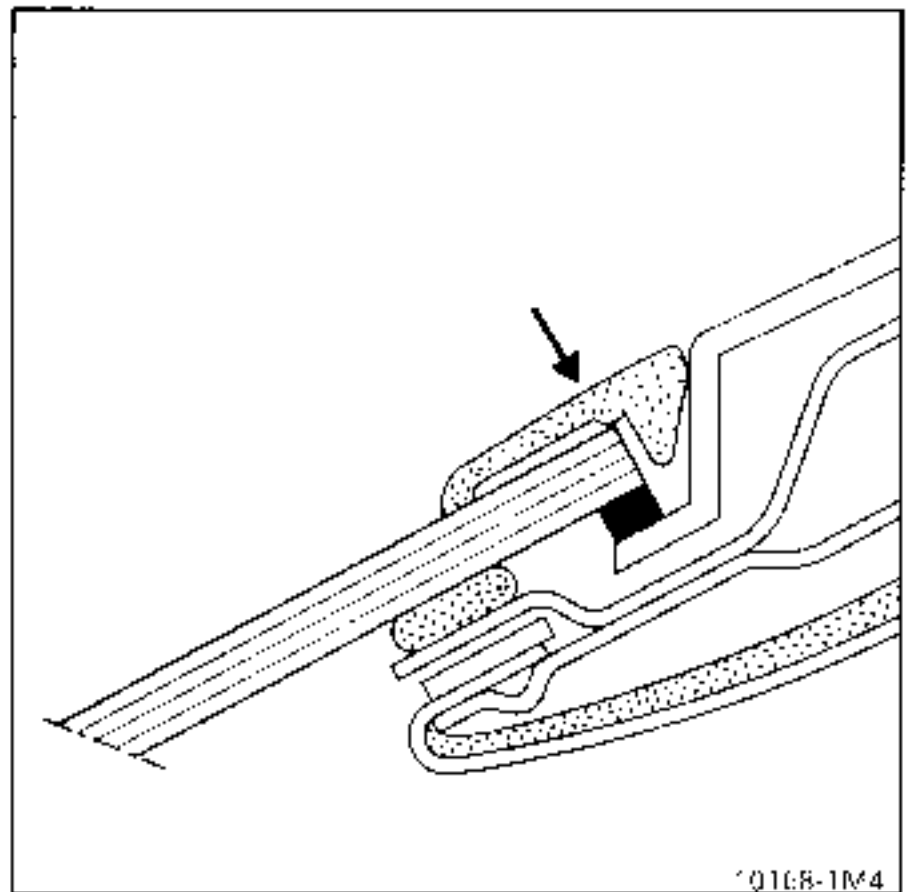
(E) Centre pillar trim seal.



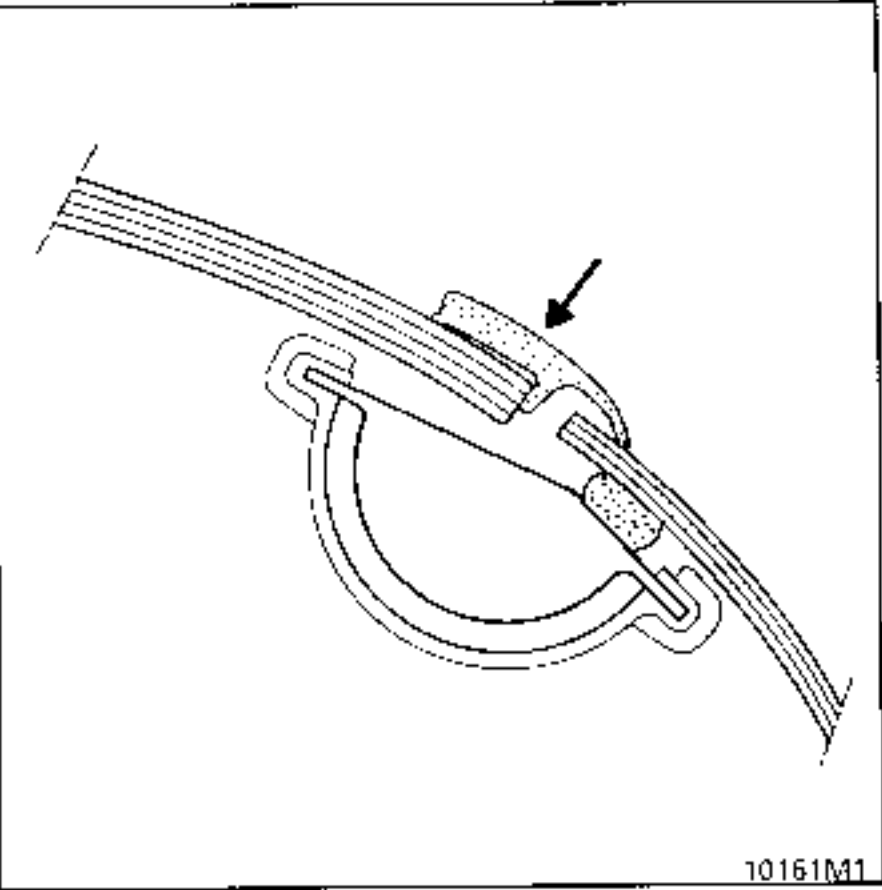
(F) Rear quarter panel window finishing trim.



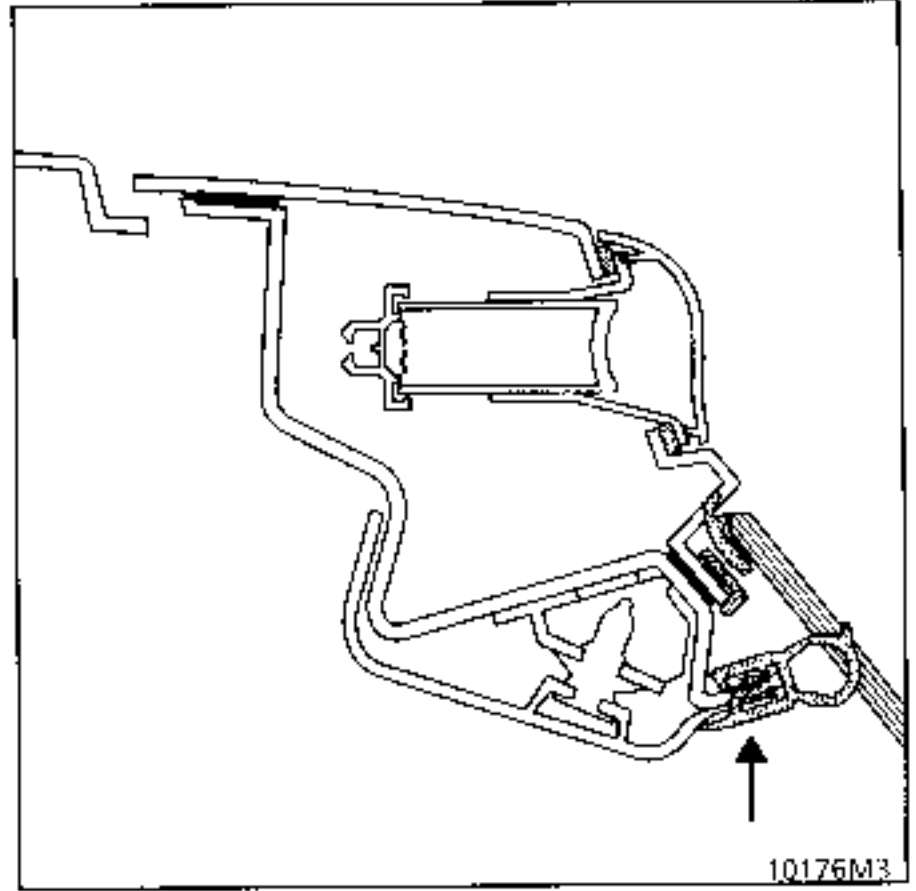
(G) Tailgate seal.



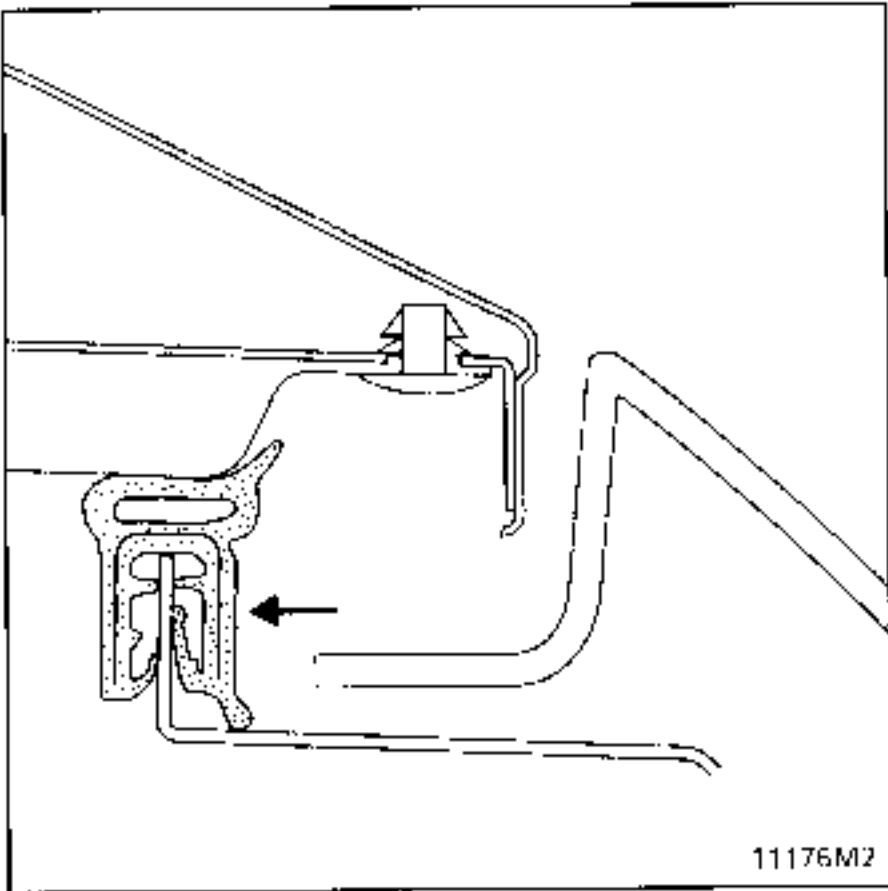
(H) Windscreen finishing trim.



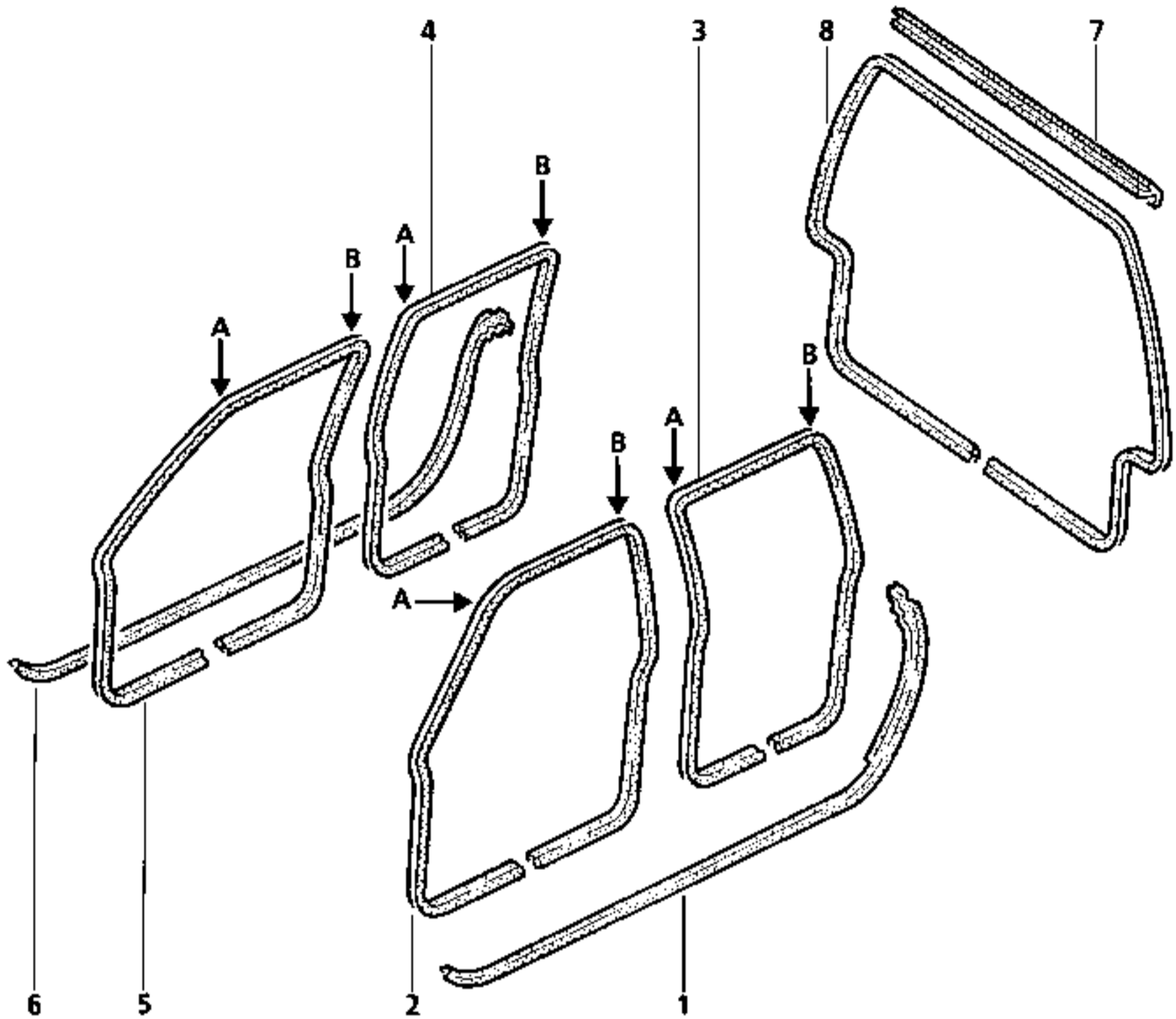
(I) Windscreen and deflector finishing trim.



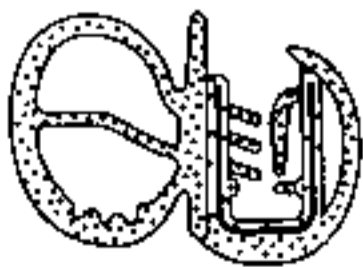
(K) Opening window seal.



(J) Bonnet seal.



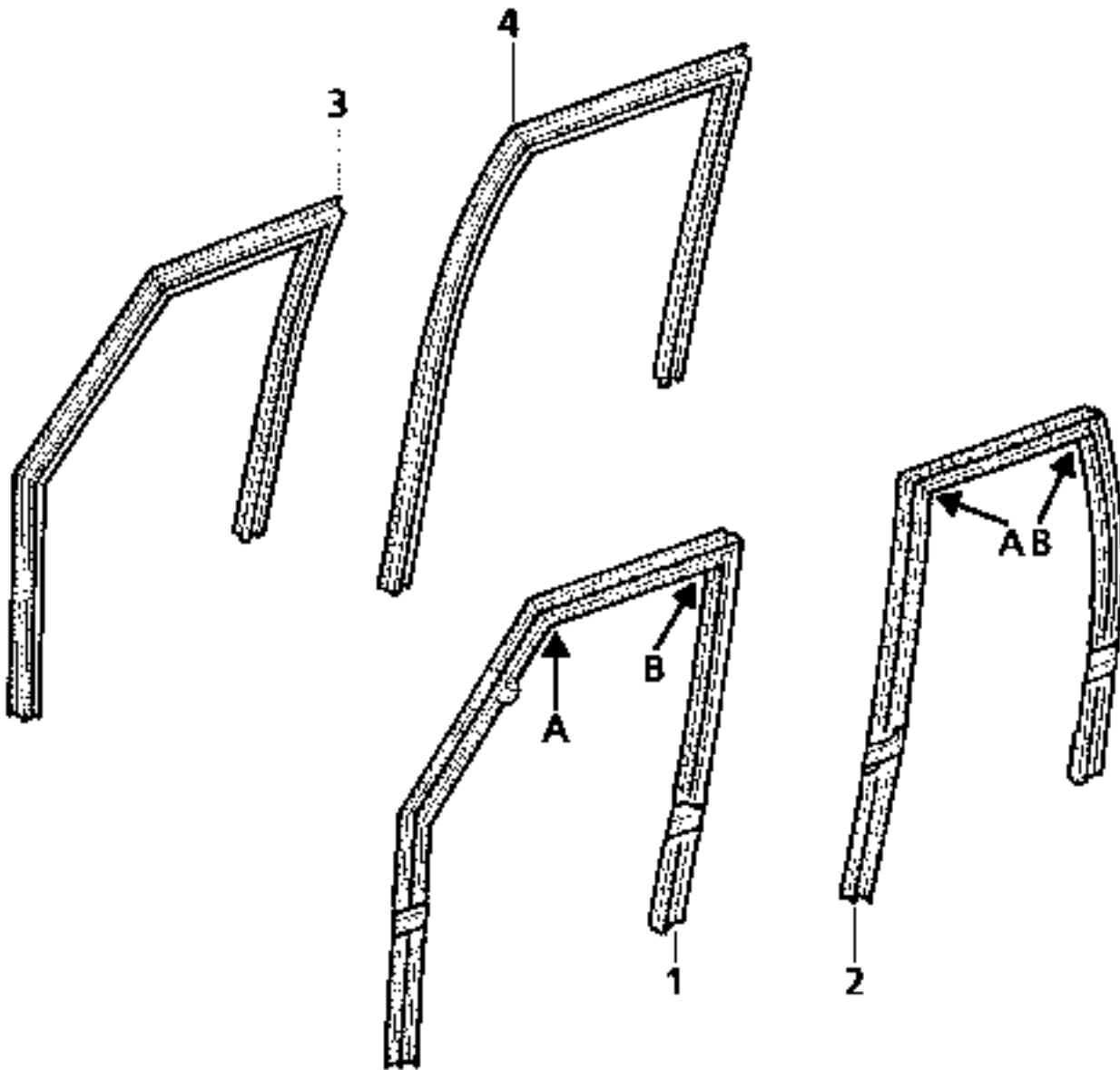
PRA6401



- 1 Left hand valance seal
- 2 Front left door frame seal
- 3 Rear left door frame seal
- 4 Rear right door frame seal
- 5 Front right door frame seal
- 6 Right hand valance seal
- 7 Primary seal
- 8 Tailgate frame seal

The door sill protectors must be removed to refit the door seals.

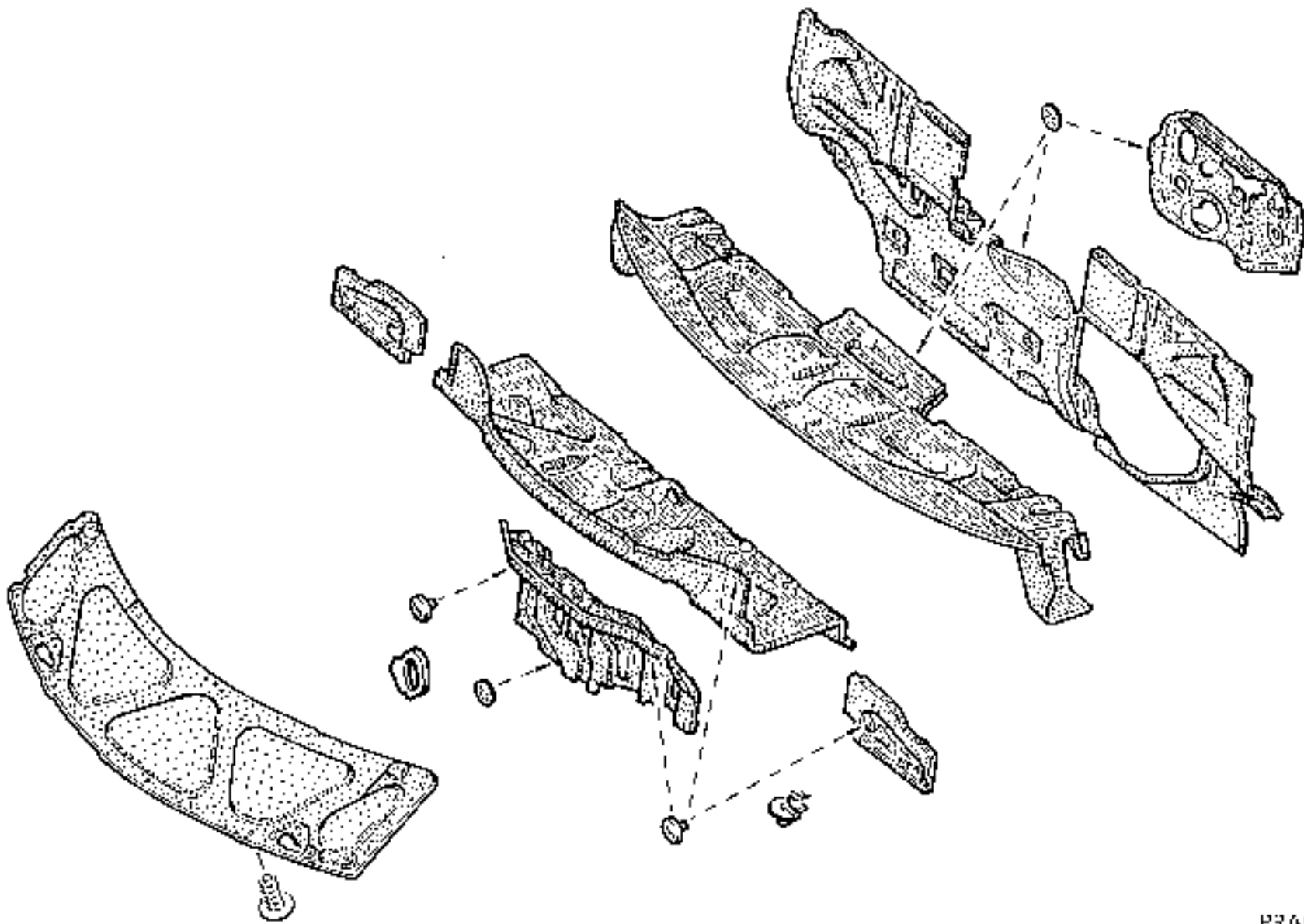
When refitting the position of the spot of paint in the corners (A) and (B) must be observed.



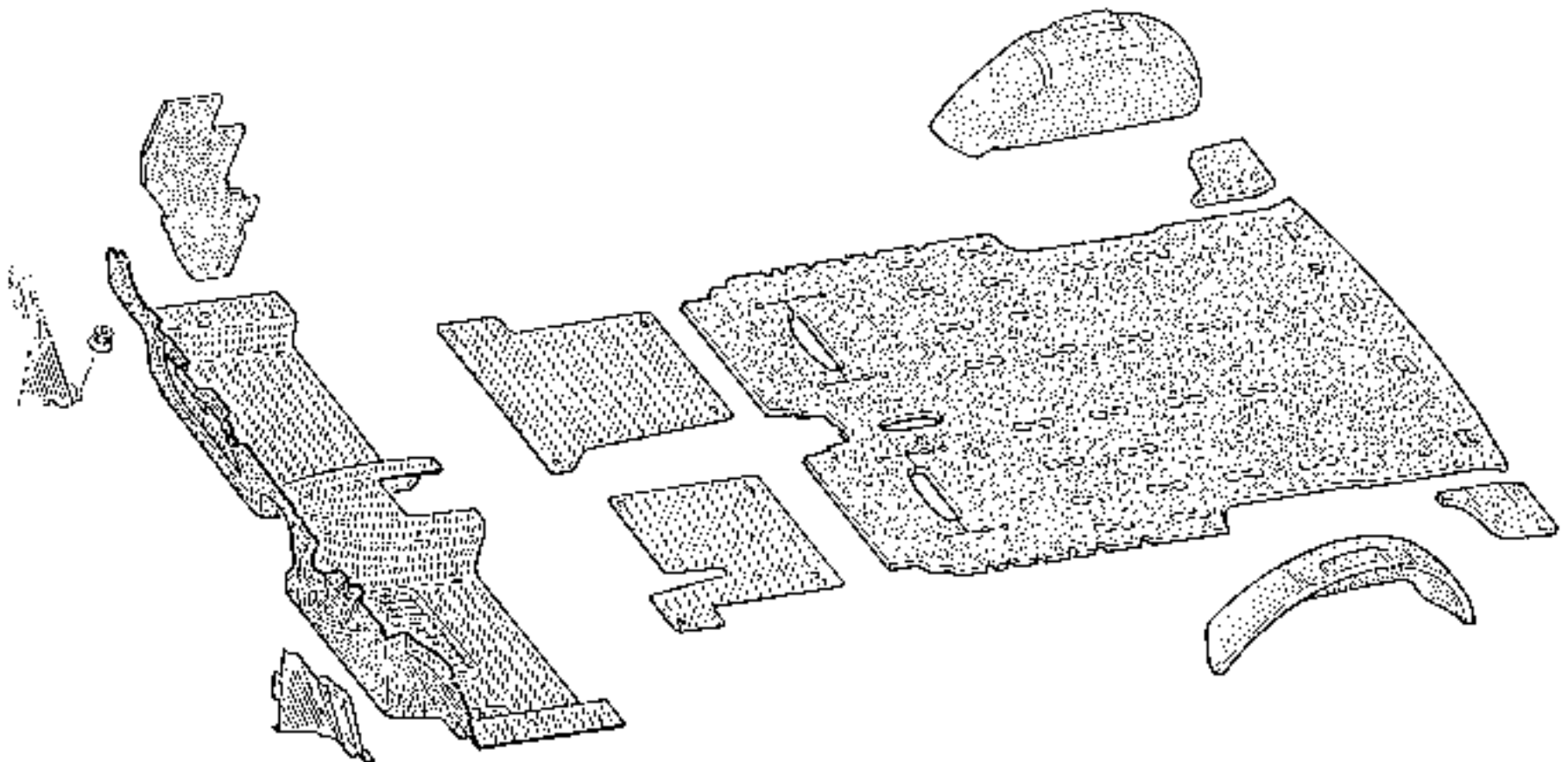
PRA6402

- 1 Front left hand door frame slide
- 2 Rear left hand door frame slide
- 3 Front right hand door frame slide
- 4 Rear right hand door frame slide

The position of the corners (A) and (B) must be observed when refitting the door slides.



PRA6801



PRA6802

In all cases of removal, all the various plugs and foam sections must be refitted correctly to ensure the vehicle is soundproofed as it was originally.